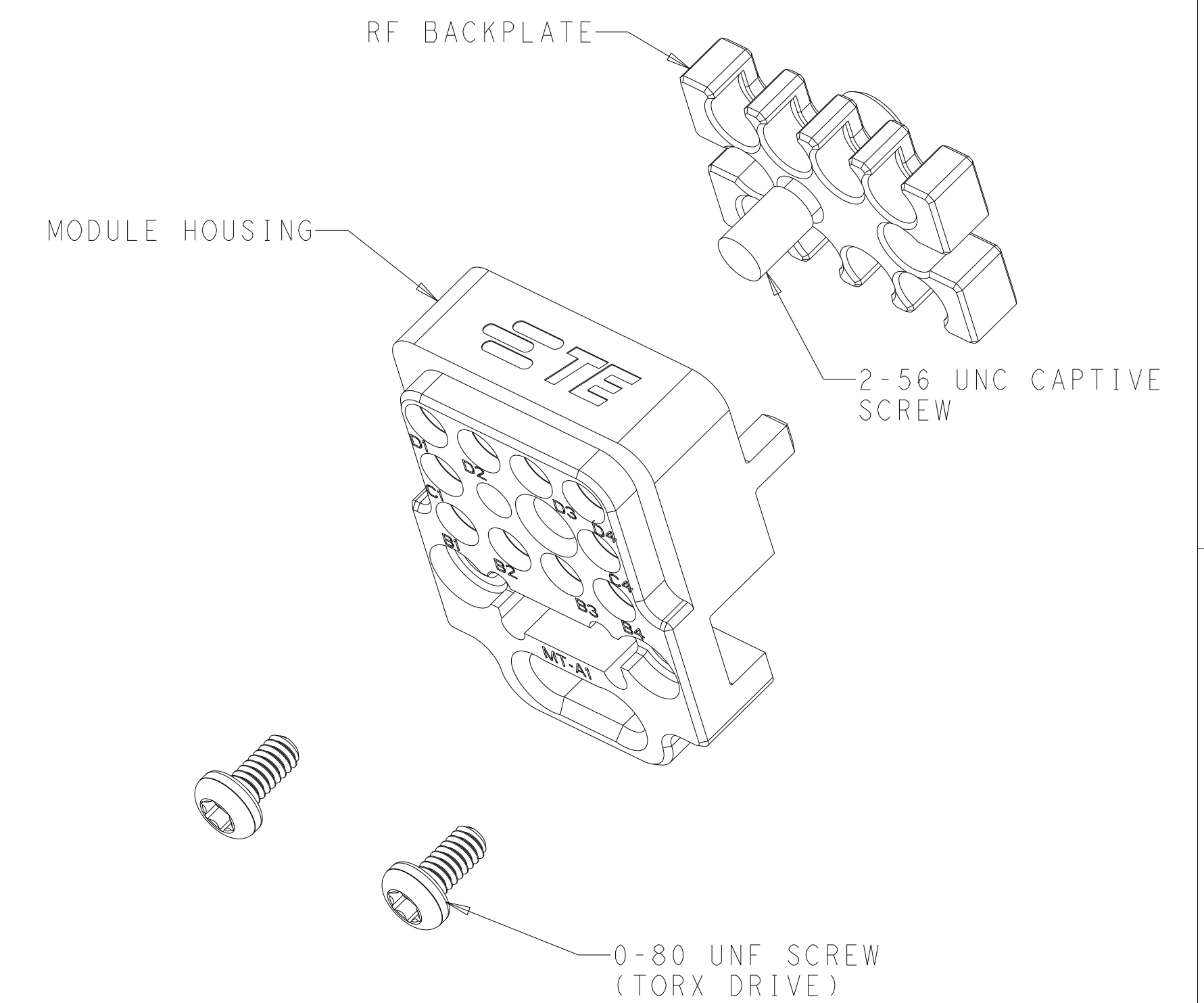
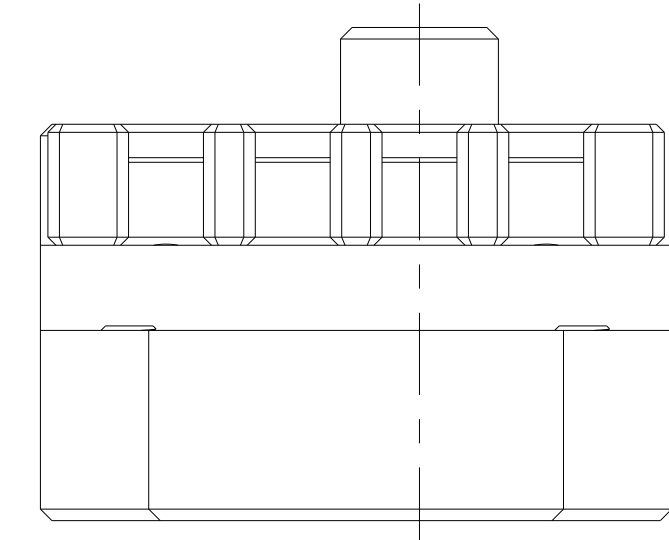
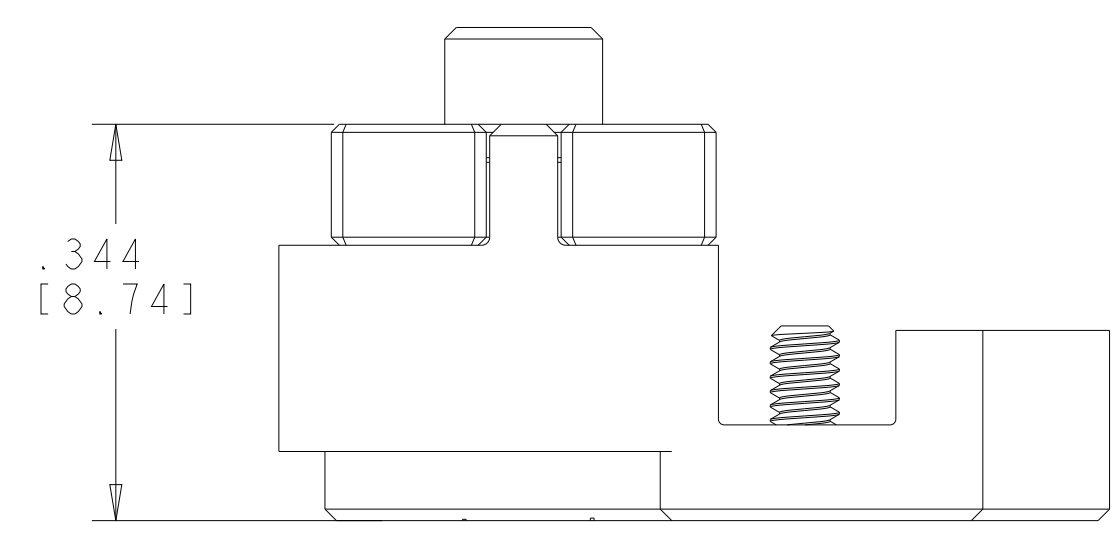
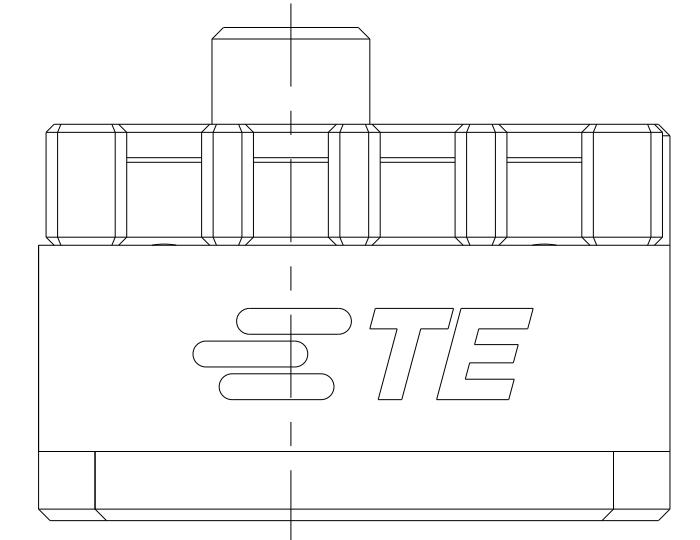
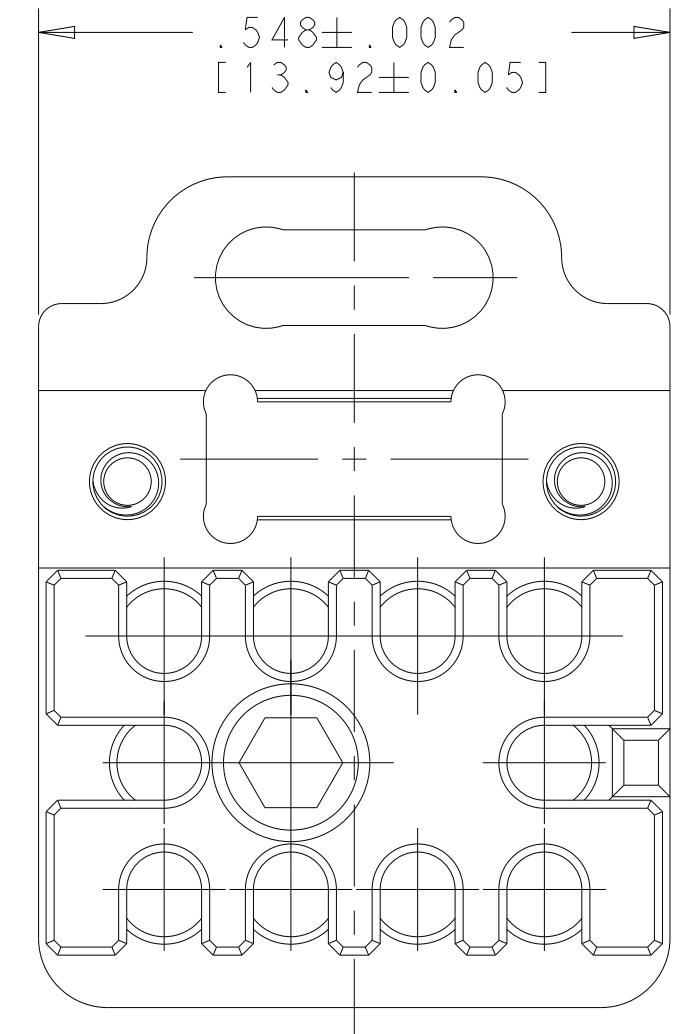
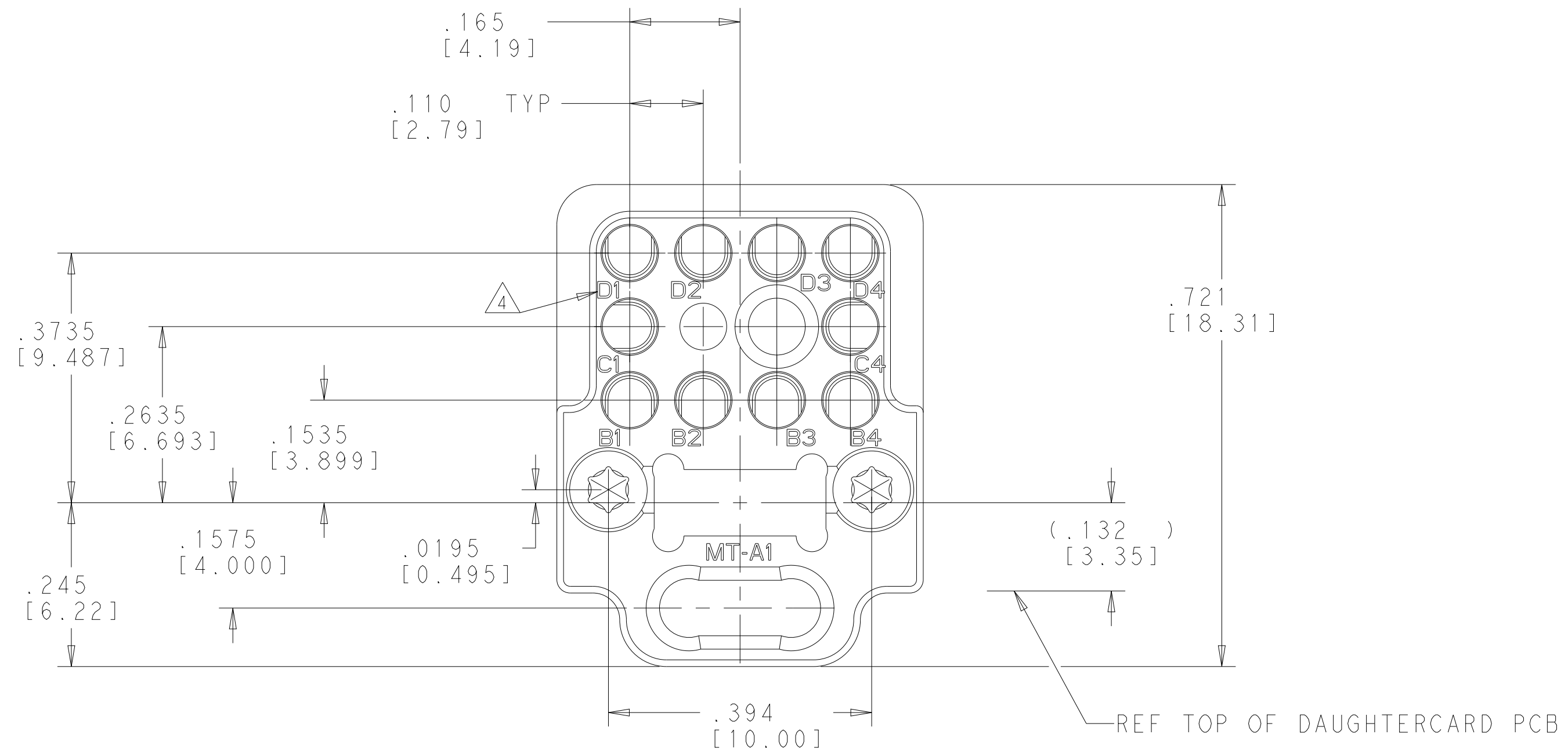


LOC	DIST	REV	DESCRIPTION	DATE	DMN	APVD
-	-	1				
		2	.394 WAS .409 (ZONE A7)	16DEC2019	KM	CG
		3	ADD COMPATIBLE TRANSCEIVER P/N'S	11JUN2020	KM	CG
		4	ADD ADD'L ALIGNMENT	16SEP2020	KM	CG
		5	.774[19.66] WAS .780[19.81]	16OCT2022	KM	FB



SCALE 5:1



- ⚠ MATERIAL:  
MODULE HOUSING AND BACKPLATE - ALUMINUM ALLOY  
SCREW - 300 SERIES STAINLESS STEEL
- ⚠ FINISH:  
MODULE HOUSING AND BACKPLATE - CLEAR CHROMATE CONVERSION COATING  
SCREW - PASSIVATED
- 3. SHIPPED IN KIT FORM. CAPTIVE SCREW TO BE PRE-ASSEMBLED TO MODULES.
- ⚠ CIRCUIT IDENTIFICATION MARKING
- 5. DESIGNED TO BE USED WITH NanoRF CONTACTS 2302339-1 AND MT TRANSCEIVER WITH INTERPOSER COMPATIBLE WITH VITA 66.5.  
COMPATIBLE TRANSCEIVER TE PART NUMBERS INCLUDE:  
2367559-X  
2374161-X  
2374798-X  
SEE TRANSCEIVER DOCUMENTATION FOR THE INTERPOSER PART NUMBER REQUIRED.
- ⚠ PRODUCT SPEC:  
NanoRF: 108-163006  
MT FIBER OPTIC: TBD
- ⚠ APPLICATION SPEC:  
NanoRF: 408-163016  
MT FIBER OPTIC: TBD

2313388-1  
PART NUMBER

THIS PRINT IS  
**PRELIMINARY**  
UNQUALIFIED PRODUCT  
CONTACT PRODUCT ENGINEERING  
BEFORE USING THIS PRINT

THIS DRAWING IS A CONTROLLED DOCUMENT.		DMN K. MILLER 08JUL2019	TE Connectivity	
DIMENSIONS: INCHES/mm		CHK C. GINGRICH 03SEP2019	NAME	
TOLERANCES UNLESS OTHERWISE SPECIFIED:		APVD	PRODUCT SPEC	
0 PLC	±	PRODUCT SPEC	APPLICATION SPEC	
1 PLC	±	PRODUCT SPEC	APPLICATION SPEC	
2 PLC	±	PRODUCT SPEC	APPLICATION SPEC	
3 PLC	±.005[0.13]	PRODUCT SPEC	APPLICATION SPEC	
4 PLC	±	PRODUCT SPEC	APPLICATION SPEC	
ANGLES	±	PRODUCT SPEC	APPLICATION SPEC	
FINISH	±	PRODUCT SPEC	APPLICATION SPEC	
MATERIAL	⚠	WEIGHT	SIZE	CAGE CODE
	⚠		A1	00779
	⚠		Customer Drawing	SCALE 6:1
	⚠			SHEET 1 OF 2
	⚠			REV 5

REVISIONS							
LOC	DIST	P	LTN	DESCRIPTION	DATE	DWN	APVD
-	-	-	-	SEE SHEET 1	-	-	-



REQUIRED TRANSCEIVER MOUNTING LOCATION  
SEE TRANSCEIVER DOCUMENTATION FOR SPECIFIC  
MOUNTING DETAILS

THIS DRAWING IS A CONTROLLED DOCUMENT.		DWN K. MILLER 08JUL2019	TE Connectivity
DIMENSIONS: INCHES/mm		CHK C. GINGRICH 03SEP2019	
TOLERANCES UNLESS OTHERWISE SPECIFIED:		APVD	NAME
0 PLC ±	1 PLC ±	PRODUCT SPEC	CONNECTOR KIT, PLUG, D-CARD, 10 POS NanoRF, TRANSCEIVER, MT, VITA 66.5-STYLE C VARIANT
2 PLC ±	3 PLC ±	APPLICATION SPEC	
4 PLC ±	ANGLES ±	WEIGHT	SIZE
FINISH		Customer Drawing	A100779C=2313388
		SCALE	SHEET 2 OF 2
		REV	5