

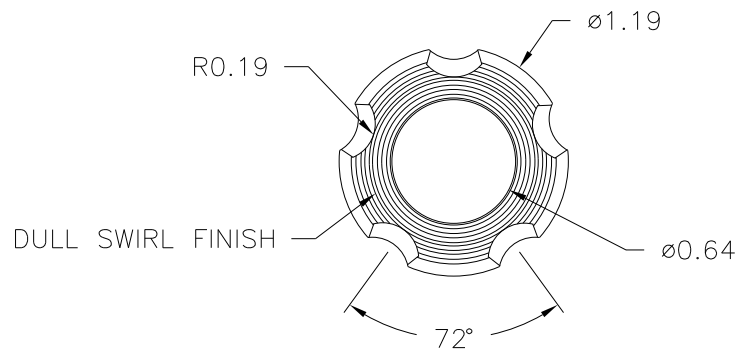
PART NAME: KNOB SCALE: 1:1 DATE: 8/18/82 DR. BY JC

THIS DRAWING IS THE PROPERTY OF DAVIES MOLDING COMPANY, IS SUBMITTED SOLELY AS A DESIGN OR ENGINEERING PROJECT. WE ACCEPT NO RESPONSIBILITY WHATSOEVER FOR THE PRACTICAL APPLICATION OF THE PIECES MADE TO THIS DESIGN.

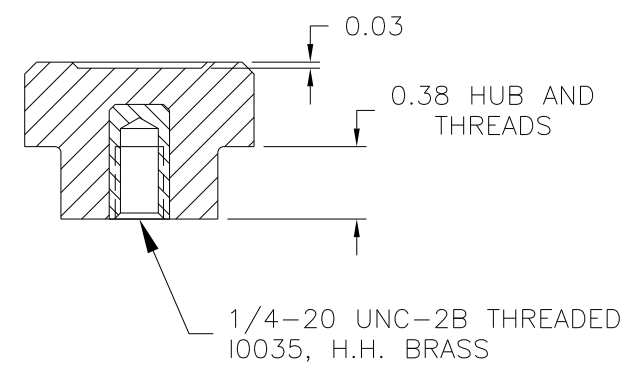
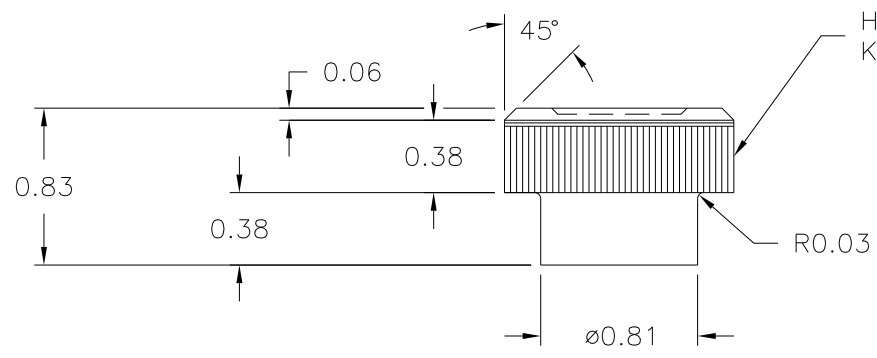


DESIGNERS & MANUFACTURERS OF KNOBS, HANDLES, CASES & CUSTOM PLASTIC COMPONENTS

P/N	2860
M ^{NO.}	3025-2
CAVITY	2860
PLUNGER	2860
CAVITY PLUG	2860
PLUNGER PIN	2860
PIN	3025-2
SHIM	.008
INSERT	I0035
CAVITY KEY	1/4+1/4+1/2
PLUNGER KEY	1/4+1/4+1/2



NOTE: MUST USE 3025-2 FRAME



MATERIAL: #4311 PLENCO PHENOLIC (B41)
COLOR: BLACK

TOLERANCES: UNLESS OTHERWISE SPECIFIED	DO NOT SCALE DRAWING	-	RE-DID REDRAW	TL	11/22/99
DECIMALS: X.XXX ± .005 X.XX ± .015	MM: X.XX ± 0.15MM X.X ± 0.4MM	-	UPDATED DWG	HD	2/14/97
FRACTIONS ± 1/64	ANG. ± 1°	-	CAD REDRAW	HD	10/29/92
CHANGES					