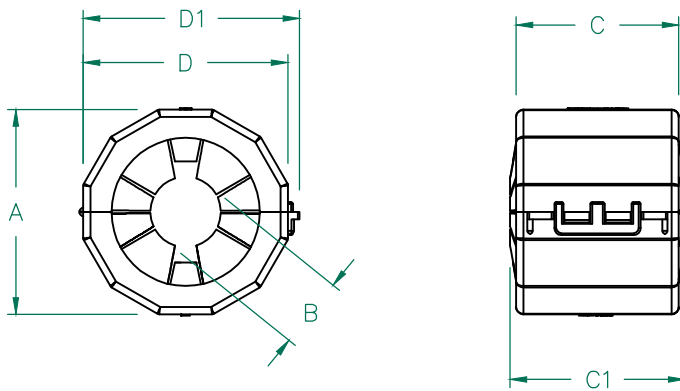


CORE DIMENSIONS:

A	71.80 [2.827]	+/-	0.80 [.031]
B	39.00 [1.535]	+/-	0.80 [.031]
C	46.00 [1.811]	+/-	0.80 [.031]
D	35.90 [1.413]	+/-	0.40 [.016]

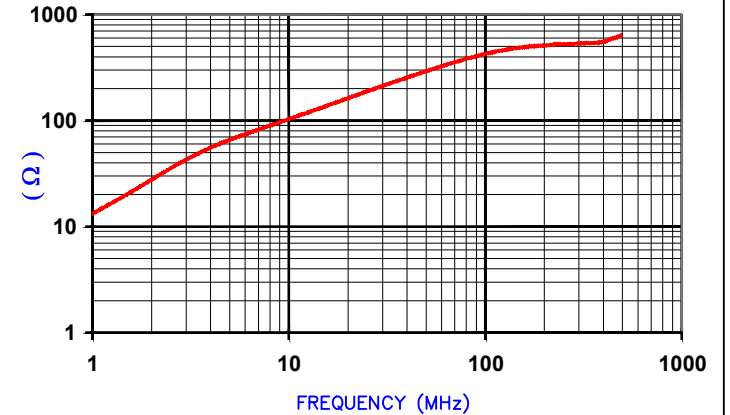


CASE DIMENSIONS:

A	77.14 [3.037]	+/-	REF.
B	30.00 [1.181]	+/-	REF.
C	51.33 [2.021]	+/-	REF.
C1	54.67 [2.152]	+/-	REF.
D	77.14 [3.037]	+/-	REF.
D1	80.33 [3.163]	+/-	REF.

IMPEDANCE (Z)			
Frequency	25 MHz	100 MHz	300 MHz
Nominal (REF)	187 Ω	425 Ω	533 Ω
Minimum	- Ω	340 Ω	- Ω

Z vs. FREQUENCY
(REF. ONLY)



AGILENT E4991A Impedance/Material Analyzer
HP 16092A-Test Fixture. TEST REF. 5108

NOTES: UNLESS OTHERWISE SPECIFIED

1. CASE MATERIAL: Technyl B 50H1

DIMENSIONS ARE IN mm [INCHES].				This print is the property of Laird Tech. and is loaned in confidence subject to return upon request and with the understanding that no copies shall be made without the written consent of Laird Tech. All rights to design or invention are reserved.		Laird	
PROJECT/PART NUMBER:				REV	PART TYPE:	DRAWN BY:	
28A2827-0A2				A	FERRITE SNAP-ON	QIU	
DATE:				SCALE:	MATERIAL:		
03/04/13				N.T.S.	Ferrite		
REV	DESCRIPTION	DATE	INT	CAD #	TOOL #		
A	ORIGINAL DRAFT	03/04/13	QIU	28A2827-0A2-A	-		