



circuit breaker 3VA5 UL frame 250 3-pole, starter protection TM120M, AM, In=150A without overload protection short-circuit protection li=6...12 x In nut keeper kit on both sides

| Model  |                             |
|--|-----------------------------|
| product brand name   | SENTRON                     |
| product designation  | Molded-case circuit breaker |
| product designation / according to UL file   | CFAP                        |
| Product version  | Starter protection          |
| design of the load switch / according to UL 489 / Heating, Air Conditioning, and Refrigeration circuit breaker (HACR Type) | Yes                         |
| design of the load switch / according to UL 489 / High-Intensity-Discharge circuit breaker (HID Type)                      | No                          |
| design of the load switch / according to UL 489 / Switching Duty circuit breaker (SWD Type)                                | No                          |
| design of the overcurrent release  | TM120M                      |
| protection function of the overcurrent release   | I                           |
| number of poles  | 3                           |
| General technical data   |                             |
| rated insulation voltage Ui  | 800 V                       |
| operating voltage / at AC / rated value  | 690 V                       |
| power loss [W] / maximum   | 19.6 W                      |
| Active power loss / for rated value of the current / at AC / in hot operating state / per pole                             | 6.53 W                      |
| mechanical service life (switching cycles) / typical   | 20 000                      |
| Electrical endurance (switching cycles) / at AC-1 / at 380/415 V 50/60 Hz  | 8 000                       |
| Electrical endurance (switching cycles) / at AC-1 / at 690 V 50/60 Hz  | 4 000                       |
| electrical endurance (switching cycles) / at 480 V   | 8 000                       |
| electrical endurance (switching cycles) / at 600 V   | 4 000                       |
| Neutral conductors / upgradeable/retrofitable  | No                          |
| ground-fault monitoring version  | without                     |
| product function   |                             |
| • communication function   | No                          |
| • phase failure detection  | No                          |
| • other measurement function   | No                          |
| Net Weight   | 2.192 kg                    |
| Current  |                             |
| marking / according to UL 489 / 100%-rated breaker   | No                          |
| operational current  |                             |
| • at 40 °C   | 150 A                       |
| • at 45 °C   | 150 A                       |
| • at 50 °C   | 150 A                       |

|  |  |                                  |
|--|--|----------------------------------|
| <ul style="list-style-type: none"> <li>• at 55 °C</li> <li>• at 60 °C</li> <li>• at 65 °C</li> <li>• at 70 °C</li> </ul>   | 150 A<br>150 A<br>150 A<br>150 A   |                                  |
| <b>Switching capacity according to IEC 60947</b>   |  |                                  |
| breaking capacity maximum short-circuit current (Icu) <ul style="list-style-type: none"> <li>• at 240 V</li> <li>• at 415 V</li> <li>• at 690 V</li> </ul>   | 200 kA<br>110 kA<br>10 kA  |                                  |
| breaking capacity operating short-circuit current (Ics) <ul style="list-style-type: none"> <li>• at 240 V</li> <li>• at 415 V</li> <li>• at 690 V</li> </ul>   | 200 kA<br>110 kA<br>10 kA  |                                  |
| short-circuit current making capacity (Icm) <ul style="list-style-type: none"> <li>• at 240 V</li> <li>• at 415 V</li> <li>• at 690 V</li> </ul>   | 440 kA<br>242 kA<br>17 kA  |                                  |
| design of short-circuit protection   | For switching power values in DC networks, see the 3VA molded case circuit breaker device manual; link to be found under Service & Support in the last chapter |                                  |
| <b>Adjustable parameters</b>   |  |                                  |
| Ground fault protection / tripping switchable / I2t=ON/OFF   | No   |                                  |
| <b>Mechanical Design</b>   |  |                                  |
| height [in]  | 7.28 in  |                                  |
| Height   | 185 mm   |                                  |
| width [in]   | 4.13 in  |                                  |
| Width  | 105 mm   |                                  |
| depth [in]   | 3.27 in  |                                  |
| depth  | 83 mm  |                                  |
| <b>Connections</b>   |  |                                  |
| arrangement of electrical connectors / for main current circuit  | Front connection   |                                  |
| type of electrical connection / for main current circuit   | nut keeper kit on both ends  |                                  |
| Type of connectable conductor cross-section, connection screw, width x thickness , min.  | 13 x 1 mm  |                                  |
| Type of connectable conductor cross-section, connection screw, width x thickness , max.  | 25 x 8 mm  |                                  |
| design of the surface / of the connections / on the bottom of the switch (N, 2, 4, 6)  | silver   |                                  |
| <b>Auxiliary circuit</b>   |  |                                  |
| product component <ul style="list-style-type: none"> <li>• undervoltage release</li> <li>• voltage trigger</li> <li>• trip indicator</li> </ul>  | No<br>No<br>No   |                                  |
| number of CO contacts / for auxiliary contacts   | 0  |                                  |
| <b>Accessories</b>   |  |                                  |
| product extension / optional / motor drive   | Yes  |                                  |
| <b>Environmental conditions</b>  |  |                                  |
| protection class IP / on the front   | IP40   |                                  |
| ambient temperature <ul style="list-style-type: none"> <li>• during operation / minimum</li> <li>• during operation / maximum</li> <li>• during storage / minimum</li> <li>• during storage / maximum</li> </ul> | -25 °C<br>70 °C<br>-40 °C<br>80 °C   |                                  |
| <b>Certificates</b>  |  |                                  |
| reference code / according to IEC 81346-2  | Q  |                                  |
| certificate of suitability / as approval for NAVAL (no combat vessels) / supplement SB   | Yes  |                                  |
| <b>General Product Approval</b>  | <b>EMC</b>   | <b>Declaration of Conformity</b> |



[Confirmation](#)



EG-Konf.

Marine / Shipping

other



[Miscellaneous](#)

### Further information

Information- and Downloadcenter (Catalogs, Brochures,...)

<http://www.siemens.com/lowvoltage/catalogs>

Industry Mall (Online ordering system)

<https://mall.industry.siemens.com/mall/en/en/Catalog/product?mlfb=3VA5215-1MH32-0AA0>

Service&Support (Manuals, Certificates, Characteristics, FAQs,...)

<https://support.industry.siemens.com/cs/ww/en/ps/3VA5215-1MH32-0AA0>

Image database (product images, 2D dimension drawings, 3D models, device circuit diagrams, ...)

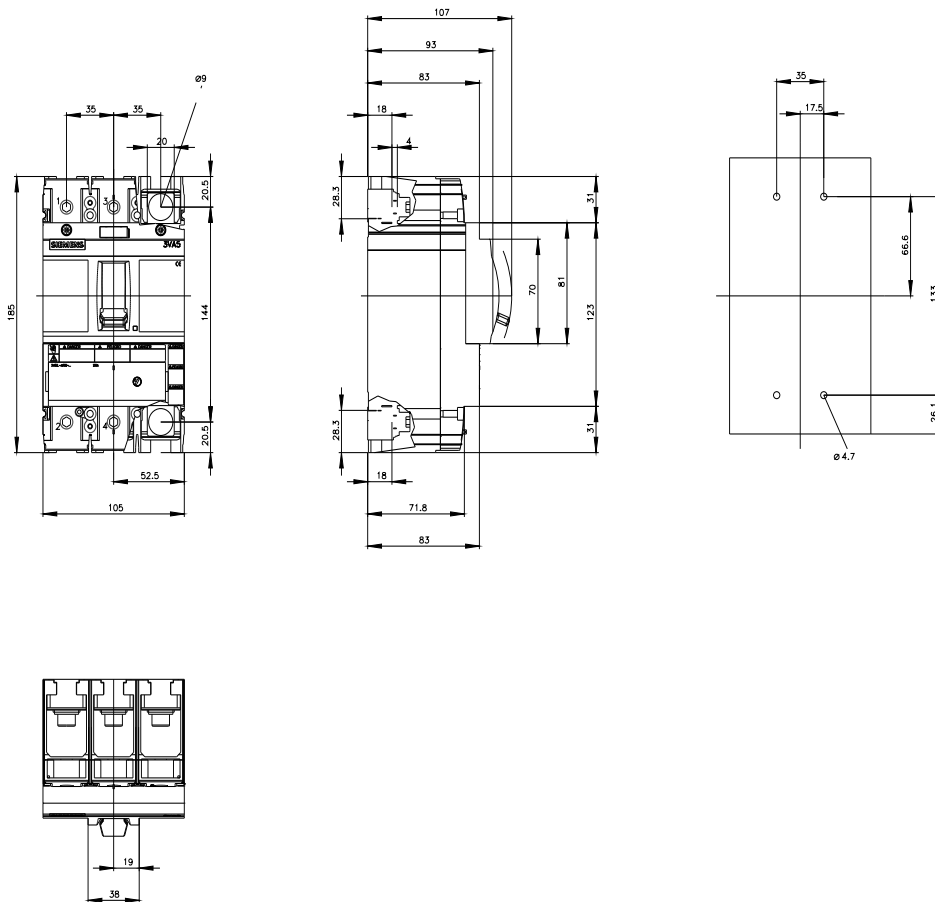
[http://www.automation.siemens.com/blddb/cax\\_en.aspx?mlfb=3VA5215-1MH32-0AA0](http://www.automation.siemens.com/blddb/cax_en.aspx?mlfb=3VA5215-1MH32-0AA0)

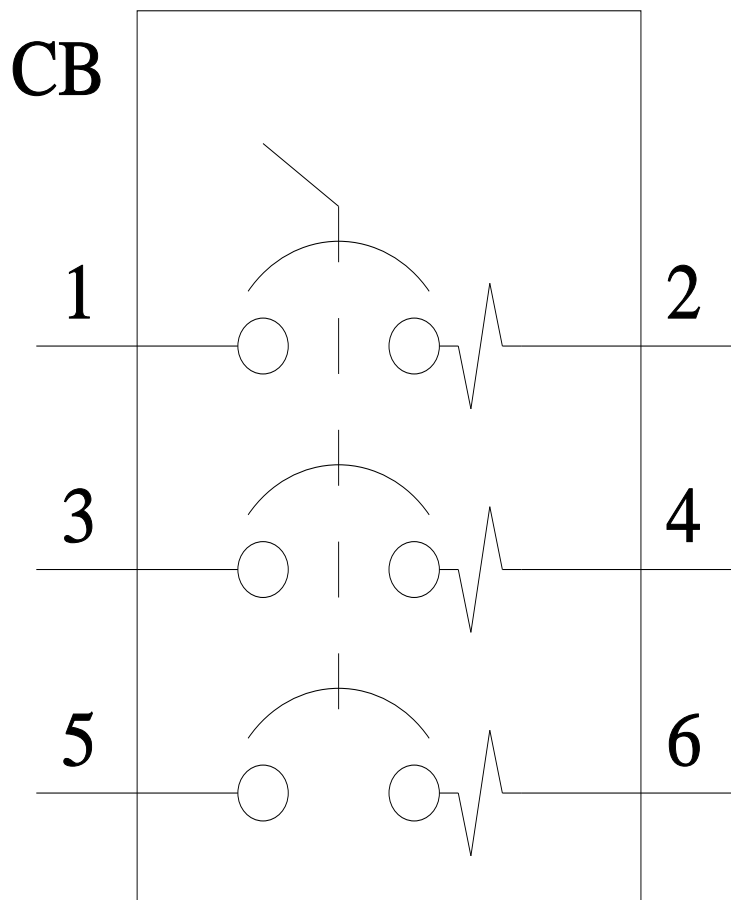
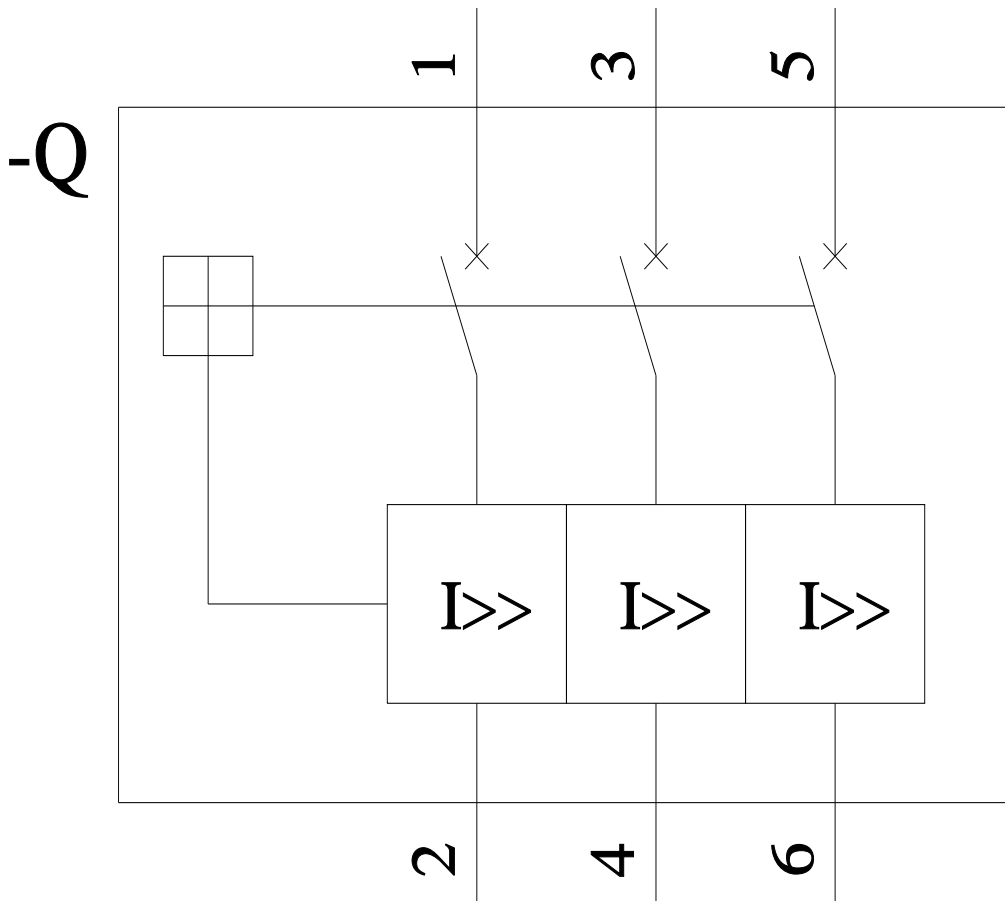
CAX-Online-Generator

<http://www.siemens.com/cax>

Tender specifications

<http://www.siemens.com/specifications>





last modified:

7/15/2022

