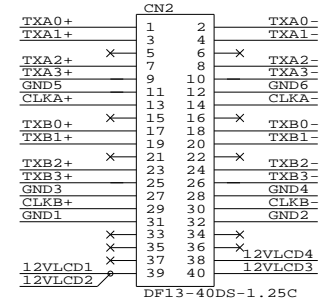
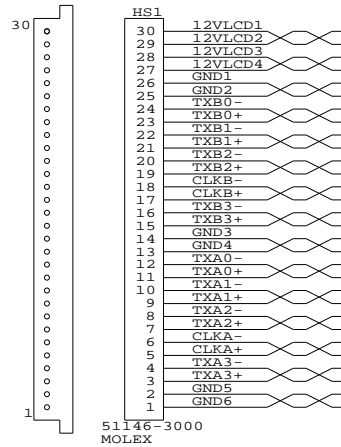
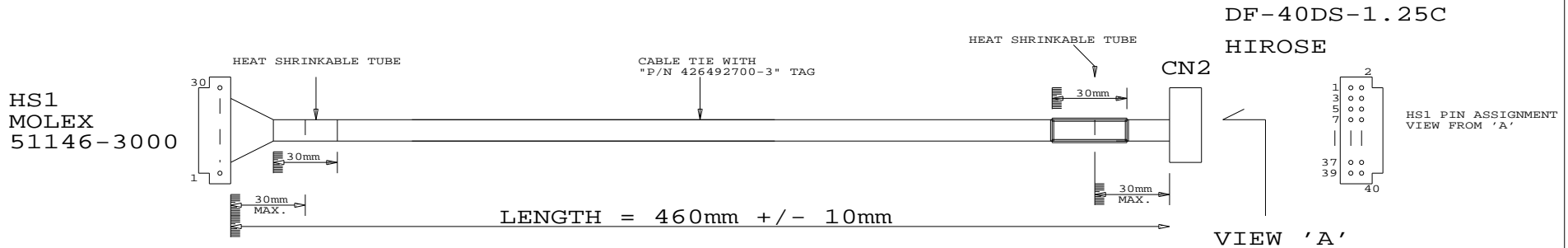


CONNECTION DIAGRAM:

TOLERANCE:  
+1.0mm  
-1.0mm



PANEL SIDE



CABLE: SHIELDED ROUND  
UL 20276, 15 PAIRS, 30AWG, L=460mm  
JACKET: PVC COLOR BLACK

USAGE:  
CABLE FOR LG LM181E05-C3  
(WITH SVH-1920)

P/N 426492700-3  
LVDS PANEL CABLE: LG LM181E05-C3, 460mm

DIGITAL VIEW LTD. COPYRIGHT 2006, ALL RIGHTS RESERVED CONFIDENTIAL		
DRAWN BY: VICTOR NG		
Title	LVDS CBL: FOR LG LM181E5-C3, 460mm	
Size	Document Number	REV
B	(...\DV\DV_CABLE\C6492700.SCH)	00
Date:	May 3, 2006	Sheet 1 of 1