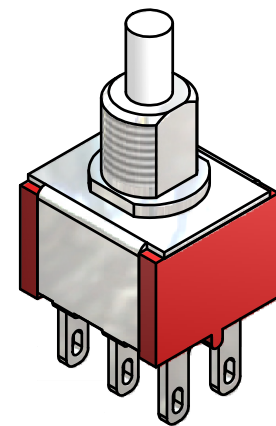
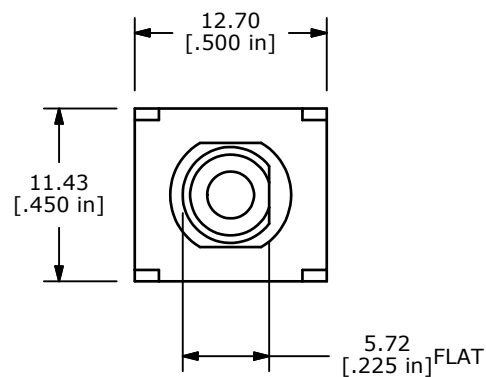
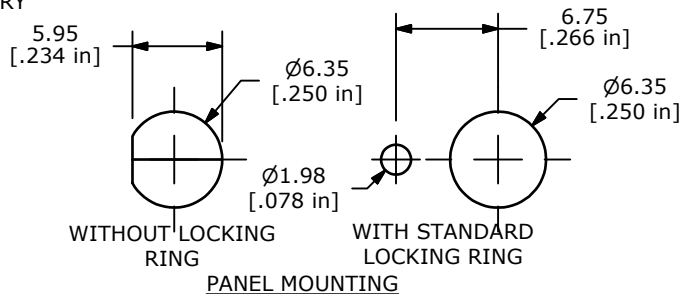
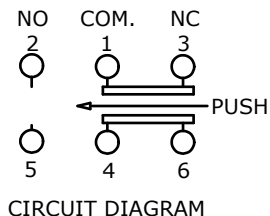
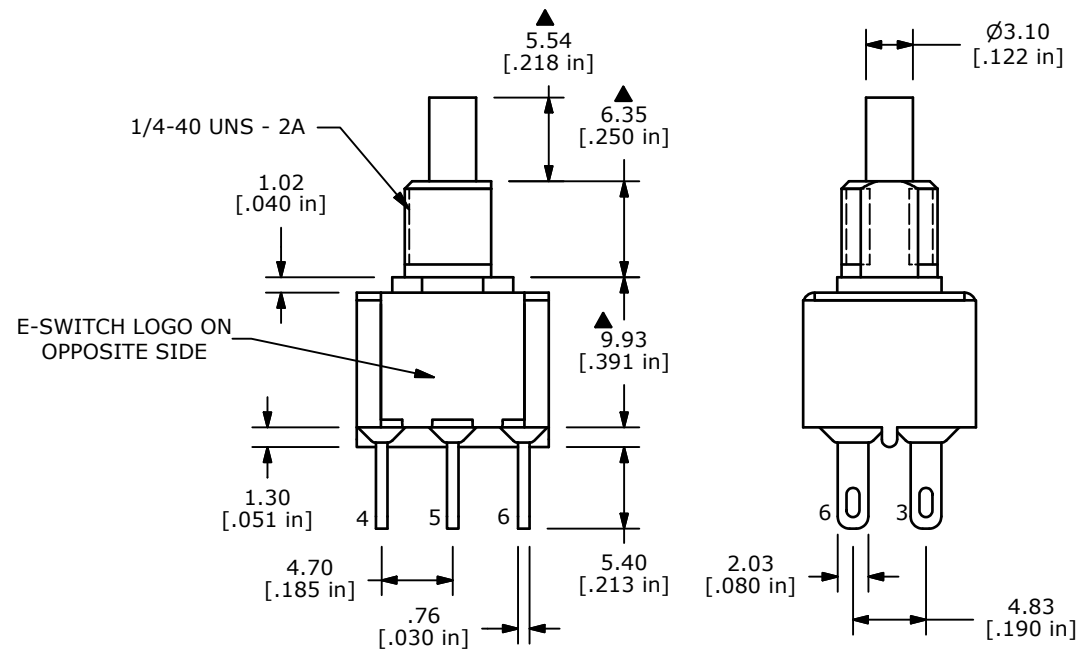


SWITCH FUNCTION	
POS. 1	POS. 2
ON	(ON)
1-3, 4-6	1-2, 4-5

(ON)=MOMENTARY



- NOTE:
1. ALL DIMENSIONS IN MM [INCH]
  2. GENERAL TOLERANCE: X.X=±0.4  
X.XX=±0.25
  3. TERMINAL NUMBERS FOR REF ONLY
  - ▲ 4. CONTACT MATERIAL: GOLD
  5. RATING: 0.4VA MAX. @ 20 VAC OR VDC MAX.
  6. ELECTRIC LIFE: 50,000 MAKE-AND-BREAK CYCLES AT FULL LOAD
  7. INSULATION RESISTANCE: 1,000 MEGA-OHM MIN.
  8. ACUATION FORCE: 300 ± 100gf
  - ▲ 9. TRAVEL: 1.0 ± 0.2mm
  10. CONTACT RESISTANCE: 20 mOHM MAX. TYPICAL @ 2-4 VDC
  11. DIELECTRIC STRENGTH: 1,000 V RMS @ SEA LEVEL.
  12. OPERATING TEMP.: -30°C to 85°C
  13. ▲ DENOTES CRITICAL PARAMETER.
  14. 2002/95/EC (ROHS) COMPLIANT.
  15. HARDWARE TO BE SHIPPED BULK  
T100000 - HEXNUT - QTY 2  
T100011 - LOCKWASHER - QTY 1  
T100002 - LOCKRING - QTY 1



REV	PCR NO	DESCRIPTION	DATE	BY
C	20041	DRAWING CLEAN-UP / UPDATE	6/30/11	BGL
B	17562	REVISED AMND REDRAWN	8/16/07	BF

THE INFORMATION CONTAINED IN THIS DOCUMENT IS PROPRIETARY TO E-SWITCH AND IS NOT TO BE COPIED OR TRANSFERRED

<b>E-SWITCH®</b>				
TITLE 700DP7B11M1REH				
SCALE	DATE	DR	DWG	REV
2:1	8/16/2007	BF	ST711063	C