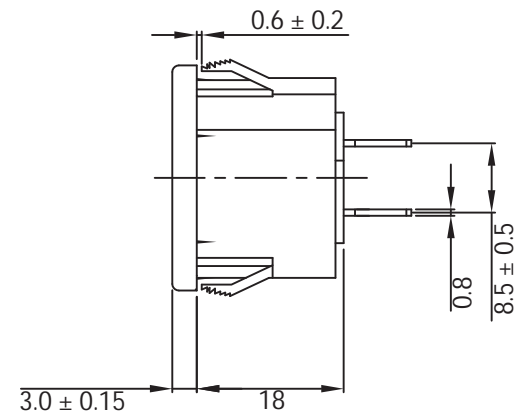
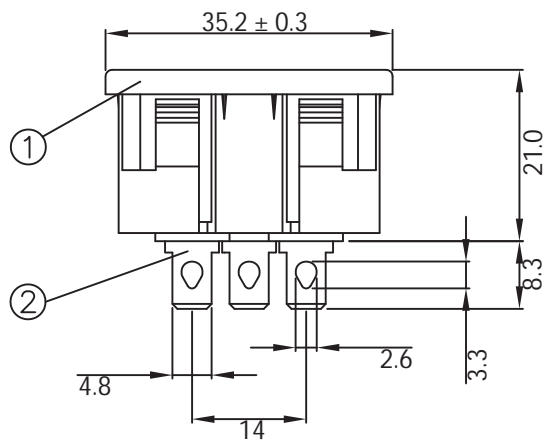
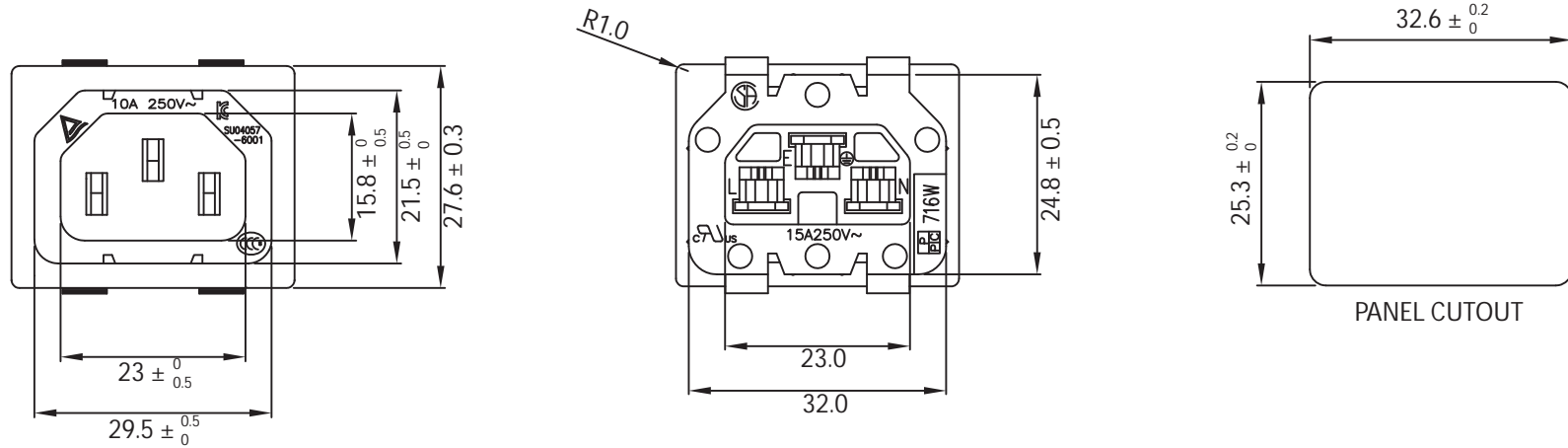


THESE DRAWINGS ARE THE PROPERTY OF QUALTEK ELECTRONICS AND NOT TO BE REPRODUCED FOR OR COMMUNICATED TO A THIRD PARTY WITHOUT THE EXPRESS WRITTEN PERMISSION OF AN OFFICER OF QUALTEK ELECTRONICS.

REVISION			
REV.	DESCRIPTION	DATE	APPROVED
B	RoHS Compliancy	06-01-06	DP
C	Updated Approvals and Notes	01-26-16	LY
D	Depth Change to meet UL 60320	11-26-18	LY



**CONTROLLED**

NOTES:

RATING:

UL, CSA: 15A 250V AC  
TUV, CCC: 10A 250V AC  
APPROVALS: UL, CSA, TUV, CCC  
PANEL THICKNESS: 0.8~2.0mm  
RoHS COMPLIANT

2	Contact PIN Brass Strip t=0.8mm Tin-Plated	3	
1	Body Insulator PC Black Color UL94V-0	1	
		<b>Qualtek Electronics Corp.</b>	
		PPC DIVISION	
		Part Number: <b>716W-X2/02</b> <span style="border: 1px solid green; padding: 2px;">RoHS Compliant</span>	
		Description: <b>AC RECEPTACLE</b>	
Dim range (mm)	Tolerance +/- (mm)		
0-1	0.40		
1-6	0.40		
6-18	0.50		
18-50	0.50		
50-120	0.70	UNIT: mm	REV. D
120-250	0.90	Drawn / Date	Checked / Date
250-500	1.20	B.ZHANG 07-14-05	07-14-05
		Approved / Date	JJH / 07-14-05