



ANATECH ELECTRONICS INC
RF & Microwave Filters & Products

Cavity Bandpass Filter

Part Number: AE1375B9072



Electrical specifications

Center Frequency: 1375 MHz
Bandwidth: 24 MHz
Input / Output Impedance: 50 Ohms
Passband: 1363-1387 MHz
Passband Insertion Loss: @ 1375 MHz: <3dB
Passband Ripple: <0.2 dB
Passband Return Loss: >14 dB
Rejection: >70dB @ 1200 MHz
Rejection 2: >70dB @ 1500 MHz
Power Handling: 40 W

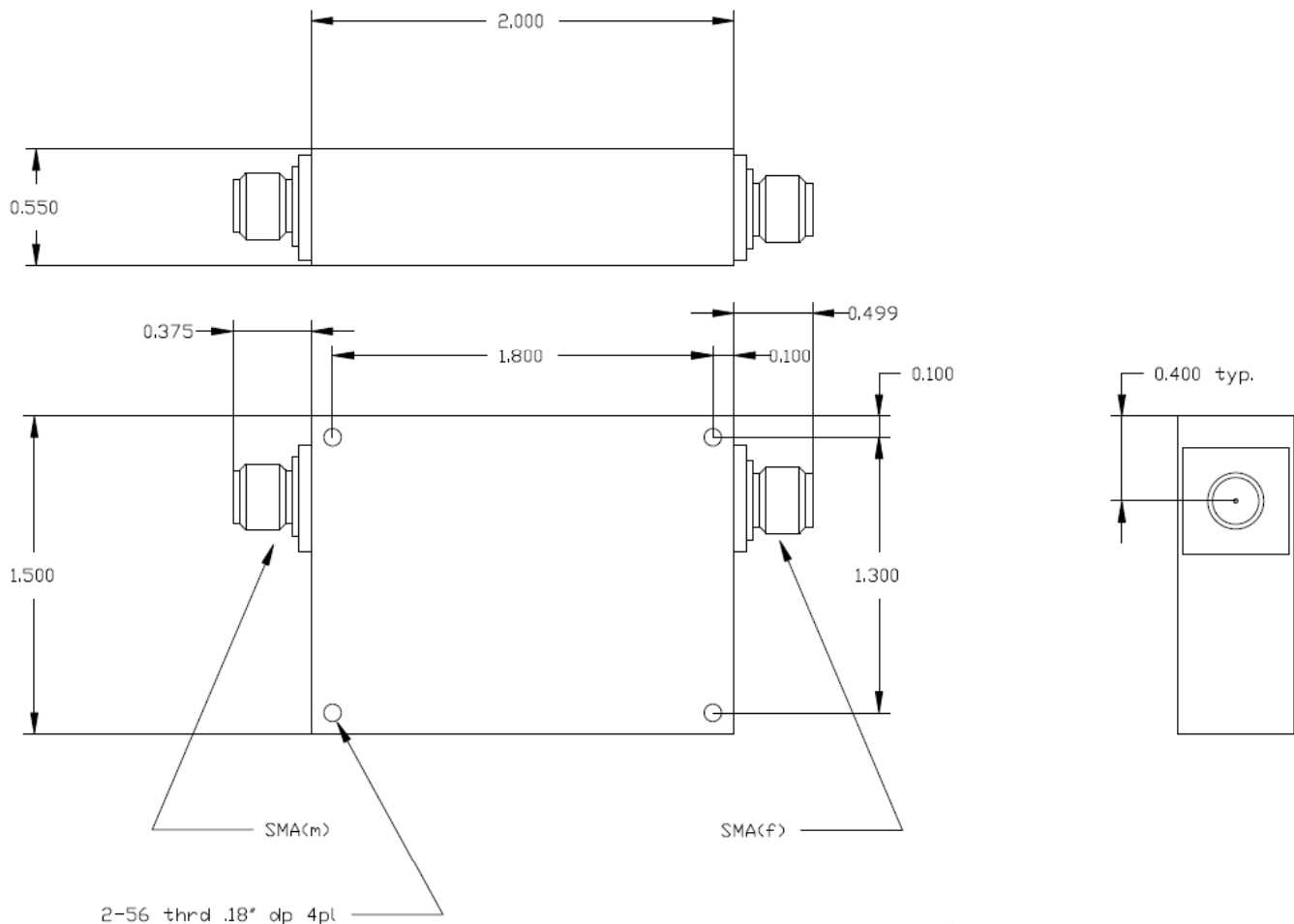
Mechanical

Mounting Method: Threaded Mounting Holes
Connector Type: SMA (M) and SMA (F)
Dimensions: 2" x 1.5" x .550"

Environmental

Operating Temperature: -45 to +85 deg.C
Storage Temperature: -55 to +95 deg.C
Shock: 20 G. 11ms
Vibration: 20 G. 5 to 200 MHz

Outline Drawing:





ANATECH ELECTRONICS INC
RF & Microwave Filters & Products

Cavity Bandpass Filter

Part Number: AE1375B9072



Response Plot:

