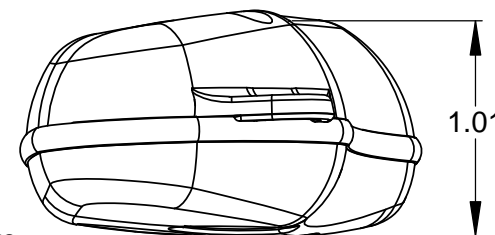
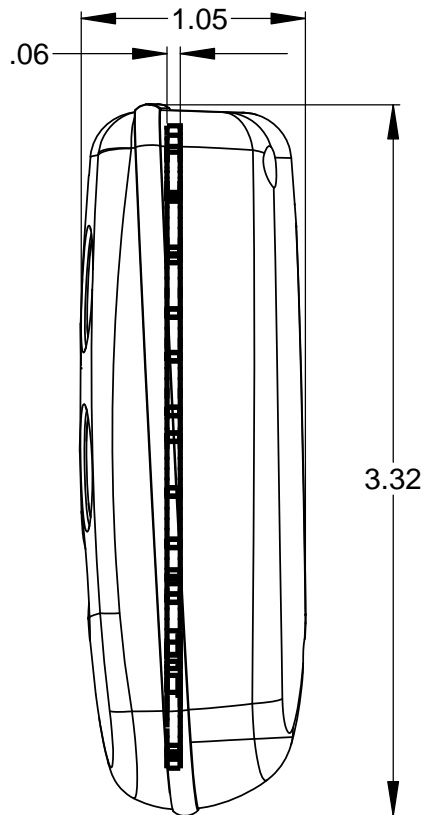
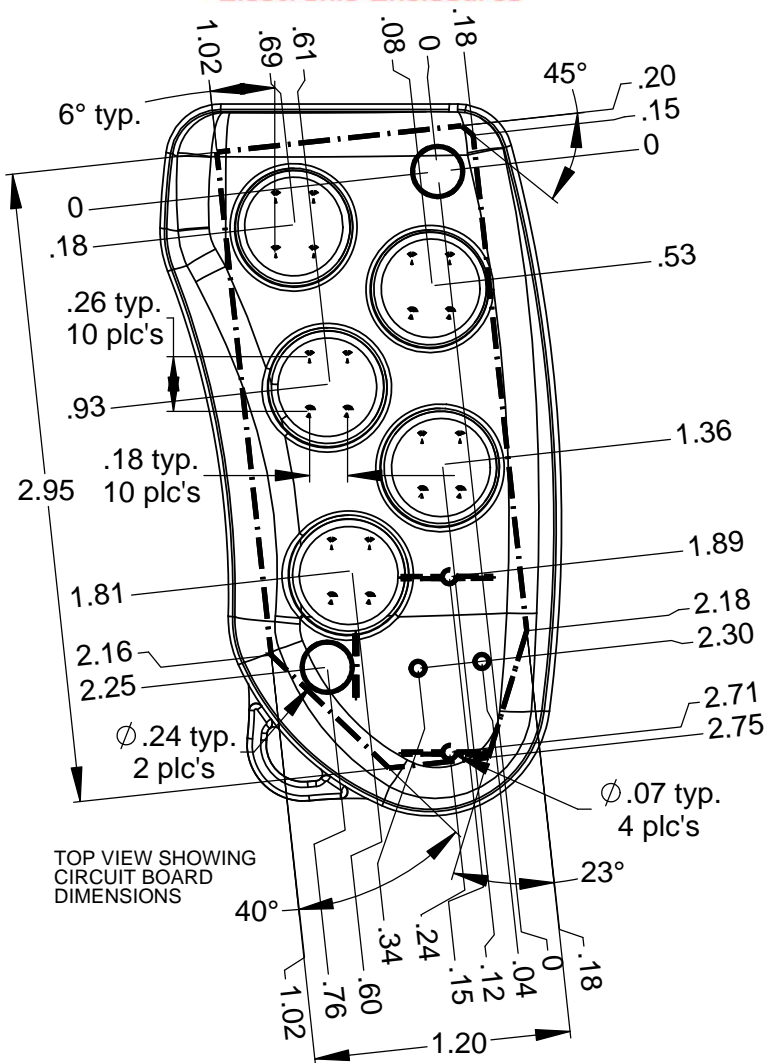


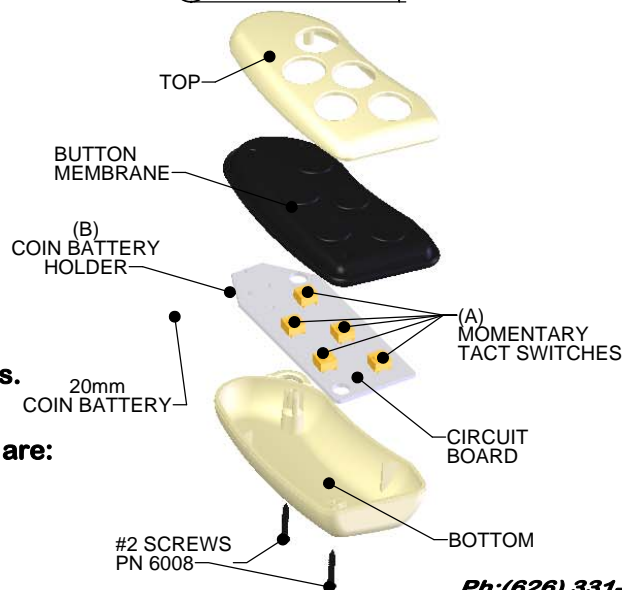
# SERPAC CA8B5 (5 button option)

Electronic Enclosures



## NOTES:

- 1) Serpac Provides the following components:  
Top, Bottom, Button Membrane, 9mm keyring and (2) #2 Screws.  
All components are shipped unassembled.
- 2) The switches characteristics recommended for this enclosure are:  
- 4.3 mm in height from mounting surface to top of push plate.  
- Operating force recommended is 1.6 N or more.
- 3) For battery contacts use:  
- for Coin battery Keystone 3003 positive and 2990 negative.



ALL DIMENSIONS ARE  $\pm .010''$  6/25/2013  
2009 Wright Ave, La Verne, CA 91750  
Ph: (626) 331-0517 Fx: (626) 331-8584 www.serpac.com