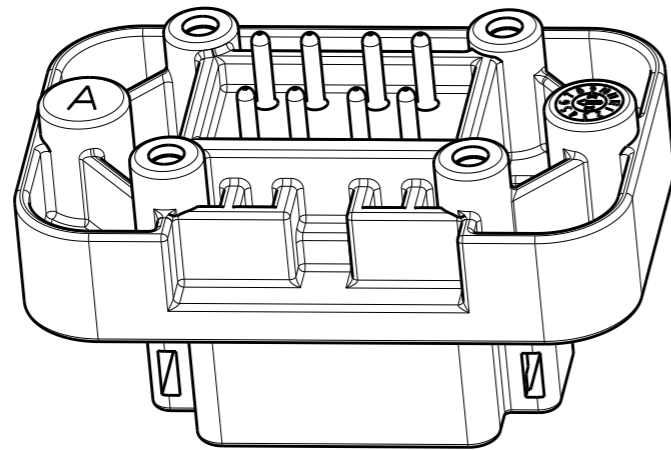
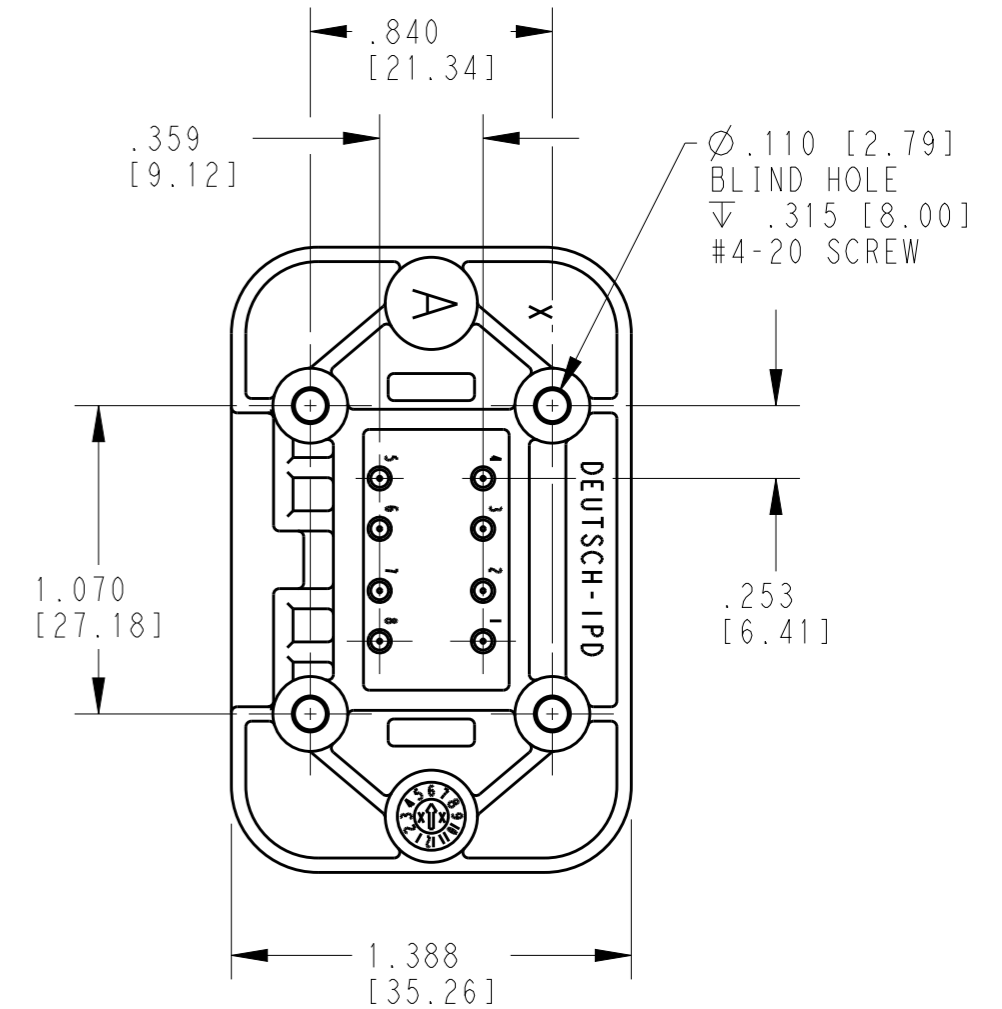
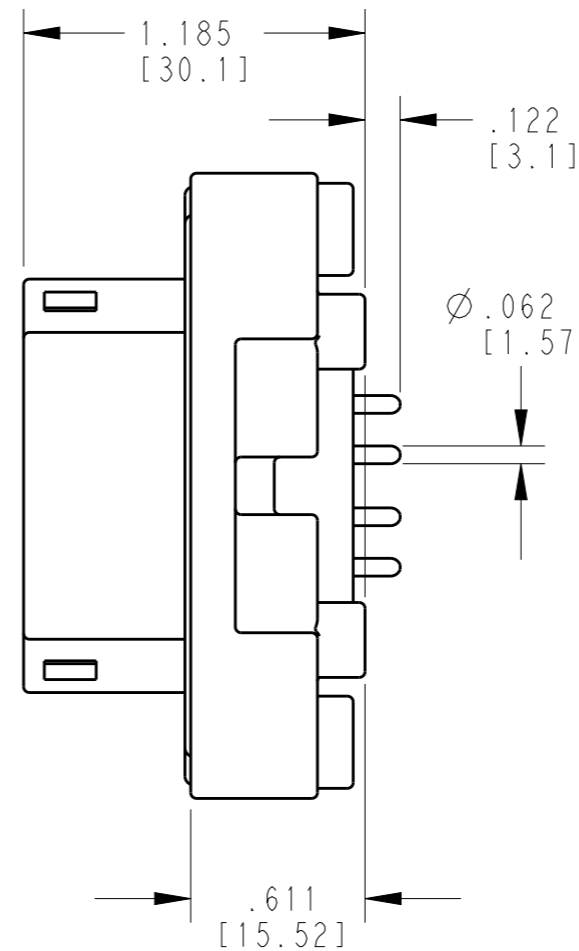
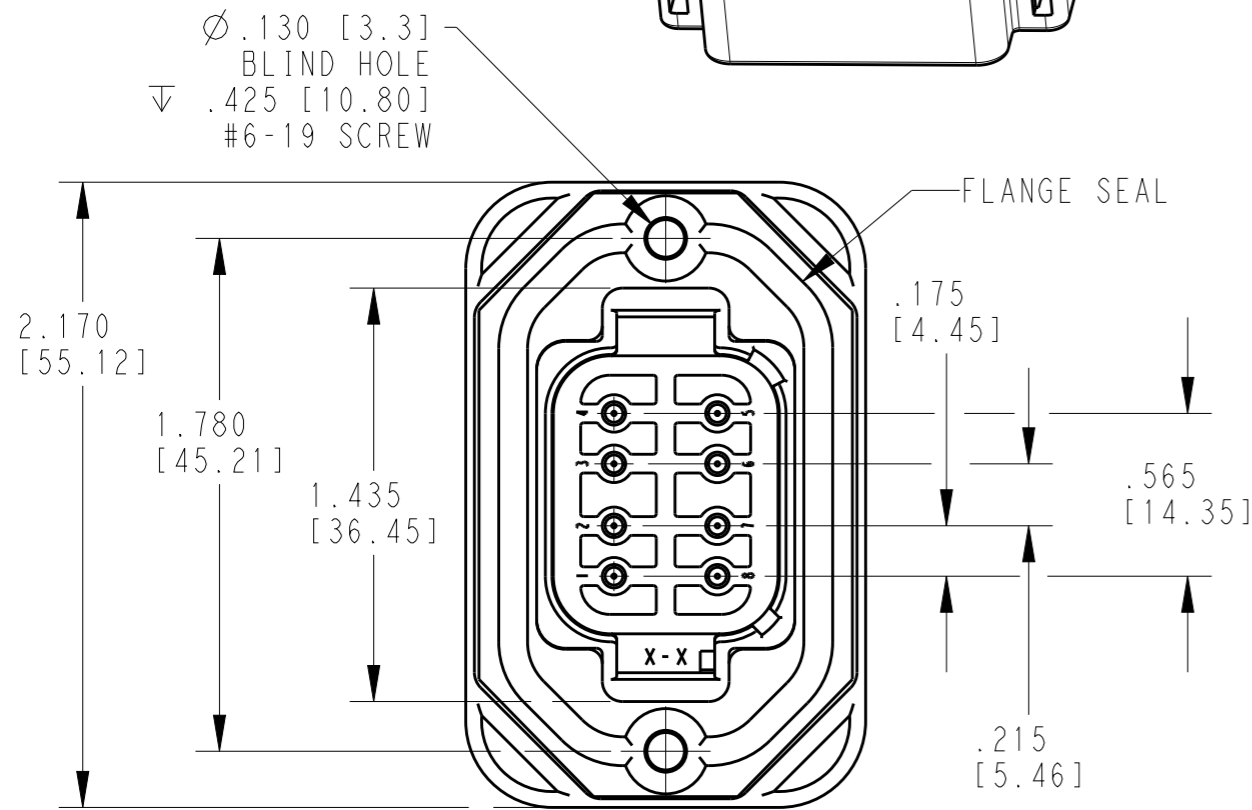


REVISIONS

P	LTR	DESCRIPTION	DATE	DWN	APVD
	E	REVISED PER PCN E-19-016091	17OCT2019	KP	DM



3D VIEW



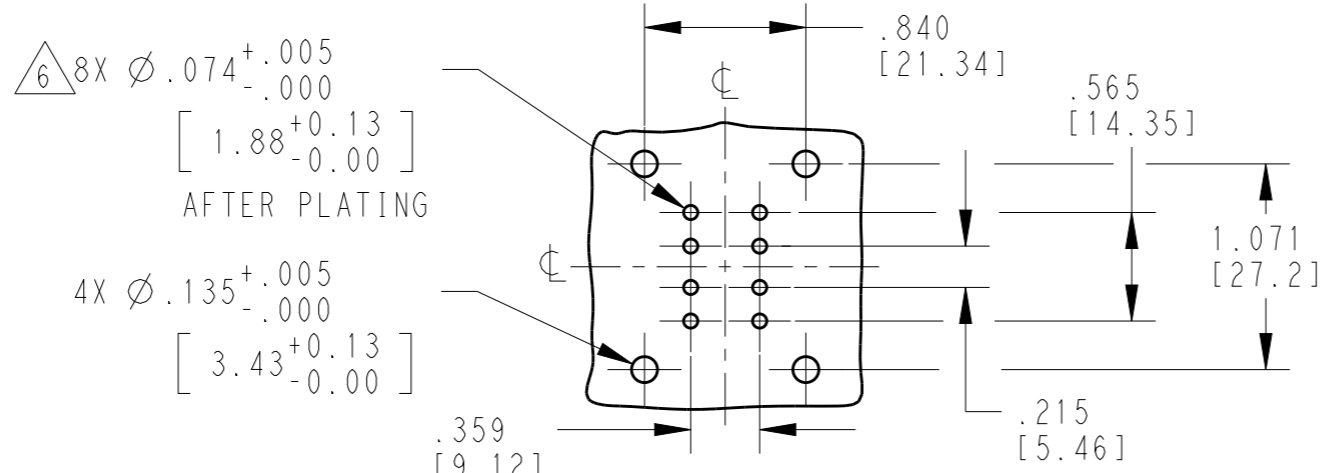
- 6 MINIMUM RECOMMENDED HOLE SIZE. CUSTOMER TO DETERMINE FINISHED HOLE SIZE BASED ON SOLDER PROCESS.
- 5. MOUNTING SCREW TORQUE VALUES ARE AS FOLLOWS:
 #6-19 SCREWS: 13 ± 2.0 IN-LB [$1.47 \pm .23$ N-M].
 #4-20 SCREWS: 8 ± 2.0 IN-LB [$.90 \pm .23$ N-M].
 VALUES VALID FOR PLASTITE 48 SCREWS ONLY.
- 4. RECOMMENDED MOUNTING SCREWS (NOT INCLUDED): CAMCAR PLASTITE 48.
- 3. THIS RECEPTACLE MATES WITH DT06-08SX-XXXX PLUG (XXXX = ALL MODIFICATIONS.)
- 2 SHELL MATERIAL: PA46 GF30 (GRAY); FLANGE SEAL MATERIAL: SILICONE. CONTACT PLATING- MATING SIDE :NICKLE; PCB SIDE: TIN
- 1 DIMENSION TOLERANCE: $\pm .025$ [.64]; PANEL CUTOUT $\pm .010$ [.25]
 PIN LOCATIONS: $\pm .005$ [.13]; MOUNTING HOLE LOCATIONS: $\pm .005$ [.13]
 PCB LAYOUT: $\pm .005$ [.13]

TCPN	ALIAS PART NUMBER
DT15-08PA	DT15-08PA
DT15-08PB	DT15-08PB
DT15-08PC	DT15-08PC
DT15-08PD	DT15-08PD

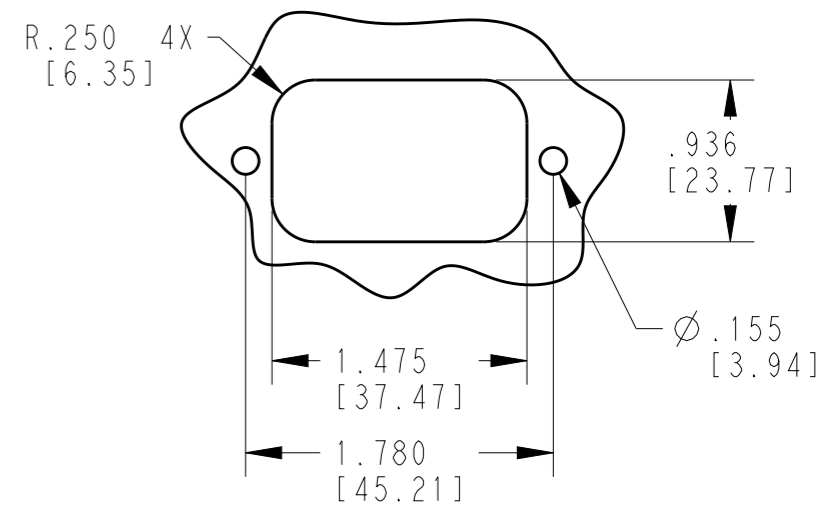
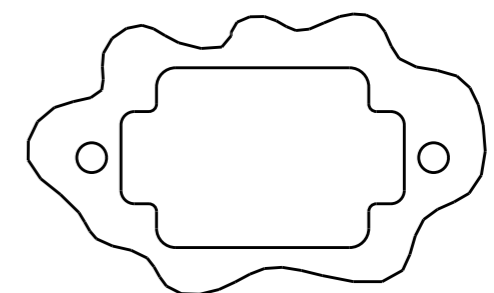
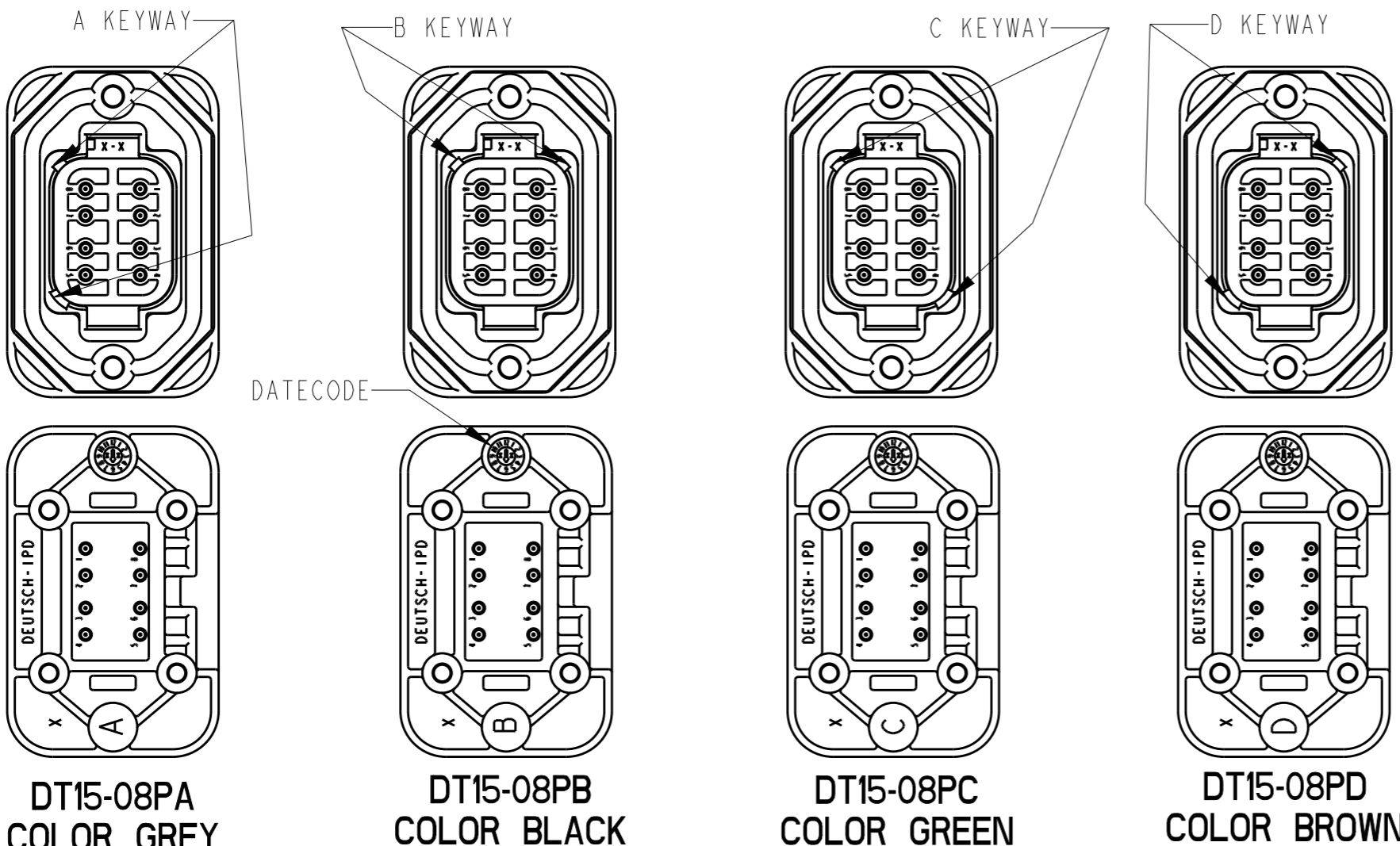
THIS DRAWING IS A CONTROLLED DOCUMENT.		DWN K. MCKEE 20OCT2006															
DIMENSIONS: INCHES [mm]		CHK J. APOSTOL 16NOV2006															
TOLERANCES UNLESS OTHERWISE SPECIFIED:		APVD S. BEARD 14NOV2006	NAME PCB MOUNT RECEPTACLE 8 PINS STRAIGHT DT SERIES														
<table border="0"> <tr> <td>0 PLC</td><td>\pm</td><td rowspan="4">1</td></tr> <tr> <td>1 PLC</td><td>\pm</td></tr> <tr> <td>2 PLC</td><td>\pm</td></tr> <tr> <td>3 PLC</td><td>\pm</td></tr> <tr> <td>4 PLC</td><td>\pm</td></tr> <tr> <td>ANGLES</td><td>$\pm 1^\circ$</td></tr> </table>		0 PLC	\pm	1	1 PLC	\pm	2 PLC	\pm	3 PLC	\pm	4 PLC	\pm	ANGLES	$\pm 1^\circ$	PRODUCT SPEC 108-151009	SIZE A3	
0 PLC	\pm	1															
1 PLC	\pm																
2 PLC	\pm																
3 PLC	\pm																
4 PLC	\pm																
ANGLES	$\pm 1^\circ$																
MATERIAL 2		APPLICATION SPEC	CAGE CODE 4AFU8	DRAWING NO DT15-08-PX													
FINISH		WEIGHT 26g	RESTRICTED TO -														
		CUSTOMER DRAWING	SCALE 1:1	SHEET 1 OF 2													
			REV E														

NOTES:

REVISIONS					
P	LTR	DESCRIPTION	DATE	DWN	APVD
-	-	SEE SHEET 1	-	-	-



RECOMMENDED PCB LAYOUT



THIS DRAWING IS A CONTROLLED DOCUMENT.		DWN K. MCKEE 20OCT2006	TE Connectivity	
DIMENSIONS: INCHES [mm]		CHK J. APOSTOL 16NOV2006		
TOLERANCES UNLESS OTHERWISE SPECIFIED:		APVD S. BEARD 14NOV2006	NAME PCB MOUNT RECEPTACLE 8 PINS STRAIGHT DT SERIES	
0 PLC ± 1 PLC ± 2 PLC ± 3 PLC ± 4 PLC ± ANGLES ±1°		PRODUCT SPEC 108-151009	RESTRICTED TO	
MATERIAL		APPLICATION SPEC	SIZE A3	CAGE CODE 4AFU8
FINISH		WEIGHT 26g	DRAWING NO DT15-08-PX	
		CUSTOMER DRAWING	SCALE 1:1	SHEET 2 OF 2
			REV E	