

|      |      |   |          |
|------|------|---|----------|
| SIGN | DATE | DESCRIPTION   | APPROVER |
|      |      | <i>THIS IS CAD DRAWING, DO NOT REVISE MANUALLY!!!</i> |          |

**SPECIFICATIONS**

Current: 3A  
Voltage: 250V AC(r.m.s.)  
Temperature Range: -45°C ~ +105°C  
Contact Resistance: <20mΩ  
Insulation Resistance: >1000MΩ  
Withstanding Voltage: 500V AC/minute

**Material**  
Insulator: P.B.T. +15% GF  
Contact: Phosphor Bronze  
Plating overall: Ni 50u"  
Plating contact area: Gold Flash (0.5u"-1u") or Tin  
Flammability: UL 94V-0

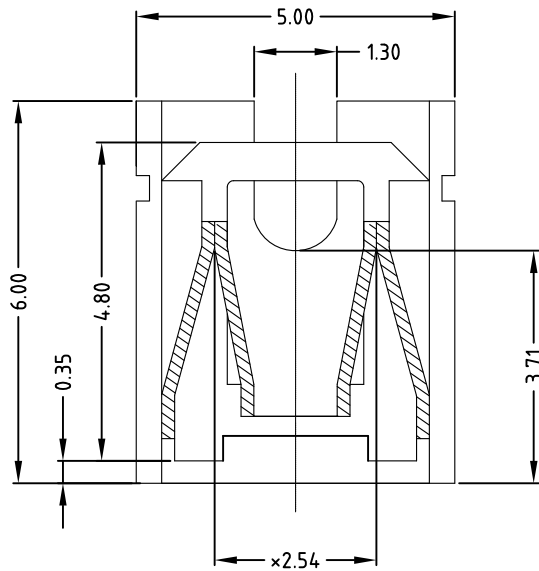
RoHS Compliant

**PART NUMBER:**

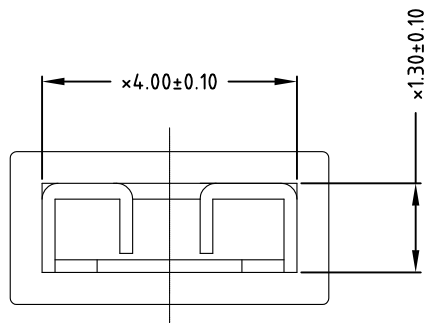
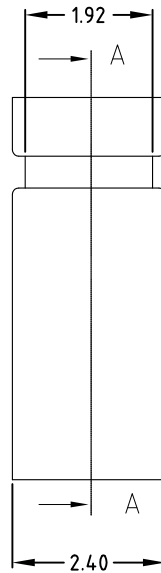
**COLOR**  
0 - Black (standard)  
1 - Red  
3 - Blue  
other colors available, may require MOQ

**EDJ2XX**

G - Gold Flash (STD)  
Z - Tin (may require MOQ)



SEC A-A



THESE DRAWINGS AND SPECIFICATIONS ARE THE PROPERTY OF ON-SHORE TECHNOLOGY, INC. AND SHALL NOT BE REPRODUCED, COPIED OR USED IN ANY MANNER WITHOUT THE PRIOR WRITTEN CONSENT OF ON-SHORE TECHNOLOGY, INC.



|          |                     |  |                      |              |         |                 |
|----------|---------------------|--|----------------------|--------------|---------|-----------------|
| TITLE    |                     | EDJ2 Series - 2.54mm shunt/jumper Open Top |                      |              |         |                 |
| PART NO. | EDJ2XX              | DWG NO.                                    | EDJ2XX.DWG           |              |         |                 |
| APPROVED | CHECKED             | DESIGNED                                   | DRAWN                | 4050         |         | Tolerance       |
|          | Sandy<br>2002.08.10 | Marvin<br>2002.08.10                       | Marvin<br>2002.08.10 |              |         | UNIT: mm/inches |
|          |                     |  |                      |              |         | SCALE: NONE     |
|          |                     |  |                      | SHEET: 01/01 | REV.: A |                 |