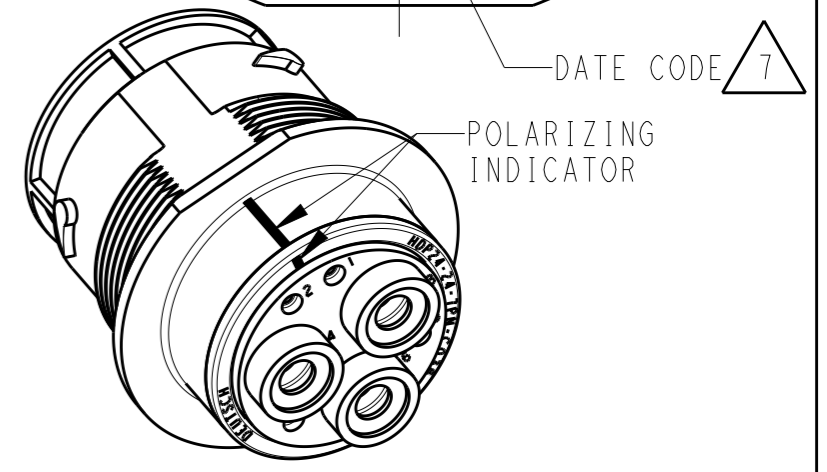
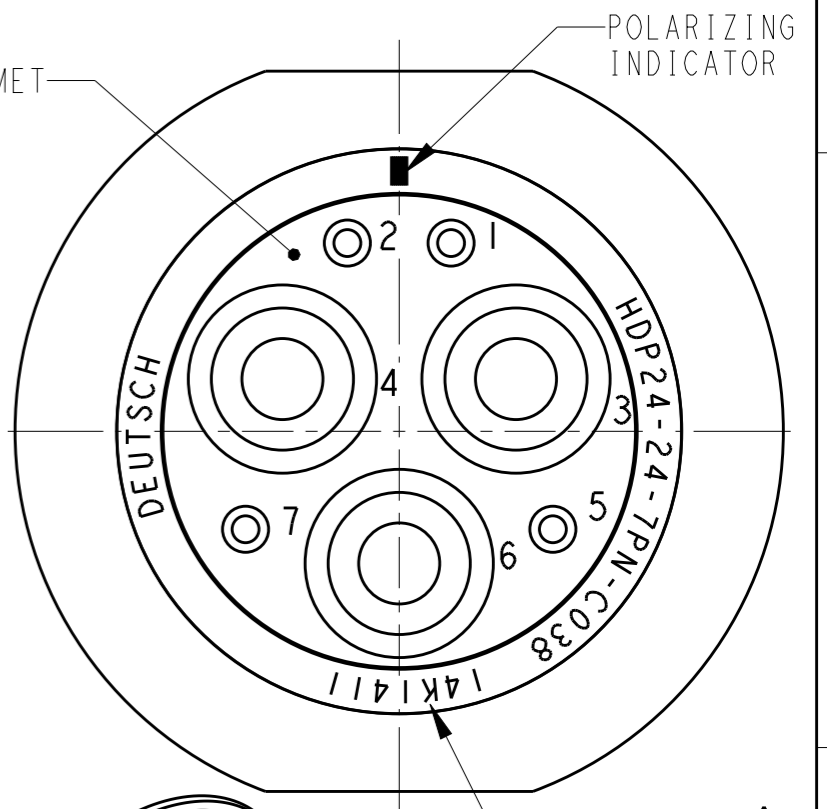
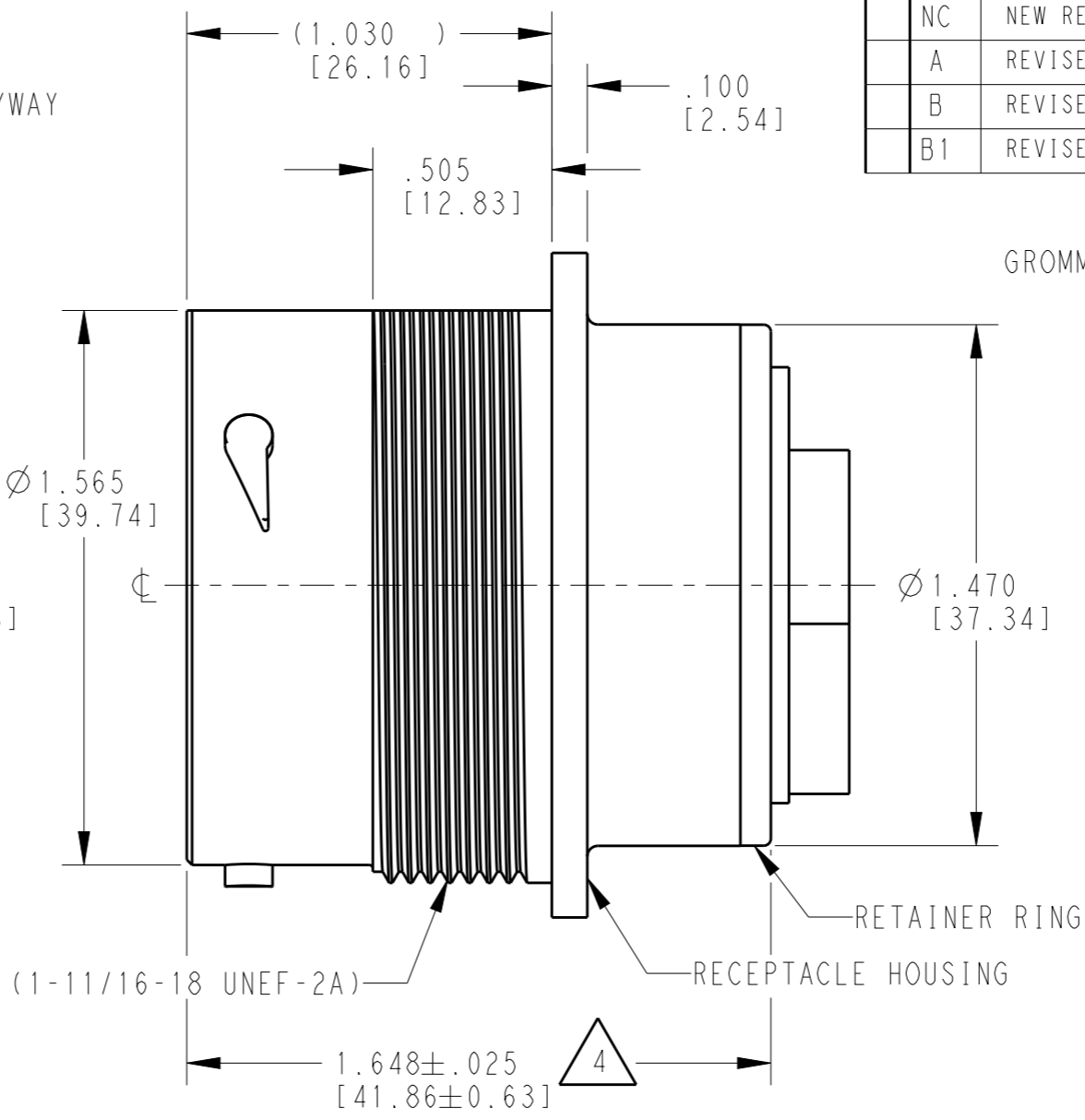
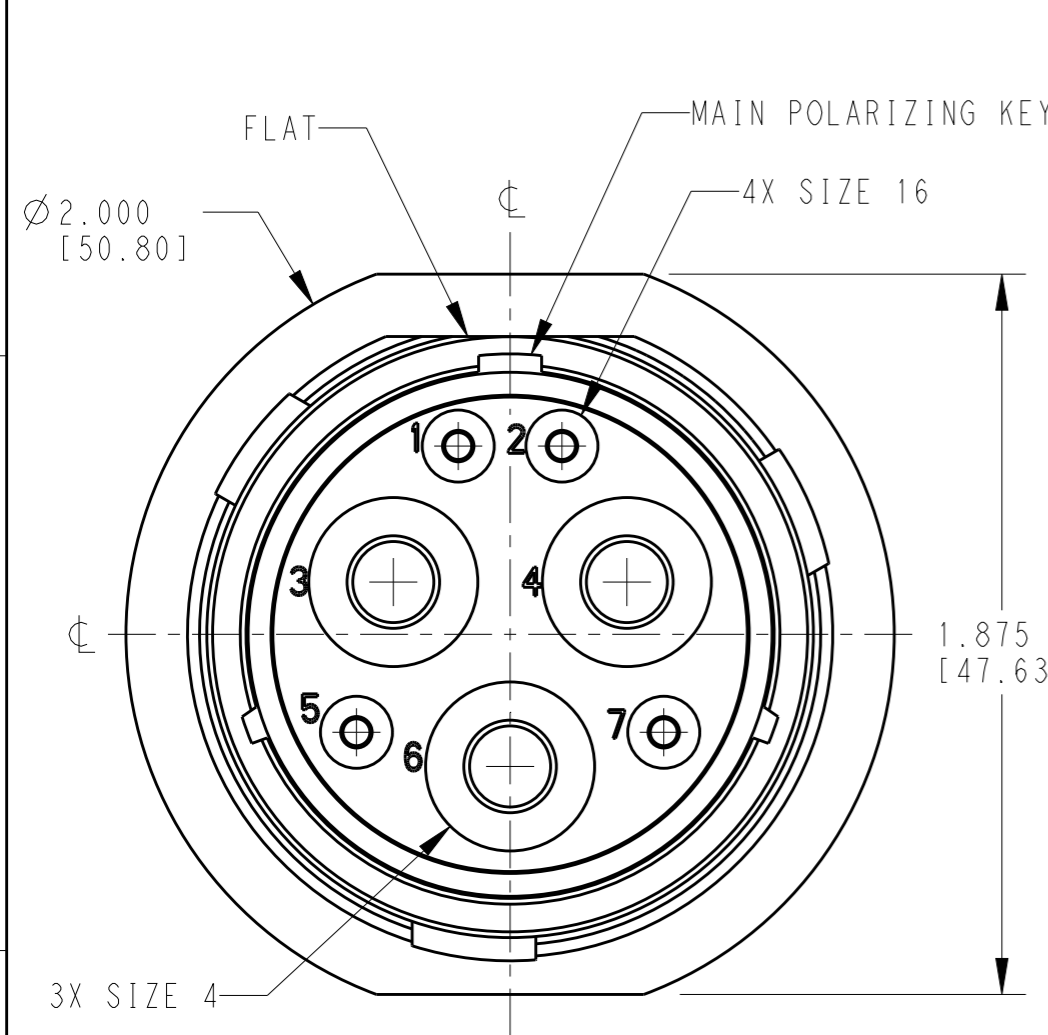


THIS DRAWING IS UNPUBLISHED
 RELEASED FOR PUBLICATION 2015
 © COPYRIGHT 2010 BY TE CONNECTIVITY ALL RIGHTS RESERVED.

LOC	DIST	REVISIONS				
P	LTR	DESCRIPTION	DATE	DWN	APVD	
		NC	NEW RELEASE PER E.O. P20485	06AUG2010	IG	RDR
		A	REVISED PER E.O. P20776	04FEB2011	JA	RDR
		B	REVISED PER ECO-14-019072	23FEB2015	JA	DM
		B1	REVISED PER ECO-16-013285	08SEP2016	DD	DM



SCALE 1:1

TE INTERNAL PN	DEUTSCH PN
HDP24-24-7PN-C038	HDP24-24-7PN-C038

6. PART MODIFICATION:
 3 SIZE 4: 4 AWG [21.0-25.0 mm²] AND 4 SIZE 16.

5. RECEPTACLE IS SUPPLIED WITH DUST CAP (2415-001-2405). $\triangle 7$

$\triangle 4$ NOTED DIMENSION DOES NOT INCLUDE GROMMET PROTRUSION.

$\triangle 3$ MATERIAL: RECEPTACLE HOUSING: PA66 GF10 (BLACK)
 RETAINER RING: PA66 GF10 (GREEN, GRAY, BLUE)
 GROMMET: SILICONE (ORANGE-RED)

$\triangle 2$ SEE 0425-021-0000 APPLICATION SPECIFICATION
 A. RECOMMENDED WIRE INSULATION RANGE
 B. CONTACT REMOVAL TOOLS
 C. RECOMMENDED MOUNTING HOLE & PANEL THICKNESS
 D. MOUNTING HARDWARE & MOUNTING TORQUE.

1. THIS RECEPTACLE MATES WITH HDP26-24-7SX-XXXX PLUG
 X = SEAL TYPE (N,T,E)
 XXXX = MODIFICATION

NOTES:

$\triangle 7$ DATE CODE: IDENTIFIES THE YEAR, MONTH, DAY AND HOUR OF ASSEMBLY.
 YEAR: FIRST AND SECOND DIGITS. (14 = 2014)
 MONTH: THRID DIGIT, EXCLUDING I. A = JAN., B = FEB., C = MARCH... (K = OCTOBER)
 DAY: FOURTH AND FIFTH DIGITS (14 = 14th DAY)
 HOUR: SIXTH AND SEVENTH DIGITS (11 = 11AM)

THIS DRAWING IS A CONTROLLED DOCUMENT.		DWN	01APR2010	ILINA GRANICHAROVA	
DIMENSIONS: INCHES [mm]		CHK	21JUL2010	JAIME C. APOSTOL	
TOLERANCES UNLESS OTHERWISE SPECIFIED:		APVD	12JUL2010	STEVE BEARD	
0 PLC ±		PRODUCT SPEC	0425-021-0000		
1 PLC ±		APPLICATION SPEC	$\triangle 2$		
2 PLC ±		WEIGHT	48.28g		
3 PLC ±.015 [0.38]		SIZE	A3		
4 PLC ±		CAGE CODE	4AFU8		
ANGLES ±0°30'0"		DRAWING NO	HDP24-24-7PN-C038		
MATERIAL	FINISH	RESTRICTED TO	-		
$\triangle 3$	N/A	SCALE	2:1		
Customer Drawing		SHEET	1 OF 1		
		REV	B1		