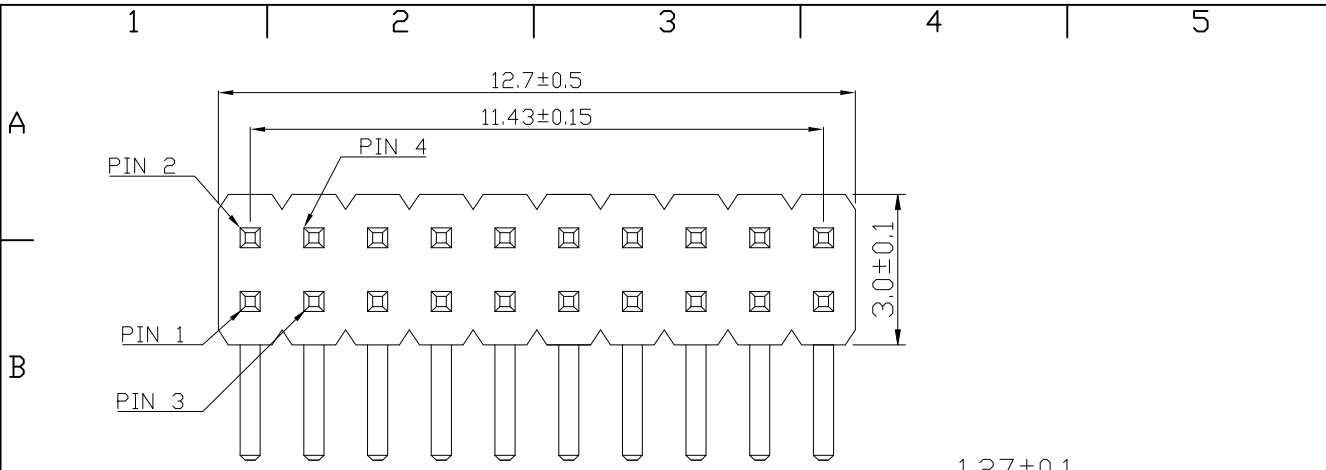
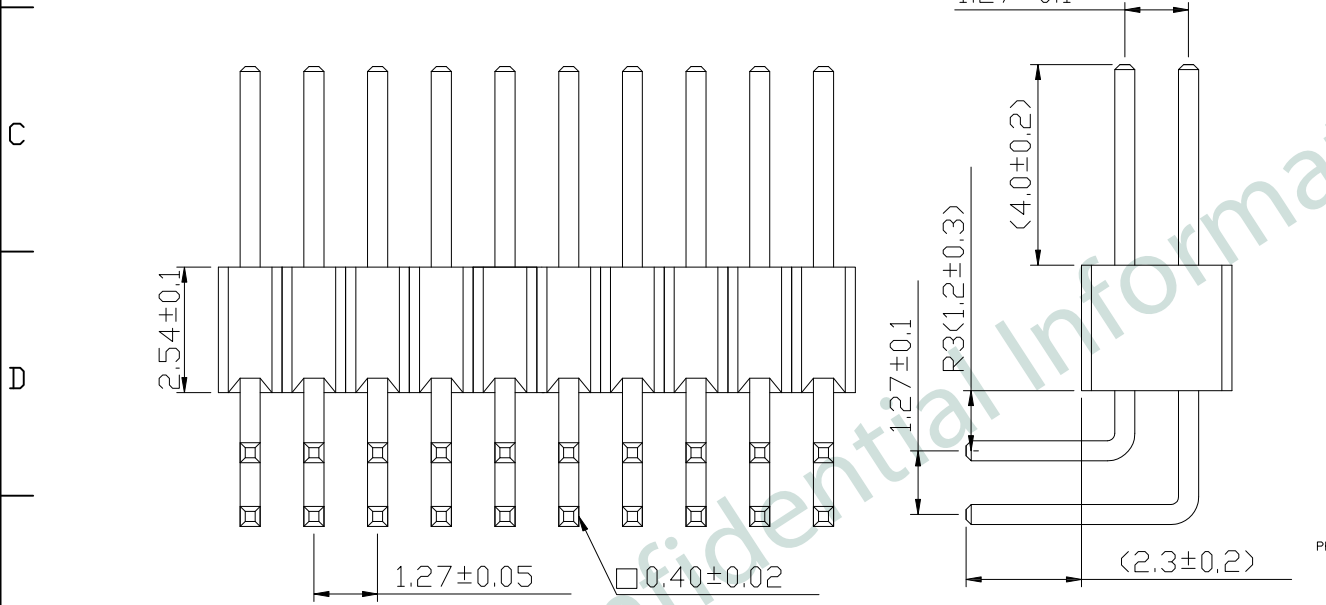


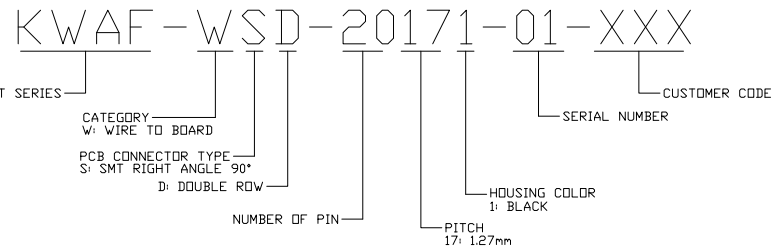
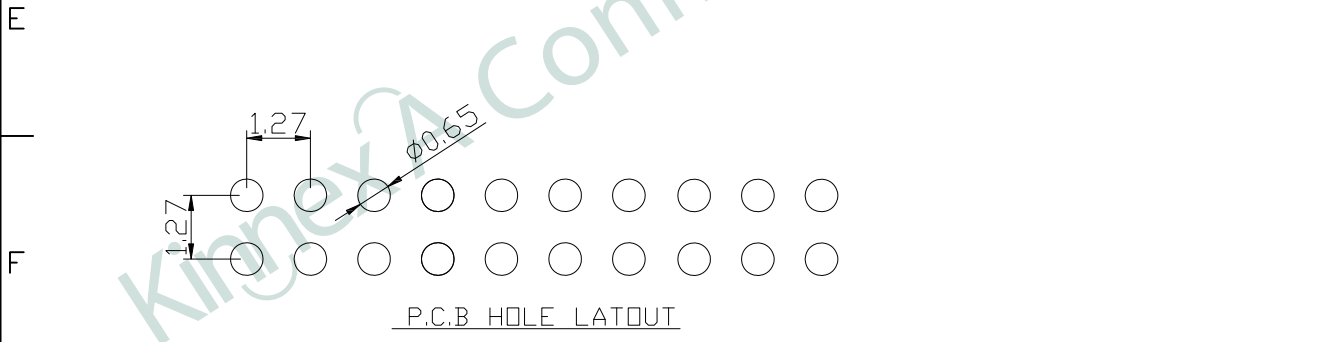
REV.	DATE	DESCRIPTION
01	May. 26, '20	1st RELEASE



NOTES:
 1. SPECIFICATIONS
 CURRENT RATING: 1 Amps
 OPERATING TEMPERATURE: -40°C ~ +105°C
 CONTACT MATERIAL: COPPER ALLOY
 INSULATION RESISTANCE: 1000MΩ MIN.
 DIELECTRIC WITHSTANDING: AC 500 V
 INSULATOR MATERIAL: POLYESTER, UL 94V-0
 STANDARD: NL-6T
 FINISH: GOLD PLATED
 STANDARD: GOLD FLASH ALL OVER



2. UNSPECIFIED TOLERANCE: .XX ±0.15
 .X ±0.20



PART NO K W A F - W S D - 2 0 1 7 1 - 0 1 - X X X				
TITLE	WIRE TO BOARD, SMT RIGHT ANGLE 90°, DOUBLE ROW, PITCH=1.27mm			
REV : 01				
UNIT	DRAWN	CHKD	DATE	SHEET
mm[inch]	CINDY	VINCENT	May. 26, '20	1 of 1