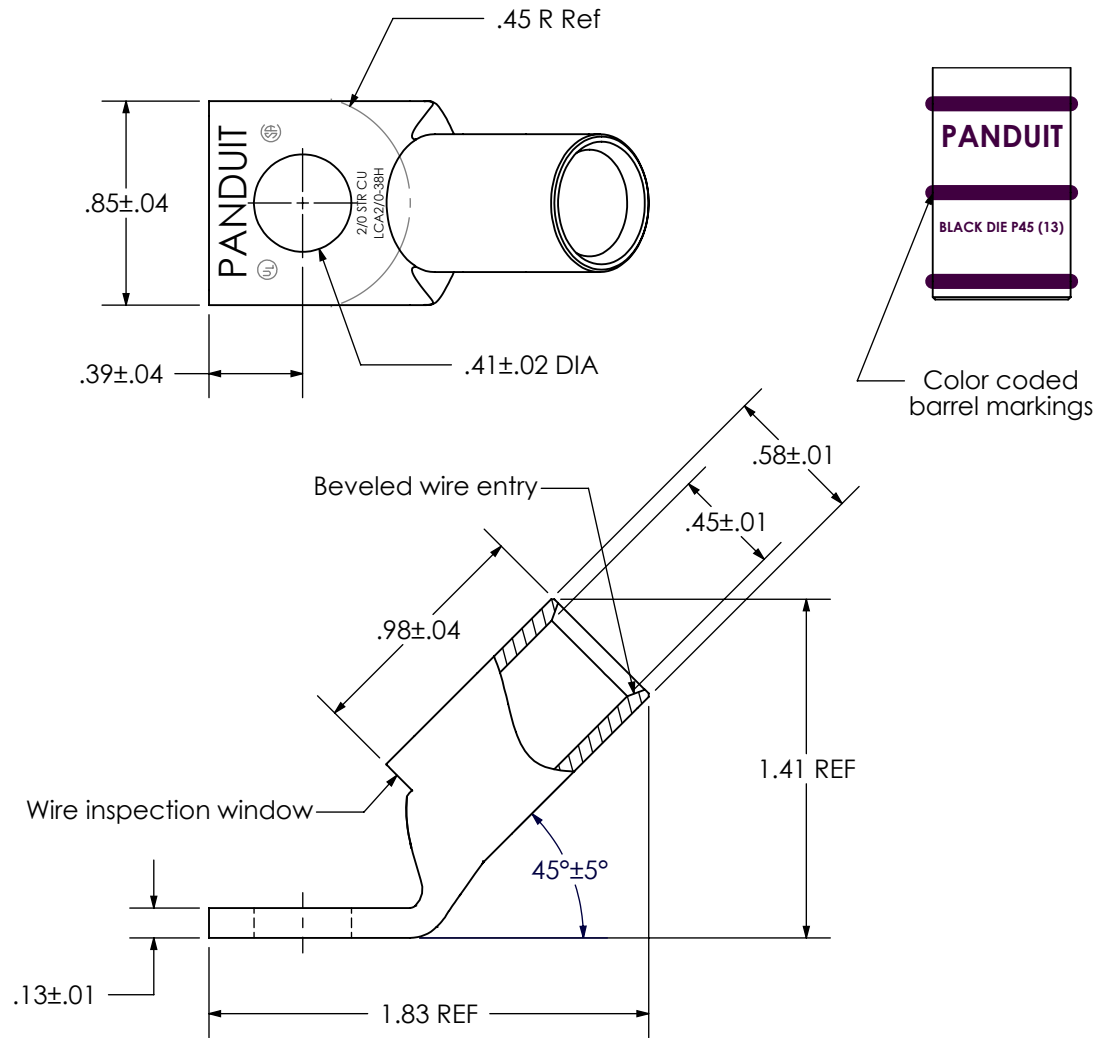


THIS COPY IS PROVIDED ON A RESTRICTED BASIS AND IS NOT TO BE USED IN ANY WAY DETRIMENTAL TO THE INTERESTS OF PANDUIT CORP.

|  |  |
|--|--|
| Material                                       | High Conductivity Seamless Copper Tube   |
| Plating  | Electro-Tin  |
| Wire Size                                      | 2/0 AWG  |
| Wire Type                                      | Stranded Copper; Class B: Compact, Compressed or Concentric, Class C: Concentric   |
| Wire Strip Length                              | 1-1/16 in.   |
| Stud Size                                      | 3/8 in.  |
| UL Listed Wire Connector                       | Yes, for applications up to 35kv. Consult cable manufacturer for voltage stress relief instructions with applications greater than 2000 volts. |
| UL Temperature Rating                          | 90° C  |
| C.S.A Certified Wire Connector                 | Yes  |
| Panduit Color Code on Barrel                   | BLACK  |
| Panduit Die Index No. on Barrel                | P45  |
| Alternate Industry Die Index No. ( ) on Barrel | (13)   |



| 01  | 3/06 | DRL | DRL | ADDED UL, CSA & PART NO. TO STAMP | PC00360 |
|-----|------|-----|-----|-----------------------------------|---------|
| REV | DATE | BY  | CHK | DESCRIPTION                       | ECN     |

**PANDUIT CORP. TINLEY PARK, ILLINOIS**  
 LCA2/0-38H-X  
 Copper Lug - One-Hole, Standard Barrel, 45° Angle Tongue  
 SCALE N/A  
 DRAWING NO / CAD FILE LCA2\_0-38H-CUST