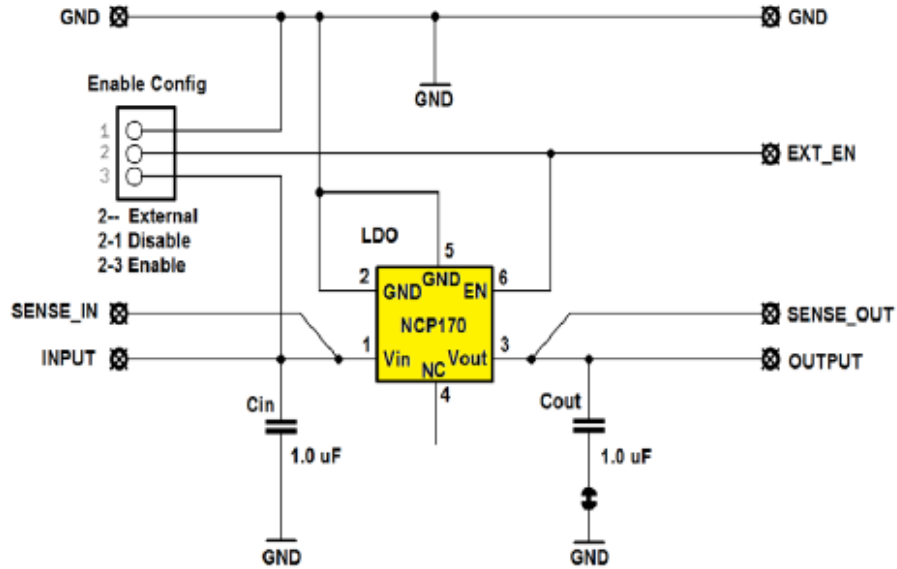


Schematic for the NCP170AXV250GEVB Evaluation Board



Programming I/F

