

Product Change Notification

(Notification - P1812064-DIGI)

(LLWEB-10037639)

December 31, 2018

To: *Our Valued Digi-Key Electronics Customer*

Overview: The purpose of this notification is to communicate a product change of select Renesas Electronics America, Inc. (REA) devices.

This notification announces the addition of the assembly and final test sites for RH850/F1 & D1 series products. Changes include (see the appendix for details) the following...

1. Booking part number
2. External package dimensions
3. Bonding wire material
4. Top Marking
5. Box labeling

There is no change to electrical specifications or product reliability.

Affected Products: A review of our records indicates the list of products in Appendix 7 may affected your company.

Part numbers given in this list are for active part numbers in REA database at the time of this notification.

Key Dates:

Shipments from REA of replacement devices begin.
--

June 15th, 2019

Response: No response is required. REA will consider this notification approved 30 days after its issue. If you anticipate volumes beyond your regular rate prior to the transition date, please contact your REA sales representative with a forecast of your requirements.

If the customer provides a timely acknowledgement, the customer shall have 90 days (an additional 60 days) from the date of receipt of this notification in which to make any objections to the notification. If the customer does not make any objections to this notification within 90 days of the receipt of the notification, then Renesas will consider the notification as approved. If customer cannot accept the notification, then the customer must provide Renesas with a last time buy demand and purchase order.

Please contact your REA sales representative for any questions or comments.

Thank you for your attention.

Sincerely,

Renesas Electronics America, Inc.

Appendix 1: Change Summary

Item	Current Sites	Additional Sites (after change)	Influence (Changes)
Additional Assembly Site	<ol style="list-style-type: none"> RSC Renesas Semiconductor (Suzhou) Co., Ltd. RSPT / Nishiki Renesas Semiconductor Package & Test Solution (Nishiki Factory) 	<ol style="list-style-type: none"> ASE-KH Advanced Semiconductor Engineering, Inc. (Kaohsiung) JD Kumamoto J-Devices Corporation Kumamoto District 	<ol style="list-style-type: none"> Manufacturing (Assembly) Site: Added Product Name (Booking PN): Changed Material (Bonding Wire): Changed Mark: Changed Outward (External) Form: Changed Machine: Changed Assembly Process: Changed Specification & Quality: No Change (Reliability is AEC Q100)
Additional Test Site (Final Test)	<ol style="list-style-type: none"> RSC Renesas Semiconductor (Suzhou) Co., Ltd. RSPT / Nishiki Renesas Semiconductor Package & Test Solution (Nishiki Factory) 	<ol style="list-style-type: none"> TeraPower TeraPower Technology, Inc. 	<ol style="list-style-type: none"> Test Site: Added Machine: No Change Test Specification and Criteria: No Change Package Specification: Changed

Appendix 2: Part Number Change Example

The table below shows examples of the product type name (booking part number) of the additional site products. Changed parts are written in red.

RH850 Products	RSC	ASE-KH	JD Kumamoto
D1L1	R7F701401EAFB#BA0	R7F701401EAFE#BA0	R7F701401EAFD#BA0
D1L2	R7F701403EAFB#BA0	R7F701403EAFE#BA0	R7F701403EAFD#BA0
F1L	R7F7010233AFP#BA4	R7F7010233AFE#BA4	R7F7010233AFD#BA4
F1M	R7F7015493AFP#BA2	R7F7015493AFE#BA2	R7F7015493AFD#BA2
F1H	R7F7015023AFP#BA2	R7F7015023AFE#BA2	R7F7015023AFD#BA2
F1K	R7F7015873AFP-C#BA3	R7F7015873AFE#BA3	R7F7015873AFD#BA3
F1KM	R7F7016843AFP-C#BA1	R7F7016843AFE#BA1	R7F7016843AFD#BA1

Note: Products in the additional sites are shipped as Full Carton package.

Appendix 3a: Outward (External) Form Change

[unit] mm

Item	Reference Symbol	Site	Size			Notes
			MIN.	NOM.	MAX.	
Body Width/Length LQFP-176pin	D,E (D1,E1)	RENESAS	23.9	24.0	24.1	:Renesas applies JEITA Standard. :ASE-KH and JD-Kumamoto apply JEDEC tolerance Standard.
		ASE-KH	23.8	24.0	24.2	
		JD-Kumamoto	23.8	24.0	24.2	
Body Width/Length LQFP-144pin	D,E (D1,E1)	RENESAS	19.9	20.0	20.1	:Renesas applies JEITA Standard. :ASE-KH and JD-Kumamoto apply JEDEC tolerance Standard.
		ASE-KH	19.8	20.0	20.2	
		JD-Kumamoto	19.8	20.0	20.2	
Body Width/Length LQFP-100pin	D,E (D1,E1)	RENESAS	13.9	14.0	14.1	:Renesas applies JEITA Standard. :ASE-KH and JD-Kumamoto apply JEDEC tolerance Standard.
		ASE-KH	13.8	14.0	14.2	
		JD-Kumamoto	13.8	14.0	14.2	

[unit] tip angle : deg
others : mm

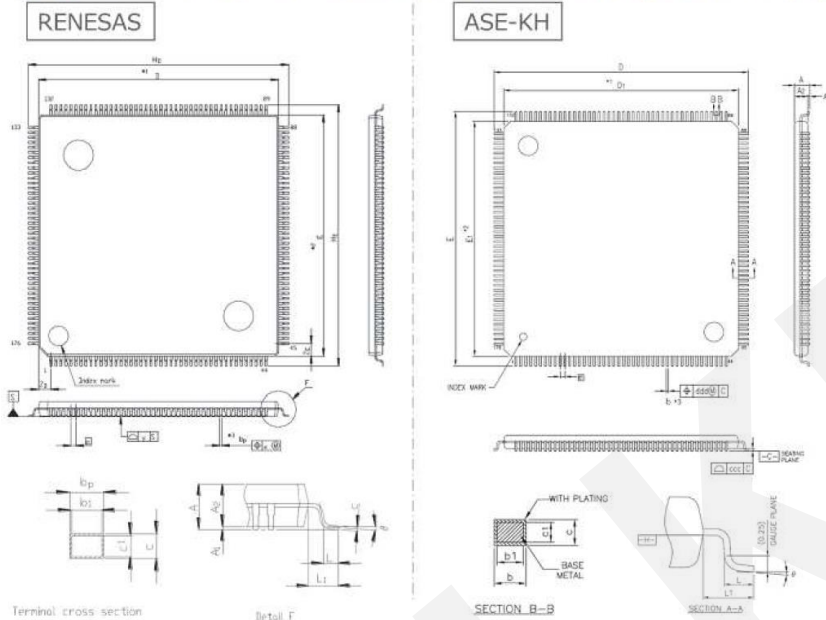
Item	Reference Symbol	Site	Size			Notes
			MIN.	NOM.	MAX.	
Mount Height*1	A	RENESAS	-	-	1.7	:Renesas applies JEITA Standard. :ASE-KH and JD-Kumamoto apply JEDEC tolerance Standard.
		ASE-KH	-	-	1.6	
		JD-Kumamoto	-	-	1.6	
Lead Width	bp (b)	RENESAS	0.15 (0.17*2)	0.20 (0.22*2)	0.25 (0.27*2)	:ASE-KH and JD-Kumamoto apply JEDEC tolerance Standard. (* : for 144pin PKG) :Although the actual sizes of LQFP176 and LQFP100 are different at between RENESAS and ASE-KH/JD-Kumamoto, there is no problem regarding to the mounting on a board.
		ASE-KH	0.17	0.22	0.27	
		JD-Kumamoto	0.17	0.22	0.27	
Lead Tip Angle*1	θ	RENESAS	0	-	8	:Renesas applies JEITA Standard. :ASE-KH and JD-Kumamoto apply JEDEC tolerance Standard.
		ASE-KH	0	-	7	
		JD-Kumamoto	0	-	7	
Lead Tip Length*1	L	RENESAS	0.35	0.50	0.65	:Renesas applies JEITA Standard. :ASE-KH and JD-Kumamoto apply JEDEC tolerance Standard.
		ASE-KH	0.45	0.60	0.75	
		JD-Kumamoto	0.45	0.60	0.75	

* 1 : Mount Height, Lead Tip Angle, Lead Tip Length are same at LQFP-176pin/144pin/100pin.

* 2 : Lead Width is same at LQFP-176pin/100pin, Lead Width of LQFP-144pin is same in ASE-KH and JD-Kumamoto.

Appendix 3b: LQFP-176 Change

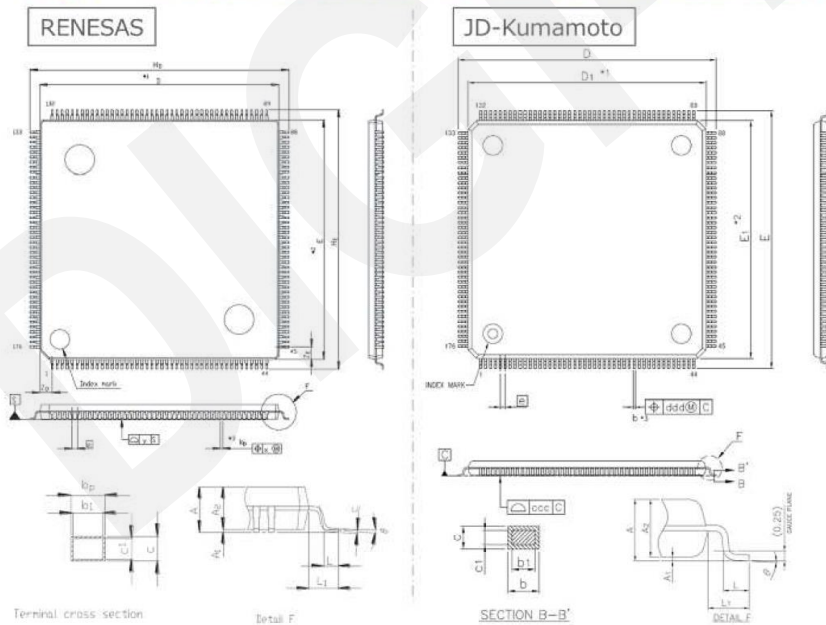
LQFP-176pin Outward Form (ASE-KH)



<Ref>RENESAS				ASE-KH				
Symbol	Unit: mm			Symbol	Unit: mm			
	MIN.	NOM.	MAX.		MIN.	NOM.	MAX.	
D	23.9	24.0	24.1	D1	23.8	24.0	24.2	
E	23.9	24.0	24.1	E1	23.8	24.0	24.2	
A2	-	1.40	-	A2	-	1.40	-	
HD	25.8	26.0	26.2	D	25.8	26.0	26.2	
HE	25.8	26.0	26.2	E	25.8	26.0	26.2	
A	-	-	1.7	A	-	-	1.60	
A1	0.05	0.1	0.15	A1	0.05	-	0.15	
bp	0.15	0.20	0.25	b	0.17	0.22	0.27	
b1	-	0.18	-	b1	0.17	0.20	0.23	
c	0.09	0.145	0.20	c	0.09	-	0.20	
c1	-	0.125	-	c1	0.09	-	0.16	
theta	0°	-	8°	theta	0°	-	7°	
e	-	0.5	-	e	-	0.50	-	
L	0.35	0.5	0.65	※1	L	0.45	0.60	0.75
L1	-	1.0	-	L1	-	1.00	-	
y	-	-	0.08	ccc	-	-	0.08	
x	-	-	0.08	ddd	-	-	0.08	
ZD	-	1.25	-	※2				
ZE	-	1.25	-	※2				

*1 L measuring points in JEITA and JEDEC Standard are different.
 *2 JEDEC Standard doesn't include ZD and ZE length.

LQFP-176pin Outward Form (JD-Kumamoto)

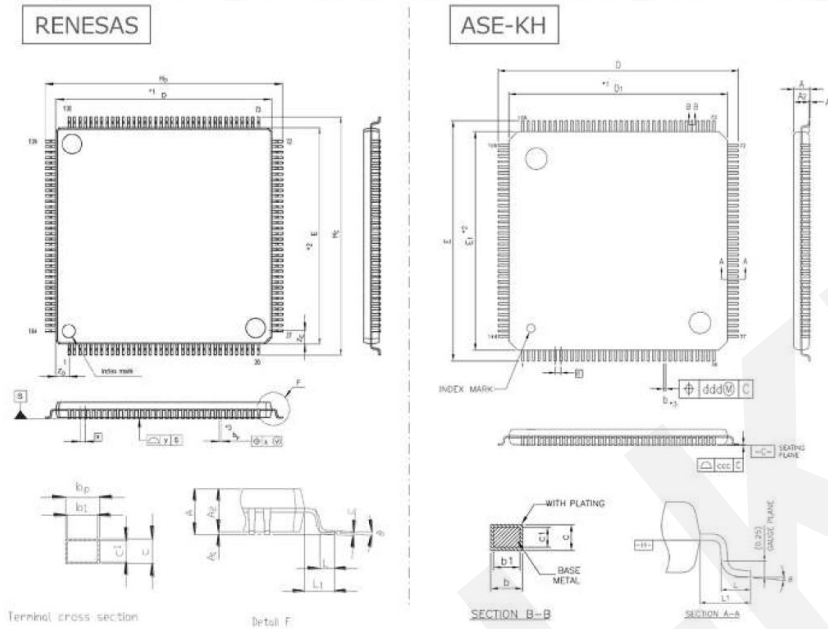


<Ref>RENESAS				JD-Kumamoto				
Symbol	Unit: mm			Symbol	Unit: mm			
	MIN.	NOM.	MAX.		MIN.	NOM.	MAX.	
D	23.9	24.0	24.1	D1	23.8	24.0	24.2	
E	23.9	24.0	24.1	E1	23.8	24.0	24.2	
A2	-	1.40	-	A2	-	1.40	-	
HD	25.8	26.0	26.2	D	25.8	26.0	26.2	
HE	25.8	26.0	26.2	E	25.8	26.0	26.2	
A	-	-	1.7	A	-	-	1.60	
A1	0.05	0.1	0.15	A1	0.05	-	0.15	
bp	0.15	0.20	0.25	b	0.17	0.22	0.27	
b1	-	0.18	-	b1	0.17	0.20	0.23	
c	0.09	0.145	0.20	c	0.09	-	0.20	
c1	-	0.125	-	c1	0.09	-	0.16	
theta	0°	-	8°	theta	0°	-	7°	
e	-	0.5	-	e	-	0.50	-	
L	0.35	0.5	0.65	※1	L	0.45	0.60	0.75
L1	-	1.0	-	L1	-	1.00	-	
y	-	-	0.08	ccc	-	-	0.08	
x	-	-	0.08	ddd	-	-	0.08	
ZD	-	1.25	-	※2				
ZE	-	1.25	-	※2				

*1 L measuring points in JEITA and JEDEC Standard are different.
 *2 JEDEC Standard doesn't include ZD and ZE length.

Appendix 3C: LQFP-144 Change

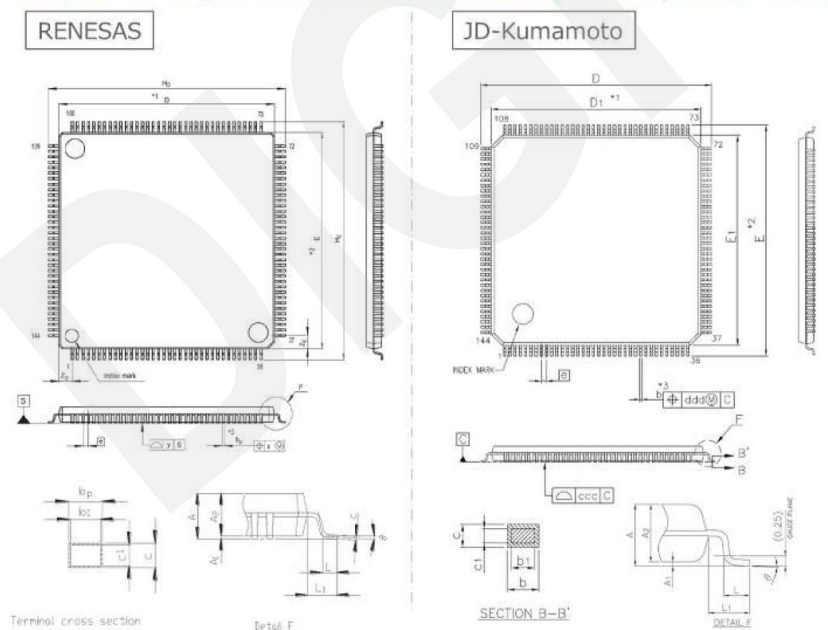
LQFP-144pin Outward Form (ASE-KH)



<Ref>RENESAS			ASE-KH				
Symbol	Unit: mm			Symbol	Unit: mm		
	MIN.	NOM.	MAX.		MIN.	NOM.	MAX.
D	19.9	20.0	20.1	D1	19.8	20.0	20.2
E	19.9	20.0	20.1	E1	19.8	20.0	20.2
A2	-	1.40	-	A2	-	1.40	-
HD	21.8	22.0	22.2	D	21.8	22.0	22.2
HE	21.8	22.0	22.2	E	21.8	22.0	22.2
A	-	-	1.7	A	-	-	1.60
A1	0.05	0.1	0.15	A1	0.05	-	0.15
bp	0.17	0.22	0.27	b	0.17	0.22	0.27
b1	-	0.20	-	b1	0.17	0.20	0.23
c	0.09	0.145	0.20	c	0.09	-	0.20
c1	-	0.125	-	c1	0.09	-	0.16
theta	0°	-	8°	theta	0°	-	7°
e	-	0.5	-	e	-	0.50	-
L	0.35	0.5	0.65	※1	-	-	-
※1	-	-	-	L	0.45	0.60	0.75
L1	-	1.0	-	L1	-	1.00	-
y	-	-	0.08	ccc	-	-	0.08
x	-	-	0.08	ddd	-	-	0.08
ZD	-	1.25	-	※2	-	-	-
ZE	-	1.25	-	※2	-	-	-

*1 L measuring points in JEITA and JEDEC Standard are different.
 *2 JEDEC Standard doesn't include ZD and ZE length.

LQFP-144pin Outward Form (JD-Kumamoto)

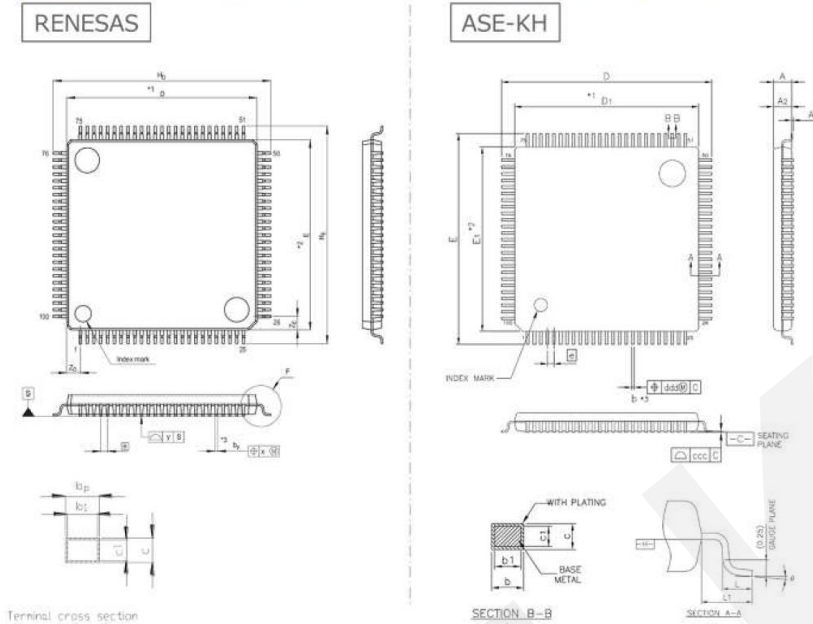


<Ref>RENESAS			JD-Kumamoto				
Symbol	Unit: mm			Symbol	Unit: mm		
	MIN.	NOM.	MAX.		MIN.	NOM.	MAX.
D	19.9	20.0	20.1	D1	19.8	20.0	20.2
E	19.9	20.0	20.1	E1	19.8	20.0	20.2
A2	-	1.40	-	A2	-	1.40	-
HD	21.8	22.0	22.2	D	21.8	22.0	22.2
HE	21.8	22.0	22.2	E	21.8	22.0	22.2
A	-	-	1.7	A	-	-	1.60
A1	0.05	0.1	0.15	A1	0.05	-	0.15
bp	0.17	0.22	0.27	b	0.17	0.22	0.27
b1	-	0.20	-	b1	0.17	0.20	0.23
c	0.09	0.145	0.20	c	0.09	-	0.20
c1	-	0.125	-	c1	0.09	-	0.16
theta	0°	-	8°	theta	0°	-	7°
e	-	0.5	-	e	-	0.50	-
L	0.35	0.5	0.65	※1	-	-	-
※1	-	-	-	L	0.45	0.60	0.75
L1	-	1.0	-	L1	-	1.00	-
y	-	-	0.08	ccc	-	-	0.08
x	-	-	0.08	ddd	-	-	0.08
ZD	-	1.25	-	※2	-	-	-
ZE	-	1.25	-	※2	-	-	-

*1 L measuring points in JEITA and JEDEC Standard are different.
 *2 JEDEC Standard doesn't include ZD and ZE length.

Appendix 3D: LQFP-100 Change

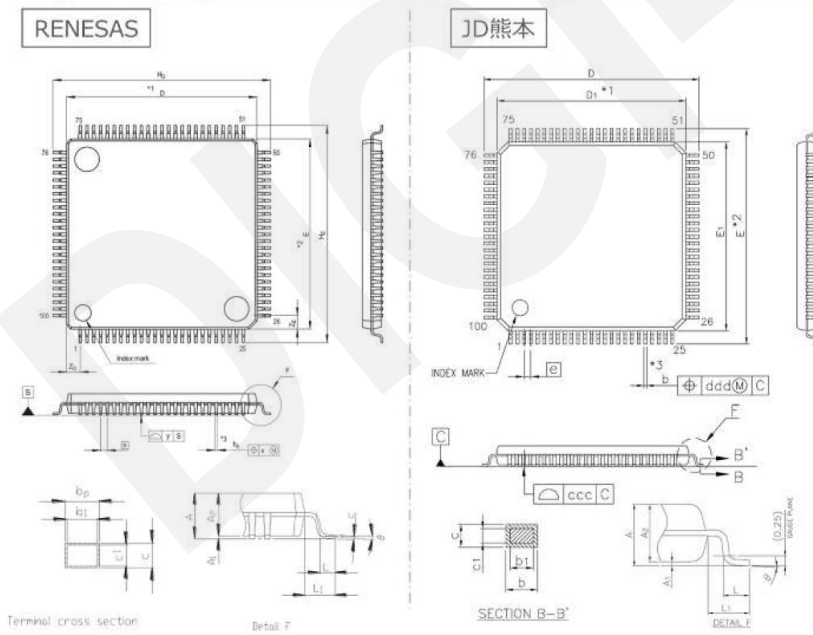
LQFP-100pin Outward Form (ASE-KH)



<Ref>RENESAS				ASE-KH			
Symbol	Unit: mm			Symbol	Unit: mm		
	MIN.	NOM.	MAX.		MIN.	NOM.	MAX.
D	13.9	14.0	14.1	D1	13.8	14.0	14.2
E	13.9	14.0	14.1	E1	13.8	14.0	14.2
A2	-	1.40	-	A2	-	1.40	-
HD	15.8	16.0	16.2	D	15.8	16.0	16.2
HE	15.8	16.0	16.2	E	15.8	16.0	16.2
A	-	-	1.7	A	-	-	1.60
A1	0.05	0.1	0.15	A1	0.05	-	0.15
bp	0.15	0.20	0.25	b	0.17	0.22	0.27
b1	-	0.18	-	b1	0.17	0.20	0.23
c	0.09	0.145	0.20	c	0.09	-	0.20
c1	-	0.125	-	c1	0.09	-	0.16
theta	0°	-	8°	theta	0°	-	7°
e	-	0.5	-	e	-	0.50	-
L	0.35	0.5	0.65	※1			
※1				L	0.45	0.60	0.75
L1	-	1.0	-	L1	-	1.00	-
y	-	-	0.08	ccc	-	-	0.08
x	-	-	0.08	ddd	-	-	0.08
ZD	-	1.0	-	※2			
ZE	-	1.0	-	※2			

*1 L measuring points in JEITA and JEDEC Standard are different.
 *2 JEDEC Standard doesn't include ZD and ZE length.

LQFP-100pin Outward Form (JD-Kumamoto)



<Ref>RENESAS				JD-Kumamoto			
Symbol	Unit: mm			Symbol	Unit: mm		
	MIN.	NOM.	MAX.		MIN.	NOM.	MAX.
D	13.9	14.0	14.1	D1	13.8	14.0	14.2
E	13.9	14.0	14.1	E1	13.8	14.0	14.2
A2	-	1.40	-	A2	-	1.40	-
HD	15.8	16.0	16.2	D	15.8	16.0	16.2
HE	15.8	16.0	16.2	E	15.8	16.0	16.2
A	-	-	1.7	A	-	-	1.60
A1	0.05	0.1	0.15	A1	0.05	-	0.15
bp	0.15	0.20	0.25	b	0.17	0.22	0.27
b1	-	0.18	-	b1	0.17	0.20	0.23
c	0.09	0.145	0.20	c	0.09	-	0.20
c1	-	0.125	-	c1	0.09	-	0.16
theta	0°	-	8°	theta	0°	-	7°
e	-	0.5	-	e	-	0.50	-
L	0.35	0.5	0.65	※1			
※1				L	0.45	0.60	0.75
L1	-	1.0	-	L1	-	1.00	-
y	-	-	0.08	ccc	-	-	0.08
x	-	-	0.08	ddd	-	-	0.08
ZD	-	1.0	-	※3			
ZE	-	1.0	-	※3			

*1 L measuring points in JEITA and JEDEC Standard are different.
 *2 JEDEC Standard doesn't include ZD and ZE length.

Appendix 4: Bonding Wire Specification Change

The bonding wire at the new additional assembly sites will be Au.

Product	name	RSC		ASE-KH		JD-Kumamoto	
Series		Au	Cu	Au	Cu	Au	Cu
D1 series	D1L1	●		●		●	
	D1L2	●		●		●	
F1 series	F1L	●		●		●	
	F1M	●		●		●	
	F1H	●		●		●	
	F1K		●	●		●	
	F1KM		●	●		●	

Appendix 5: Top Marking Specification Change

D1 Series

Current MP Product(176 · 144)	Product(176 · 144) in added sites

F1 Series

Current MP Product(176 · 144 · 100PIN)	Product(176 · 144 · 100PIN) in added sites

Note: Size of the barcode (PKG-ID) is same in any PKG type.

Appendix 6: Box Label Specification Change

Label example for R7F7010063#BA4 (F1L ECO v3.0 2MB 144pin 105C)

RSC label image (Full carton)



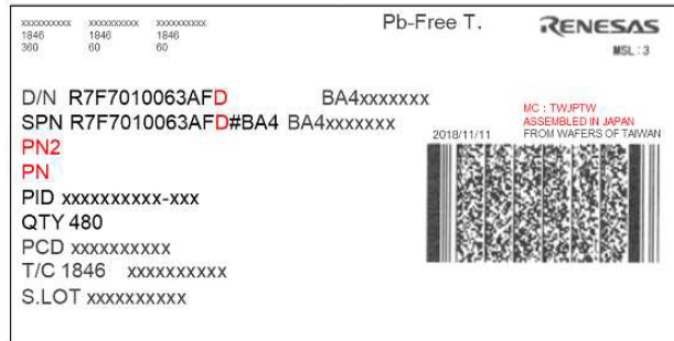
ASE-KH label image (Full carton)



RSC label image (Full carton)



JD Kumamoto label image (Full carton)



: Red letters are different from RSC products.

Appendix 7: Affect Part Number List

Booking Part Number	Suggested Replacement	Booking Part Number	Suggested Replacement
R7F7010073AFP#KA4	R7F7010073AFE#KA4 or R7F7010073AFD#KA4	R7F7010573AFP#KA4	R7F7010573AFE#KA4 or R7F7010573AFD#KA4
R7F7010273AFP#KA4	R7F7010273AFE#KA4 or R7F7010273AFD#KA4	R7F7010574AFP#KA4	R7F7010574AFE#KA4 or R7F7010574AFD#KA4
R7F7010283AFP#KA4	R7F7010283AFE#KA4 or R7F7010283AFD#KA4	R7F701A013AFP#KA4	R7F701A013AFE#KA4 or R7F701A013AFD#KA4
R7F7010284AFP#KA4	R7F7010284AFE#KA4 or R7F7010284AFD#KA4	R7F7010023AFP#KA4	R7F7010023AFE#KA4 or R7F7010023AFD#KA4
R7F7010293AFP#BA4	R7F7010293AFE#BA4 or R7F7010293AFD#BA4	R7F7010223AFP#BA4	R7F7010223AFE#BA4 or R7F7010223AFD#BA4
R7F7010303AFP#KA4	R7F7010303AFE#KA4 or R7F7010303AFD#KA4	R7F7010223AFP#KA4	R7F7010223AFE#KA4 or R7F7010223AFD#KA4
R7F7010323AFP#KA4	R7F7010323AFE#KA4 or R7F7010323AFD#KA4	R7F7010233AFP#KA4	R7F7010233AFE#KA4 or R7F7010233AFD#KA4
R7F7010333AFP#KA4	R7F7010333AFE#KA4 or R7F7010333AFD#KA4	R7F7010234AFP#KA4	R7F7010234AFE#KA4 or R7F7010234AFD#KA4
R7F7010334AFP#KA4	R7F7010334AFE#KA4 or R7F7010334AFD#KA4	R7F701A333AFP#BA4	R7F701A333AFE#BA4 or R7F701A333AFD#BA4
R7F7010343AFP#KA4	R7F7010343AFE#KA4 or R7F7010343AFD#KA4	R7F7010243AFP#BA2	R7F7010243AFE#BA2 or R7F7010243AFD#BA2
R7F7010463AFP#KA4	R7F7010463AFE#KA4 or R7F7010463AFD#KA4	R7F7010243AFP#KA2	R7F7010243AFE#KA2 or R7F7010243AFD#KA2
R7F7010473AFP#KA4	R7F7010473AFE#KA4 or R7F7010473AFD#KA4	R7F7010244AFP#KA2	R7F7010244AFE#KA2 or R7F7010244AFD#KA2
R7F7010483AFP#KA4	R7F7010483AFE#KA4 or R7F7010483AFD#KA4	R7F7010253AFP#KA2	R7F7010253AFE#KA2 or R7F7010253AFD#KA2
R7F7010493AFP#KA4	R7F7010493AFE#KA4 or R7F7010493AFD#KA4	R7F7010254AFP#KA2	R7F7010254AFE#KA2 or R7F7010254AFD#KA2
R7F7010533AFP#KA4	R7F7010533AFE#KA4 or R7F7010533AFD#KA4	R7F7010443AFP#KA2	R7F7010443AFE#KA2 or R7F7010443AFD#KA2
R7F7010533AFP#KA8	R7F7010533AFE#KA8 or R7F7010533AFD#KA8	R7F7010453AFP#KA2	R7F7010453AFE#KA2 or R7F7010453AFD#KA2
R7F7010534AFP#KA4	R7F7010534AFE#KA4 or R7F7010534AFD#KA4	R7F7015443AFP#KA2	R7F7015443AFE#KA2 or R7F7015443AFD#KA2
R7F7010543AFP#KA4	R7F7010543AFE#KA4 or R7F7010543AFD#KA4	R7F7015483AFP#KA2	R7F7015483AFE#KA2 or R7F7015483AFD#KA2
R7F7010553AFP#KA4	R7F7010553AFE#KA4 or R7F7010553AFD#KA4	R7F7015484AFP#KA2	R7F7015484AFE#KA2 or R7F7015484AFD#KA2
R7F7010563AFP#KA4	R7F7010563AFE#KA4 or R7F7010563AFD#KA4	R7F7015484AFP#KA6	R7F7015484AFE#KA6 or R7F7015484AFD#KA6
R7F7010564AFP#KA4	R7F7010564AFE#KA4 or R7F7010564AFD#KA4	R7F7015683AFP#KA2	R7F7015683AFE#KA2 or R7F7015683AFD#KA2

Appendix 7: Affect Part Number List (cont.)

Booking Part Number	Suggested Replacement	Booking Part Number	Suggested Replacement
R7F7015693AFP#KA2	R7F7015693AFE#KA2 or R7F7015693AFD#KA2	R7F7015674AFP-C#KA3	R7F7015674AFE#KA3 or R7F7015674AFD#KA3
R7F701A293AFP#KA2	R7F701A293AFE#KA2 or R7F701A293AFD#KA2	R7F7015773AFP-C#KA3	R7F7015773AFE#KA3 or R7F7015773AFD#KA3
R7F701A303AFP#KA2	R7F701A303AFE#KA2 or R7F701A303AFD#KA2	R7F7015774AFP-C#KA3	R7F7015774AFE#KA3 or R7F7015774AFD#KA3
R7F7015313AFP#KA2	R7F7015313AFE#KA2 or R7F7015313AFD#KA2	R7F7015823AFP-C#KA3	R7F7015823AFE#KA3 or R7F7015823AFD#KA3
R7F7015423AFP-C#KA3	R7F7015423AFE#KA3 or R7F7015423AFD#KA3	R7F7015824AFP-C#KA3	R7F7015824AFE#KA3 or R7F7015824AFD#KA3
R7F7015424AFP-C#KA3	R7F7015424AFE#KA3 or R7F7015424AFD#KA3	R7F7015833AFP-C#KA3	R7F7015833AFE#KA3 or R7F7015833AFD#KA3
R7F7015433AFP-C#KA3	R7F7015433AFE#KA3 or R7F7015433AFD#KA3	R7F7015834AFP-C#KA3	R7F7015834AFE#KA3 or R7F7015834AFD#KA3
R7F7015434AFP-C#KA3	R7F7015434AFE#KA3 or R7F7015434AFD#KA3	R7F7015863AFP-C#KA3	R7F7015863AFE#KA3 or R7F7015863AFD#KA3
R7F7015463AFP-C#KA3	R7F7015463AFE#KA3 or R7F7015463AFD#KA3	R7F7015864AFP-C#KA3	R7F7015864AFE#KA3 or R7F7015864AFD#KA3
R7F7015464AFP-C#KA3	R7F7015464AFE#KA3 or R7F7015464AFD#KA3	R7F7015873AFP-C#BA3	R7F7015873AFE#BA3 or R7F7015873AFD#BA3
R7F7015473AFP-C#KA3	R7F7015473AFE#KA3 or R7F7015473AFD#KA3	R7F7015873AFP-C#KA3	R7F7015873AFE#KA3 or R7F7015873AFD#KA3
R7F7015474AFP-C#KA3	R7F7015474AFE#KA3 or R7F7015474AFD#KA3	R7F7015874AFP-C#KA3	R7F7015874AFE#KA3 or R7F7015874AFD#KA3
R7F7015573AFP-C#KA3	R7F7015573AFE#KA3 or R7F7015573AFD#KA3	R7F7015953AFP-C#KA3	R7F7015953AFE#KA3 or R7F7015953AFD#KA3
R7F7015574AFP-C#KA3	R7F7015574AFE#KA3 or R7F7015574AFD#KA3	R7F7015954AFP-C#KA3	R7F7015954AFE#KA3 or R7F7015954AFD#KA3
R7F7015623AFP-C#KA3	R7F7015623AFE#KA3 or R7F7015623AFD#KA3	R7F7015973AFP-C#KA3	R7F7015973AFE#KA3 or R7F7015973AFD#KA3
R7F7015624AFP-C#KA3	R7F7015624AFE#KA3 or R7F7015624AFD#KA3	R7F7015974AFP-C#KA3	R7F7015974AFE#KA3 or R7F7015974AFD#KA3
R7F7015633AFP-C#KA3	R7F7015633AFE#KA3 or R7F7015633AFD#KA3	R7F7016023AFP-C#KA3	R7F7016023AFE#KA3 or R7F7016023AFD#KA3
R7F7015634AFP-C#KA3	R7F7015634AFE#KA3 or R7F7015634AFD#KA3	R7F7016024AFP-C#KA3	R7F7016024AFE#KA3 or R7F7016024AFD#KA3
R7F7015663AFP-C#KA3	R7F7015663AFE#KA3 or R7F7015663AFD#KA3	R7F7016033AFP-C#KA3	R7F7016033AFE#KA3 or R7F7016033AFD#KA3
R7F7015664AFP-C#KA3	R7F7015664AFE#KA3 or R7F7015664AFD#KA3	R7F7016034AFP-C#KA3	R7F7016034AFE#KA3 or R7F7016034AFD#KA3
R7F7015673AFP-C#KA3	R7F7015673AFE#KA3 or R7F7015673AFD#KA3	R7F7016123AFP-C#KA3	R7F7016123AFE#KA3 or R7F7016123AFD#KA3

Appendix 7: Affect Part Number List (cont.)

Booking Part Number	Suggested Replacement	Booking Part Number	Suggested Replacement
R7F7016124AFP-C#KA3	R7F7016124AFE#KA3 or R7F7016124AFD#KA3	R7F7016843AFP-C#KA1	R7F7016843AFE#KA1 or R7F7016843AFD#KA1
R7F7016133AFP-C#KA3	R7F7016133AFE#KA3 or R7F7016133AFD#KA3	R7F7016844AFP-C#KA1	R7F7016844AFE#KA1 or R7F7016844AFD#KA1
R7F7016134AFP-C#KA3	R7F7016134AFE#KA3 or R7F7016134AFD#KA3	R7F7016853AFP-C#KA1	R7F7016853AFE#KA1 or R7F7016853AFD#KA1
R7F7016224AFP-C#KA3	R7F7016224AFE#KA3 or R7F7016224AFD#KA3	R7F7016854AFP-C#KA1	R7F7016854AFE#KA1 or R7F7016854AFD#KA1
R7F7016233AFP-C#KA3	R7F7016233AFE#KA3 or R7F7016233AFD#KA3	R7F7016863AFP-C#KA1	R7F7016863AFE#KA1 or R7F7016863AFD#KA1
R7F7016234AFP-C#KA3	R7F7016234AFE#KA3 or R7F7016234AFD#KA3	R7F7016864AFP-C#KA1	R7F7016864AFE#KA1 or R7F7016864AFD#KA1
R7F7015603AFP-C#KA3	R7F7015603AFE#KA3 or R7F7015603AFD#KA3	R7F7016463AFP-C#KA1	R7F7016463AFE#KA1 or R7F7016463AFD#KA1
R7F7015604AFP-C#KA3	R7F7015604AFE#KA3 or R7F7015604AFD#KA3	R7F7016473AFP-C#KA1	R7F7016473AFE#KA1 or R7F7016473AFD#KA1
R7F7015613AFP-C#KA3	R7F7015613AFE#KA3 or R7F7015613AFD#KA3	R7F7016483AFP-C#KA1	R7F7016483AFE#KA1 or R7F7016483AFD#KA1
R7F7015614AFP-C#KA3	R7F7015614AFE#KA3 or R7F7015614AFD#KA3	R7F7016493AFP-C#KA1	R7F7016493AFE#KA1 or R7F7016493AFD#KA1
R7F7015803AFP-C#KA3	R7F7015803AFE#KA3 or R7F7015803AFD#KA3	R7F7016343AFP-C#KA1	R7F7016343AFE#KA1 or R7F7016343AFD#KA1
R7F7015804AFP-C#KA3	R7F7015804AFE#KA3 or R7F7015804AFD#KA3	R7F7016443AFP-C#KA1	R7F7016443AFE#KA1 or R7F7016443AFD#KA1
R7F7015813AFP-C#KA3	R7F7015813AFE#KA3 or R7F7015813AFD#KA3	R7F7016453AFP-C#KA1	R7F7016453AFE#KA1 or R7F7016453AFD#KA1
R7F7015814AFP-C#KA3	R7F7015814AFE#KA3 or R7F7015814AFD#KA3	R7F701401EAFB#BA0	R7F701401EAFE#BA0 or R7F701401EAFD#BA0
R7F7016103AFP-C#KA3	R7F7016103AFE#KA3 or R7F7016103AFD#KA3	R7F701401EAFB#KA0	R7F701401EAFE#KA0 or R7F701401EAFD#KA0
R7F7016104AFP-C#KA3	R7F7016104AFE#KA3 or R7F7016104AFD#KA3	R7F701421EAFB#BA0	R7F701421EAFE#BA0 or R7F701421EAFD#BA0
R7F7016114AFP-C#KA3	R7F7016114AFE#KA3 or R7F7016114AFD#KA3	R7F701421EAFB#KA0	R7F701421EAFE#KA0 or R7F701421EAFD#KA0
R7F7016203AFP-C#KA3	R7F7016203AFE#KA3 or R7F7016203AFD#KA3	R7F701402EAFB#KA0	R7F701402EAFE#KA0 or R7F701402EAFD#KA0
R7F7016204AFP-C#KA3	R7F7016204AFE#KA3 or R7F7016204AFD#KA3	R7F701422EAFB#BA0	R7F701422EAFE#BA0 or R7F701422EAFD#BA0
R7F7016213AFP-C#KA3	R7F7016213AFE#KA3 or R7F7016213AFD#KA3	R7F701422EAFB#KA0	R7F701422EAFE#KA0 or R7F701422EAFD#KA0
R7F7016214AFP-C#KA3	R7F7016214AFE#KA3 or R7F7016214AFD#KA3	R7F701403EAFB#KA0	R7F701403EAFE#KA0 or R7F701403EAFD#KA0