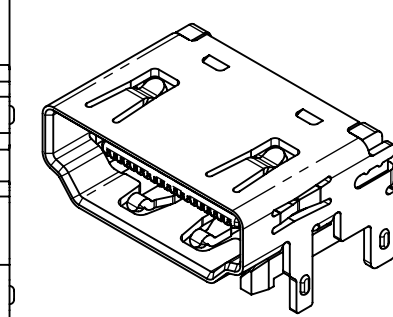
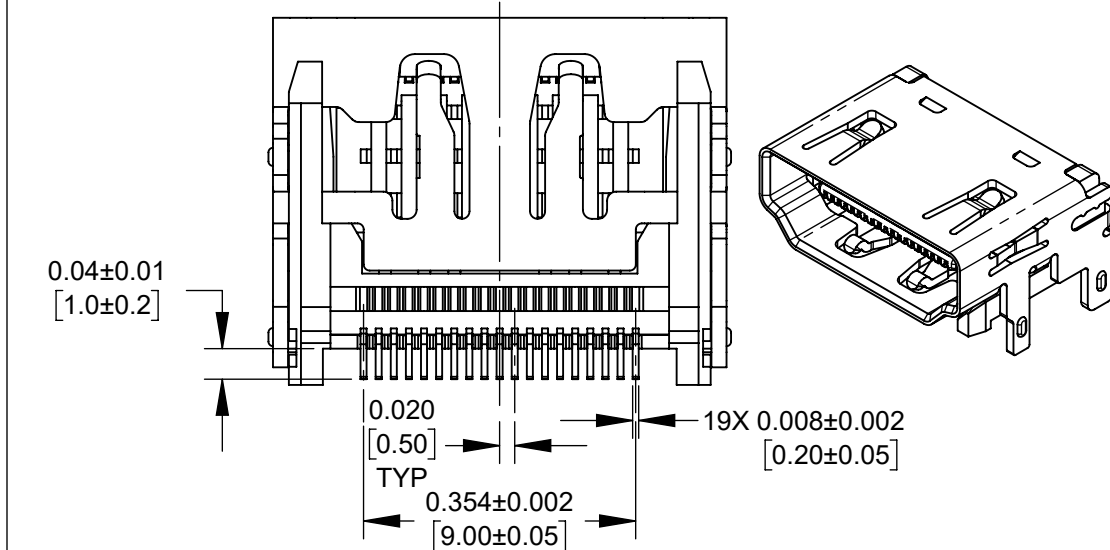


RECOMMENDED PCB LAYOUT
COMPONENT SIDE
 UNSPECIFIED TOLERANCES ±0.002 [0.05]

- NOTES:
- PARTS SUPPLIED ON TAPE AND REEL.
 REEL SIZE ϕ 13.0 [330] PLASTIC, 350 PARTS PER REEL
 TAPE CONFORMS TO ANSI/EIA-481
 - MATERIALS:
 HOUSING - BLACK LCP
 SHELL - BRASS, NICKEL PLATED
 CONTACTS - BRASS, GOLD FLASH IN CONTACT AREA, TIN IN SOLDER AREA
 - ELECTRICAL CHARACTERISTICS:
 CURRENT RATING - 0.5 AMP
 VOLTAGE RATING - 40V
 - MECHANICAL CHARACTERISTICS:
 INSERTION FORCE - 4.5Kgf MAX
 WITHDRAWAL FORCE - 1.0~1.4 Kgf (INITIAL)
 LIFE TEST - 5,000 CYCLES
 OPERATING TEMPERATURE -25°C TO +85°C
 - THIS PRODUCT IS RoHS COMPLIANT.

CUSTOMER DRAWING



REV	ECO NUMBER	DATE	BY	APVD
A	28330	10/22/20	PC	TJK

REVISIONS

UNLESS OTHERWISE SPECIFIED

1. ALL DIMENSIONS IN INCHES [mm]
 - TWO PLACE DECIMALS ±0.02 [0.5]
 - THREE PLACE DECIMALS ±0.005 [0.13]

DO NOT SCALE DRAWING

THIS DRAWING DESCRIBES A DESIGN CONSIDERED PROPRIETARY IN NATURE, DEVELOPED AND MANUFACTURED BY SWITCHCRAFT INC. AND IS RELEASED ON A CONFIDENTIAL BASIS FOR IDENTIFICATION PURPOSES ONLY.									
SIZE	WIDTH	MULT	LBS/M	TEMPER					
FINISH SPEC No.					MATERIAL SPEC No.				
FIRST USED ON					SCALE 4:1				
DATE DRAWN	BY	CHKD	APVD						
8/4/20	FM	FM	TJK						
			8/4/20	8/27/20					
NAME HDMI TYPE A CONNECTOR, RIGHT ANGLE FEMALE SMT, RoHS								PART No. RAHHD19TR	
								REV A	