

NOTES:

1. ALL DIMENSIONS FOR REFERENCE ONLY.
2. MATERIALS:
HOUSING AND END PANELS - ALUMINUM, BLACK ANODIZED
COMPONENT PANELS - ALUMINUM, RED ANODIZED
3. LASER ETCHED WHITE TEXT AND ARTWORK.
4. THIS PRODUCT IS RoHS COMPLIANT.

CUSTOMER DRAWING

					THIS DRAWING DESCRIBES A DESIGN CONSIDERED PROPRIETARY IN NATURE, DEVELOPED AND MANUFACTURED BY SWITCHCRAFT INC. AND IS RELEASED ON A CONFIDENTIAL BASIS FOR IDENTIFICATION PURPOSES ONLY.						
UNLESS OTHERWISE SPECIFIED					SIZE	WIDTH	MULT	LBS/M	TEMPER		
1. ALL DIMENSIONS IN INCHES					FINISH				MATERIAL		
- TWO PLACE DECIMALS ±0.02					SPEC No.				SPEC No.		
- THREE PLACE DECIMALS ±0.005					FIRST USED ON		SCALE				
							1:1				
B	27673	5-1-16	TO	TJK	DATE DRAWN	BY	CHKD	APVD	Switchcraft®		
A	26565	7-20-10	BHM	TJK	3/2/10	BHM	TJK	BHM			
REV	ECO NUMBER	DATE	BY	APVD	NAME				PART No.	REV	
REVISIONS					DO NOT SCALE DRAWING				A/V DIRECT BOX	SC700CT	B

SC700CT A/V Direct Box

Audio Specifications

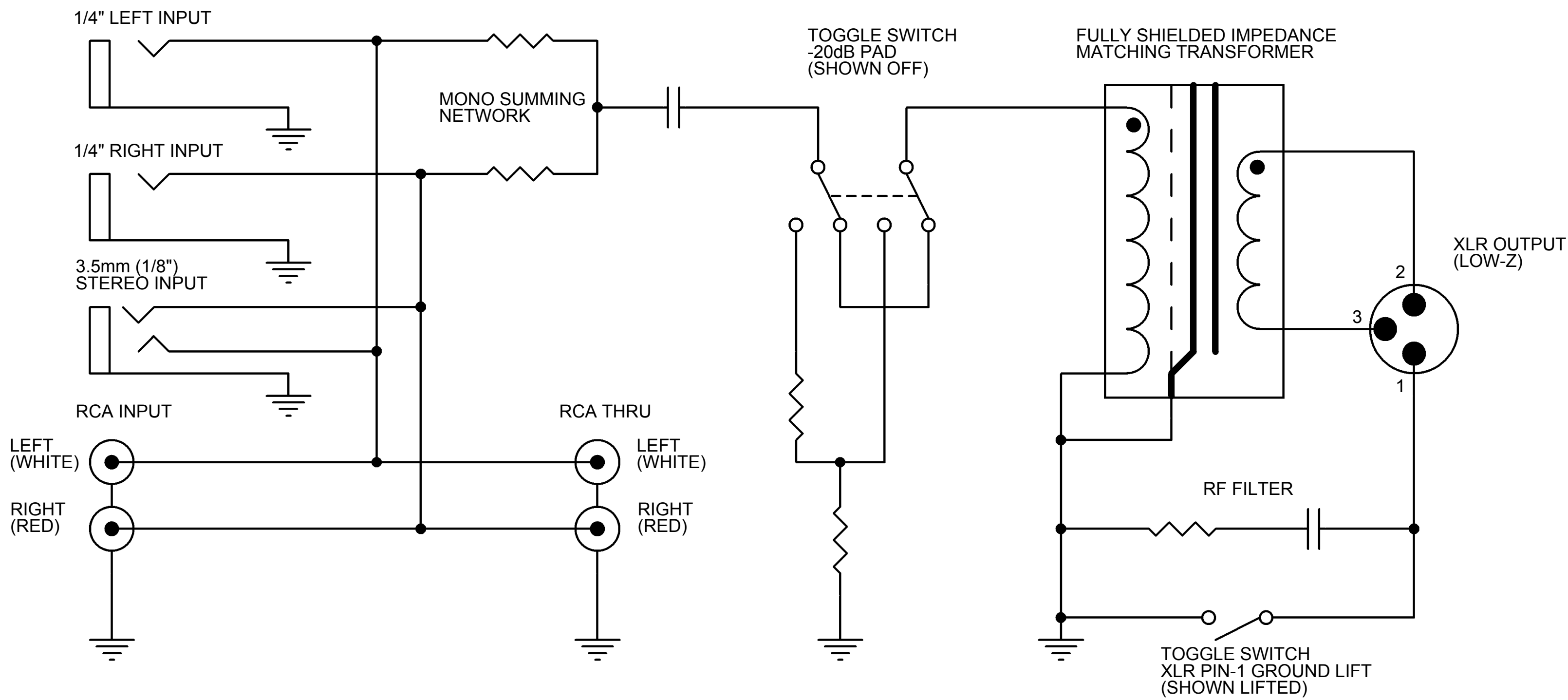
Switchcraft®

Parameter	Performance	Conditions
Frequency Response	20Hz - 20kHz	+/-0.3dB, ref 1kHz
Total Harmonic Distortion + Noise	< 0.009% < 0.5%	at 1kHz, +4dBu Input, 22kHz Bandwidth at 20Hz, +4dBu Input, 22kHz Bandwidth
Maximum Input Level	+18dBu	at 20Hz with 1% THD+Noise
Input Impedance	> 120kΩ	at 1kHz
Output Impedance	< 50Ω	at 1kHz
Common Mode Rejection Ratio (CMRR)	> 85dB	at 60Hz
Deviation from Linear Phase	< 7° < 1° < 13°	at 20Hz at 1kHz at 20kHz
Voltage Gain	-23dB -43dB	+/-1dB +/-1dB with 20dB pad engaged
Pad Attenuation	20dB	+/-1dB

Notes: All measurements were taken with a 25Ω unbalanced source and measured from the XLR with a 1kΩ balanced load.
Specifications subject to change without notice.

CUSTOMER DRAWING

SCALE 1:1	Switchcraft®	
DATE DRAWN 3/2/10		
DRAWN BY BHM	PART No. SC700CT	REV B



CUSTOMER DRAWING

SCALE 1:1	Switchcraft®	
DATE DRAWN 3/2/10		
DRAWN BY BHM	PART No. SC700CT	REV B