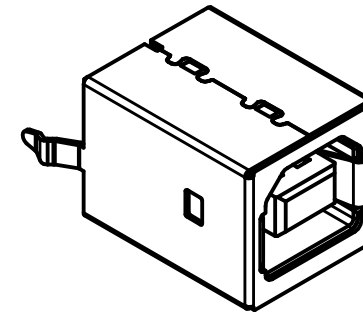
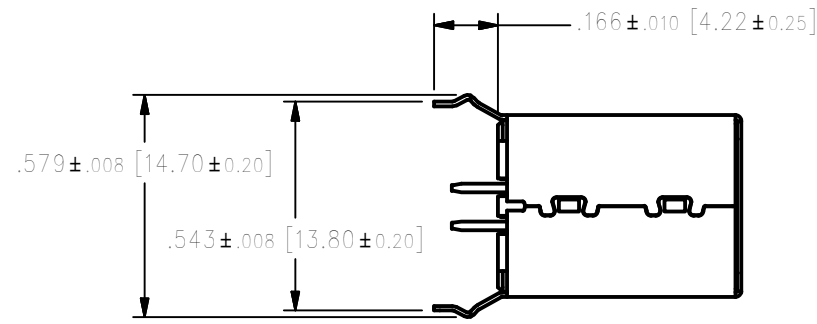
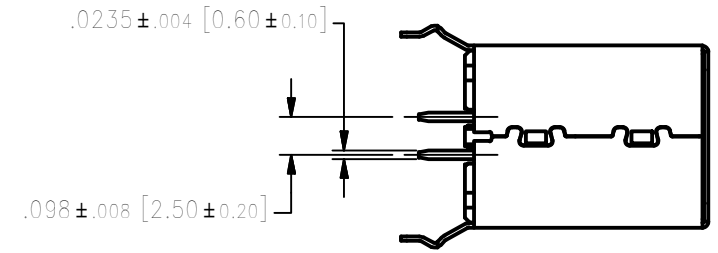
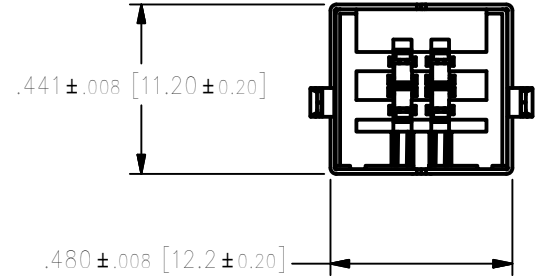
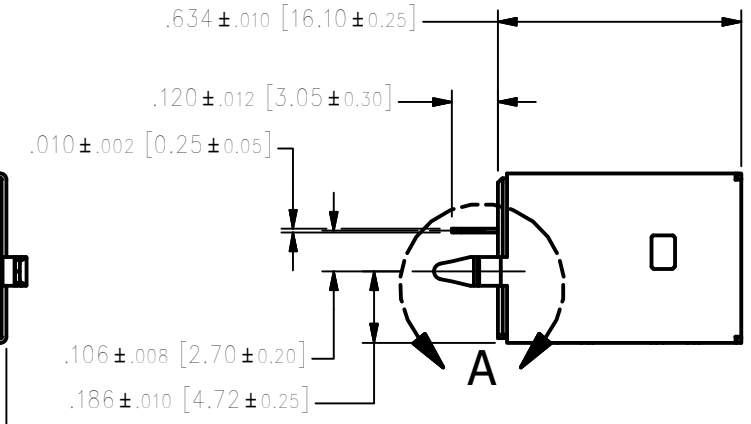
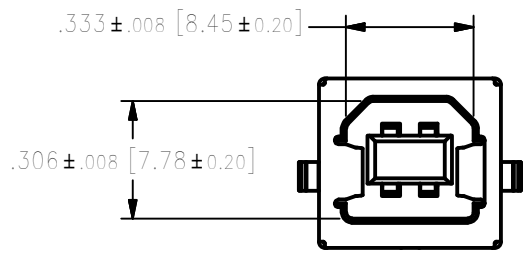


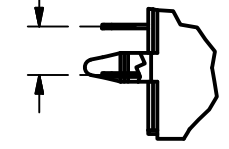
DATE	REV	ECN	APP'D BY
10/3/2018	A0		A. BAUM



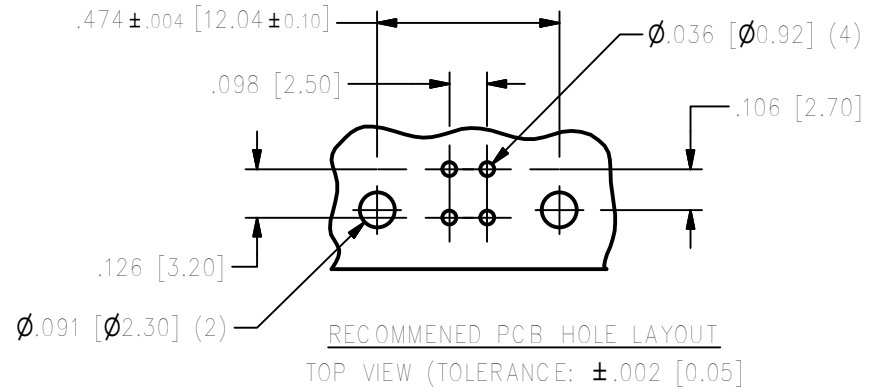
- NOTES:**
- Material
 - Hsg: LCP ; UL94V-0; Color: NATURAL
 - Contact: Copper Alloy,
 - Shell: Copper Alloy
 - Finish:
 - Contct: Nickel Plated; Au Plating On Contact Area
See Chart for Part Number;
TIN On Solder Tail.
 - Shell: Nickel Plating.
 - For Product specifications See PR044-02



CONTACT PLATING IN MATING AREA	PART NUMBER
30u" [1.27um]	SS-52300-002



DETAIL A
SCALE 2 : 1



CT Jack

THIRD ANGLE PROJECTION 	 a bel group	11118 Susquehanna Trail South Glen Rock, PA 17327-9199 (717) 235-7512 http://www.stewartconnector.com
DO NOT SCALE DRAWING DRAWING IS SUBJECT TO CHANGE WITHOUT NOTICE	TITLE: USB B TYPE DIP 180 DEG	
DIMENSIONS: INCHES [METRIC]	THIS DRAWING AND THE SUBJECT MATTER SHOWN THEREON ARE CONFIDENTIAL AND THE PROPRIETARY PROPERTY OF STEWART CONNECTOR AND SHALL NOT BE REPRODUCED, COPIED, OR USED IN ANY MANNER WITHOUT PRIOR WRITTEN CONSENT OF STEWART CONNECTOR. THIS PRODUCT MAY BE PROTECTED BY ONE OR MORE OF THE FOLLOWING US PATENTS: 5791942 6217391 6368159 6419526 6602097 687722 6964587 7048590 7086909 7568950 7686650 OTHER PATENTS MAY BE PENDING.	
UNLESS OTHERWISE SPECIFIED TOLERANCES ARE ±.005 [0.13] ANGLES ARE ± 1°	DRN BY: G. LUCAS APPD BY: A. BAUM DWG NO: CT520010	DATE: 10/3/2018 DATE: 10/3/2018 REV: A0
SHEET NO. 1 OF 1	Inventor	