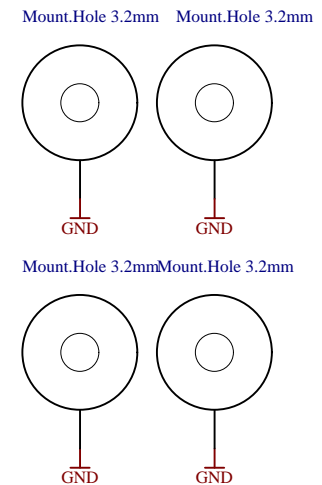
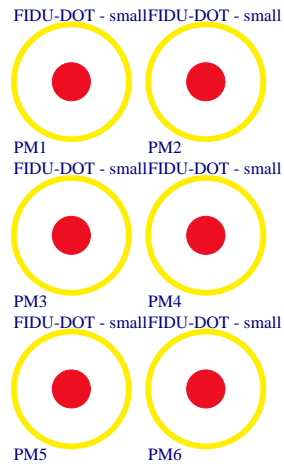
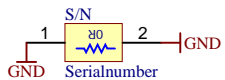
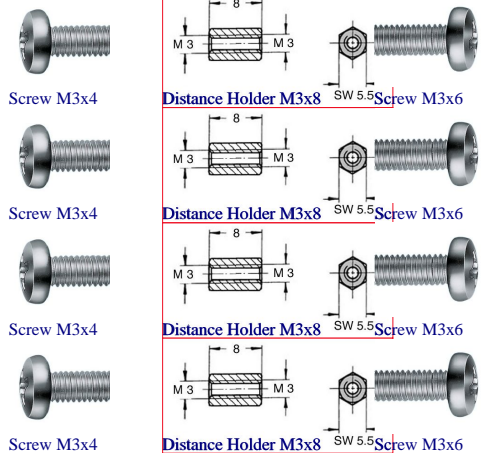


- U_B2B-Connectors
- B2B-Connectors.SchDoc
- U_B13
- B13.SchDoc
- U_B14
- B14.SchDoc
- U_B15
- B15.SchDoc
- U_B16
- B16.SchDoc
- U_B34
- B34.SchDoc
- U_FPGA-MGT
- FPGA-MGT.SchDoc
- U_FPGA-CFG
- FPGA-CFG.SchDoc
- U_FPGA-PWR
- FPGA-PWR.SchDoc
- U_Clock
- Clock.SchDoc
- U_DDR3-RAM
- DDR3-RAM.SchDoc
- U_USB
- USB.SchDoc
- U_CPLD
- CPLD.SchDoc
- U_PWR1
- PWR1.SchDoc
- U_PWR2
- PWR2.SchDoc

Serial
 Serialnumber 6,3 x 6.3mm



Top of Board



Title: TE0713		
A4	Number: TE0713 TE0713-200-2C	Rev. 01
Date: 2016-06-30	Copyright: Trenz Electronic GmbH	Page 1 of 16
Filename: TE0713.SchDoc		

1

2

3

4

A

A

B

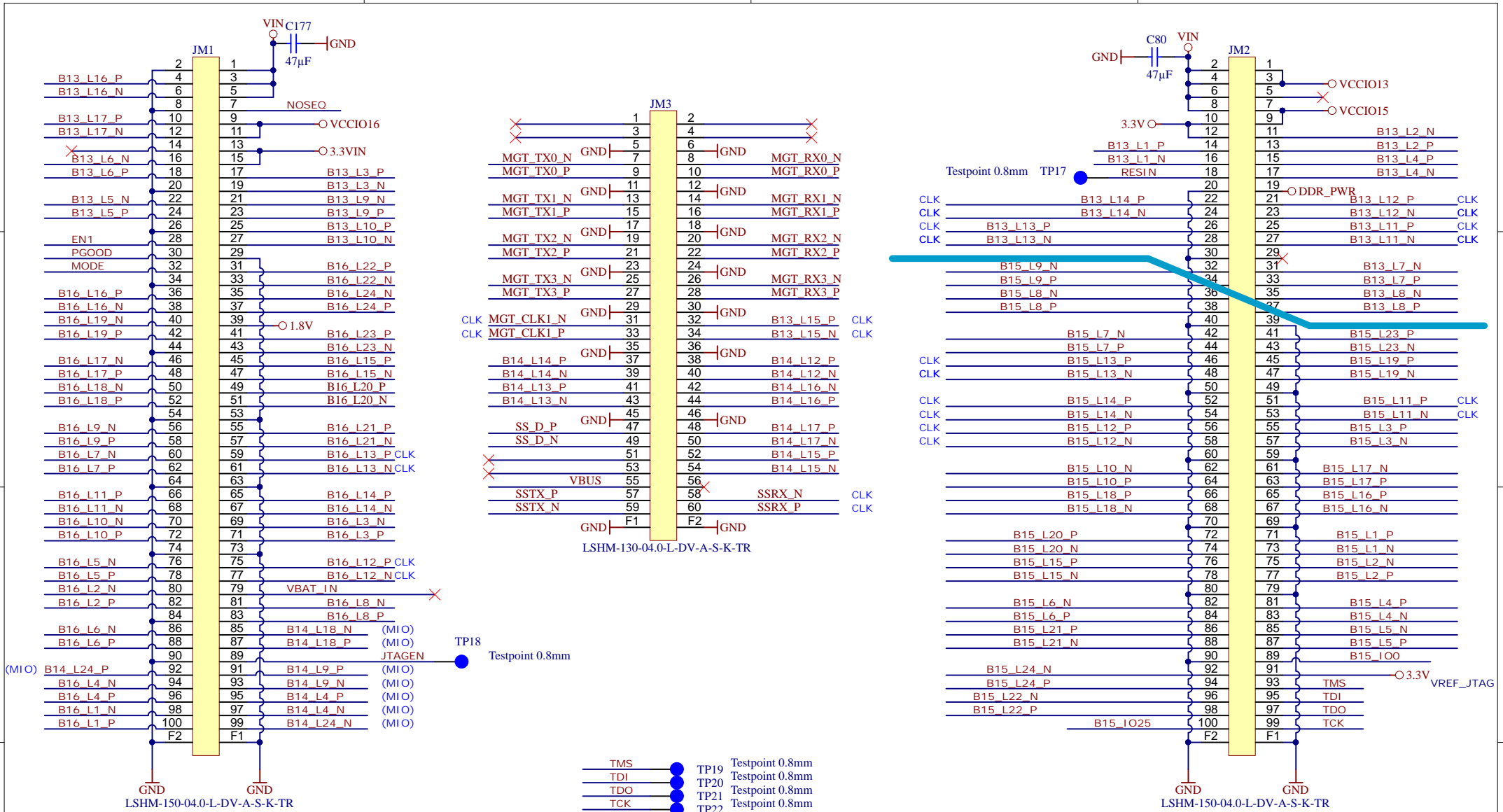
B

C

C

D

D



- TMS ● TP19 Testpoint 0.8mm
- TDI ● TP20 Testpoint 0.8mm
- TDO ● TP21 Testpoint 0.8mm
- TCK ● TP22 Testpoint 0.8mm



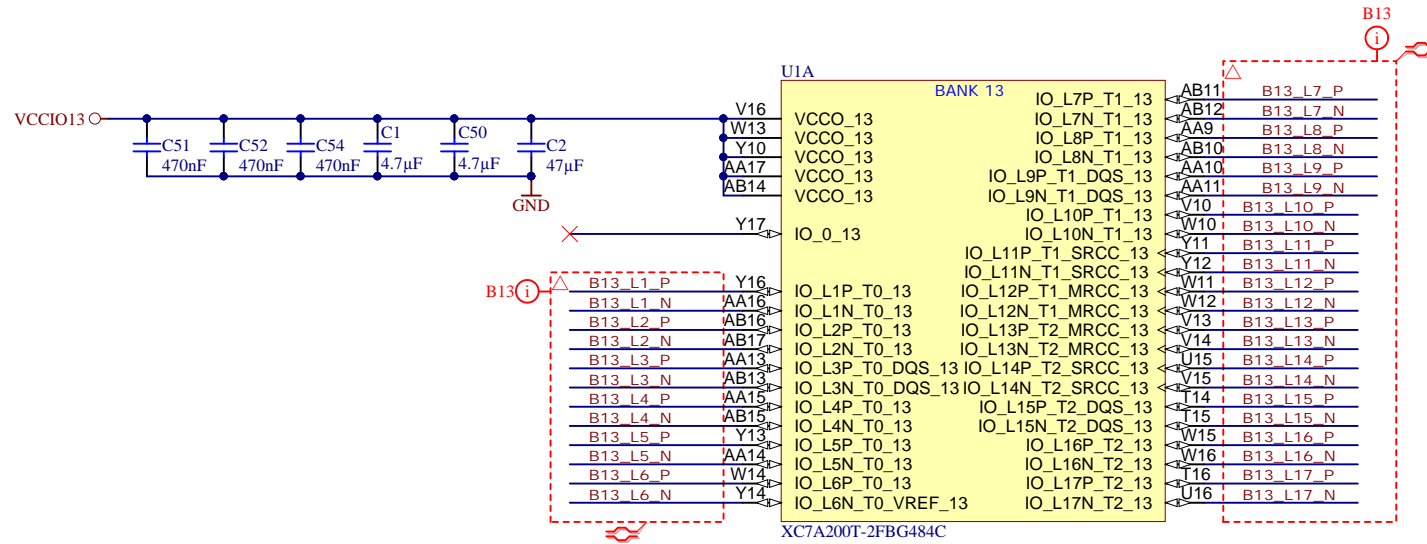
Title: B2B		
A4	Number: TE0713 TE0713-200-2C	Rev. 01
Date: 2016-06-30	Copyright: Trenz Electronic GmbH	
Page 2		of 16
Filename: B2B-Connectors.SchDoc		

1

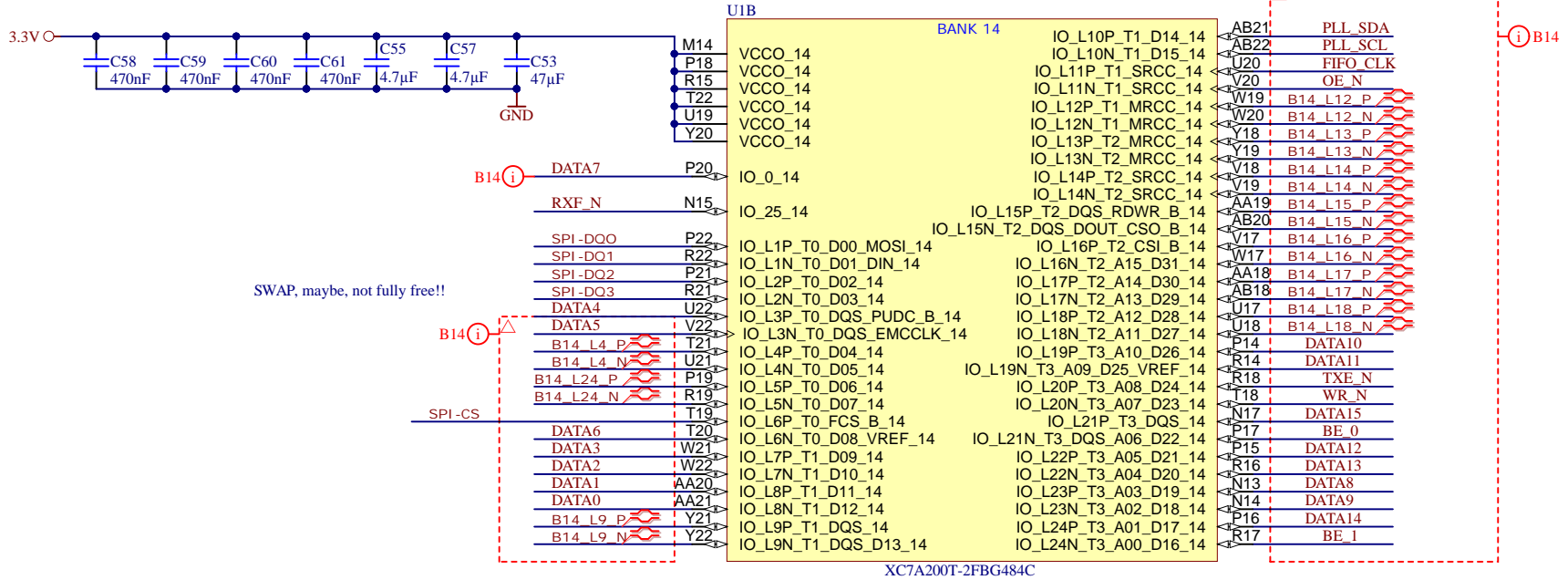
2

3

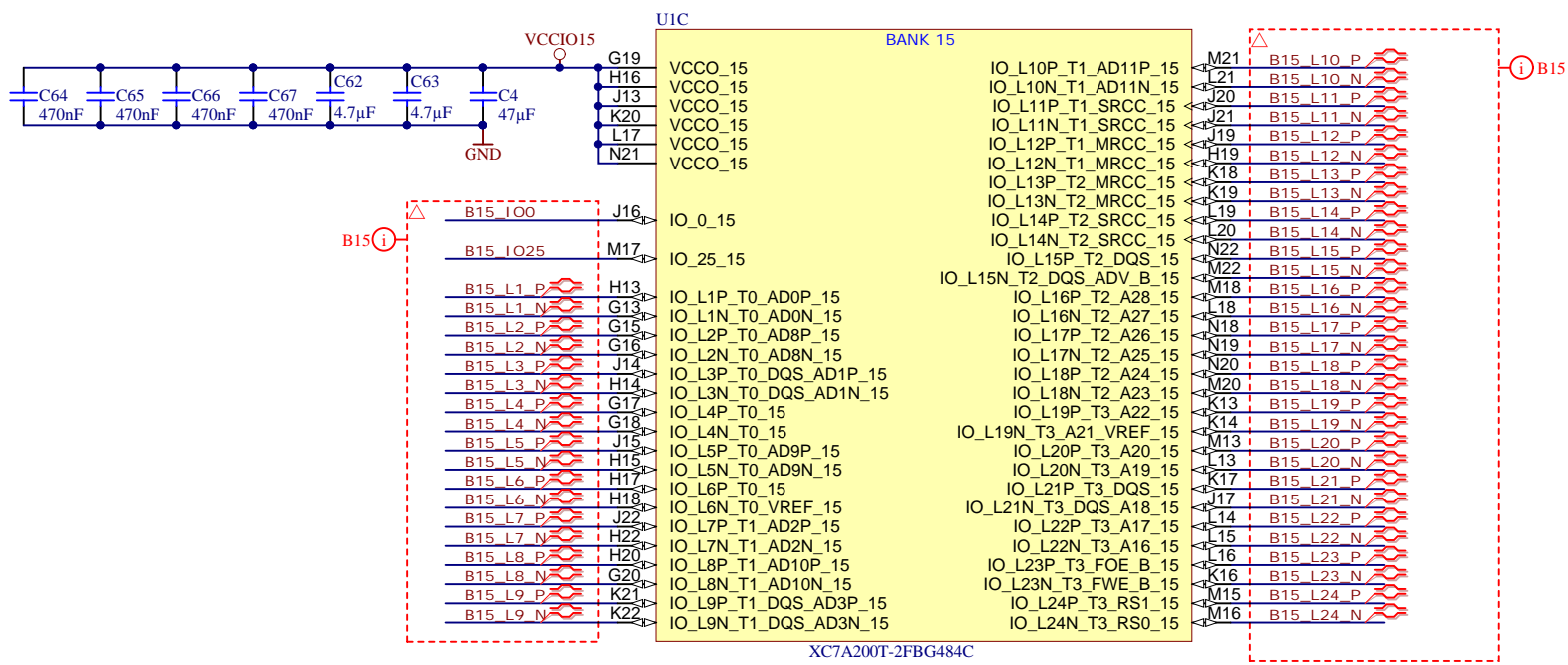
4



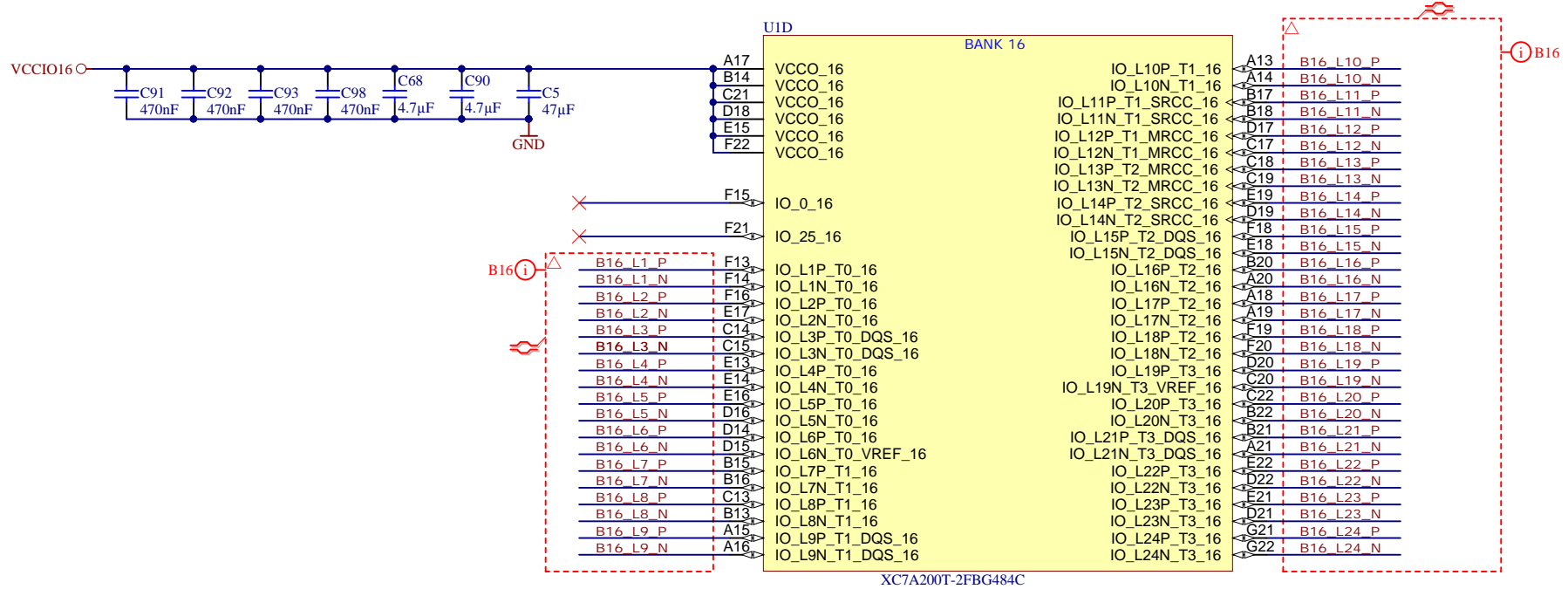

Title: B13		
A4	Number: TE0713 TE0713-200-2C	Rev. 01
Date: 2016-06-30	Copyright: Trenz Electronic GmbH	Page 3 of 16
Filename: B13.SchDoc		



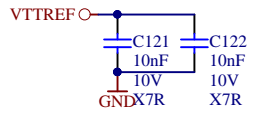
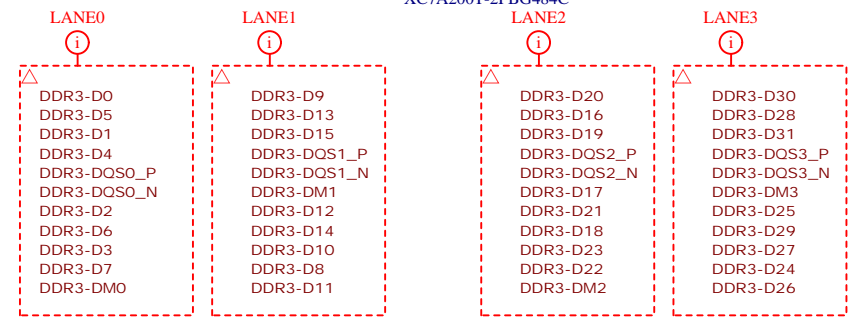
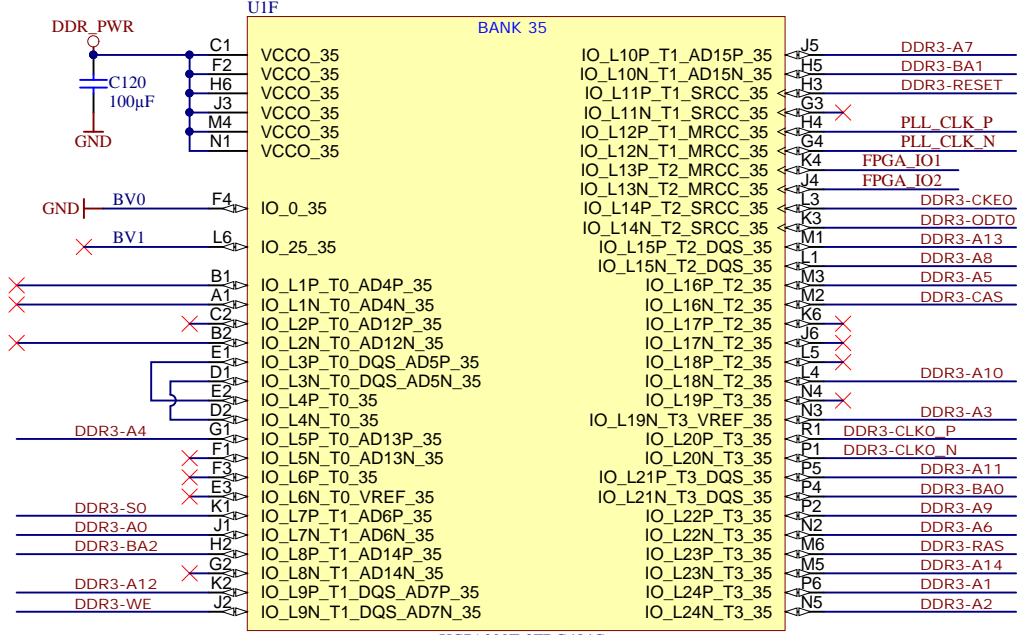
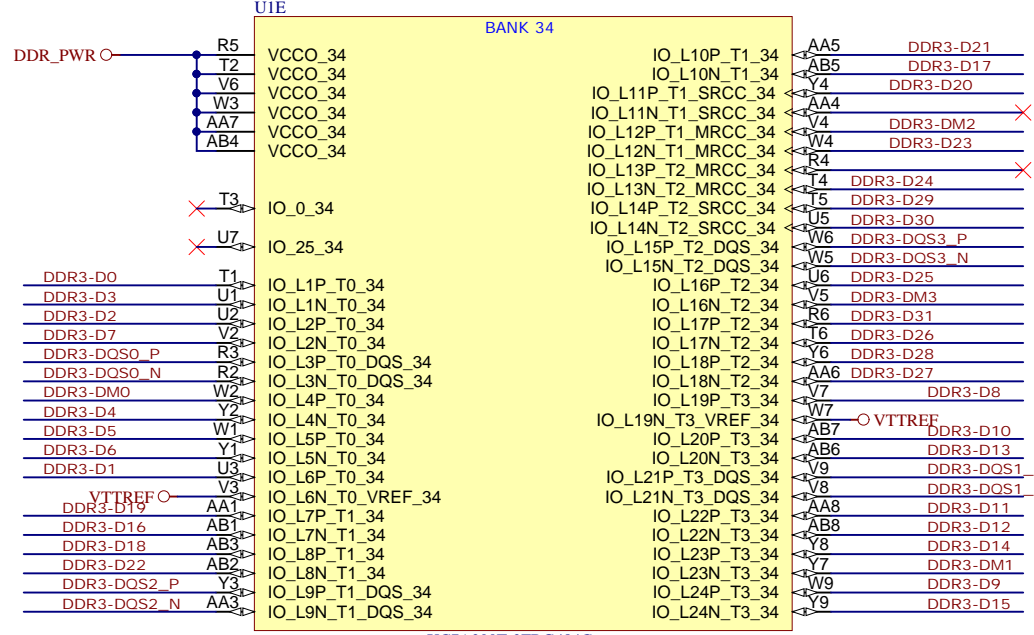
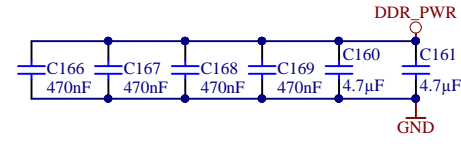
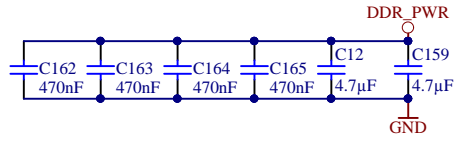
Title: B14		
A4	Number: TE0713 TE0713-200-2C	Rev. 01
Date: 2016-06-30	Copyright: Trenz Electronic GmbH	Page 4 of 16
Filename: B14.SchDoc		



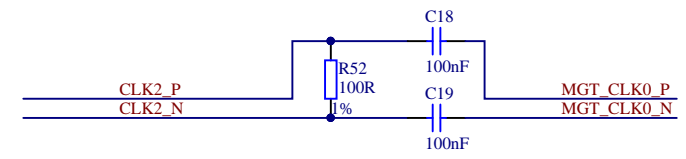
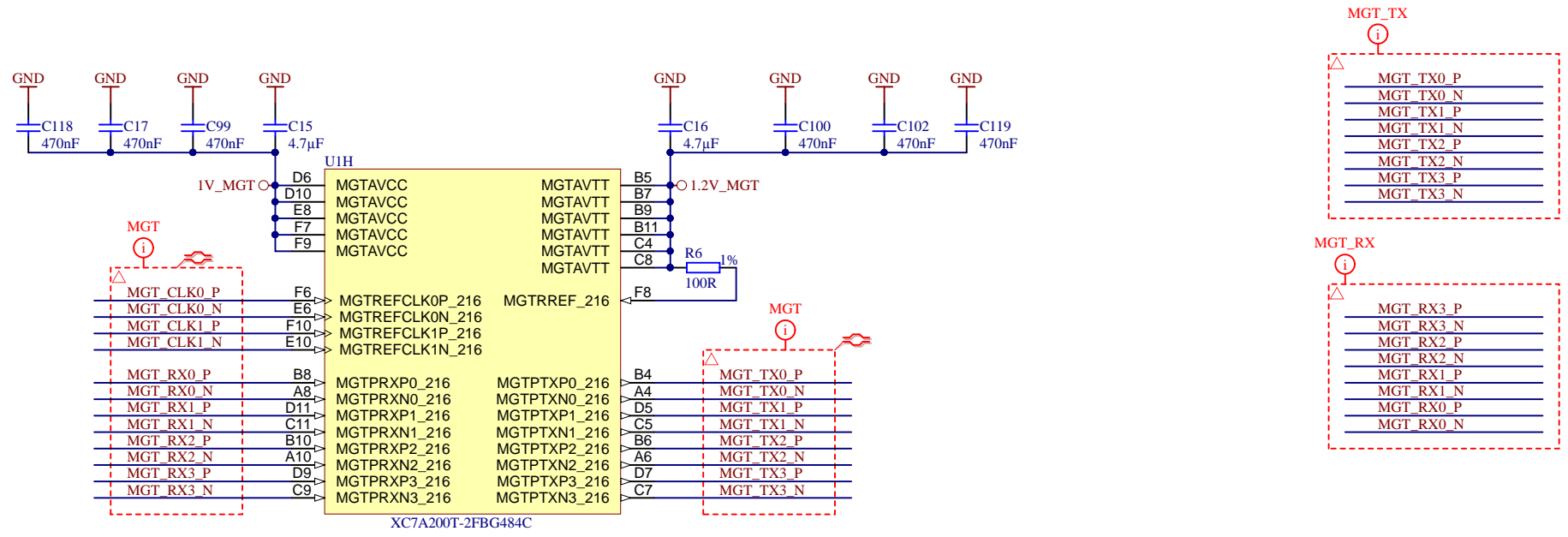
Title: B15		
A4	Number: TE0713 TE0713-200-2C	Rev. 01
Date: 2016-06-30	Copyright: Trenz Electronic GmbH	Page 5 of 16
Filename: B15.SchDoc		

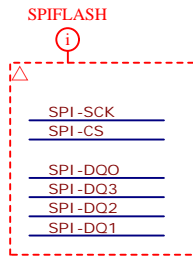
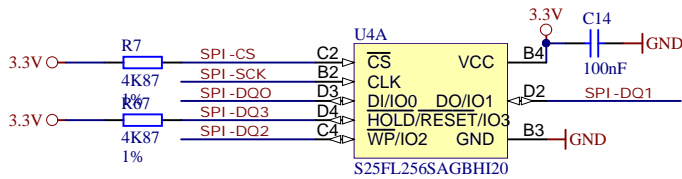
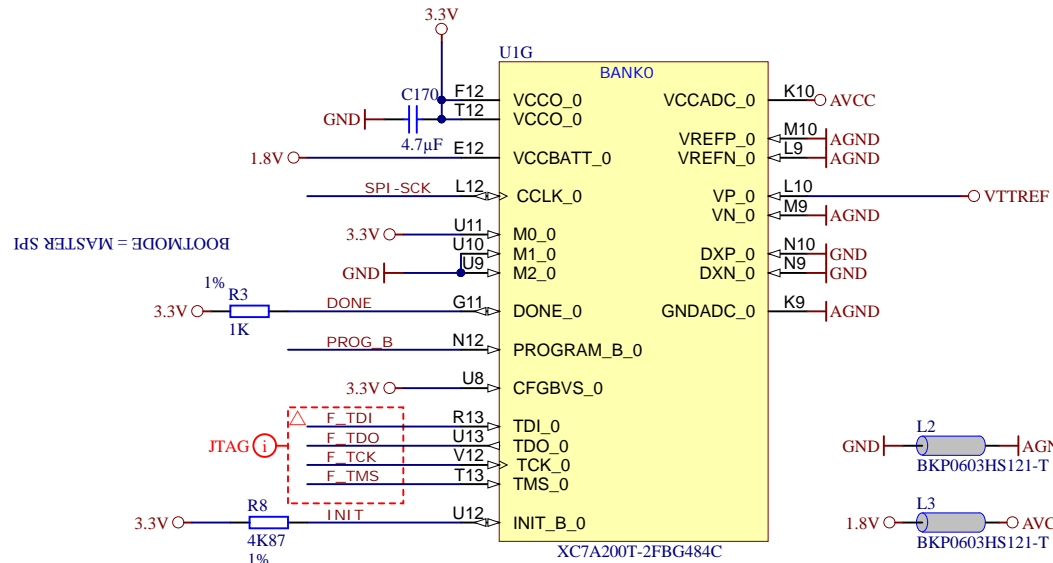
Title: B16		
A4	Number: TE0713 TE0713-200-2C	Rev. 01
Date: 2016-06-30	Copyright: Trenz Electronic GmbH	Page6 of 16
Filename: B16.SchDoc		



Title: B34		
A4	Number: TE0713 TE0713-200-2C	Rev. 01
Date: 2016-06-30	Copyright: Trenz Electronic GmbH	Page 7 of 16
Filename: B34.SchDoc		



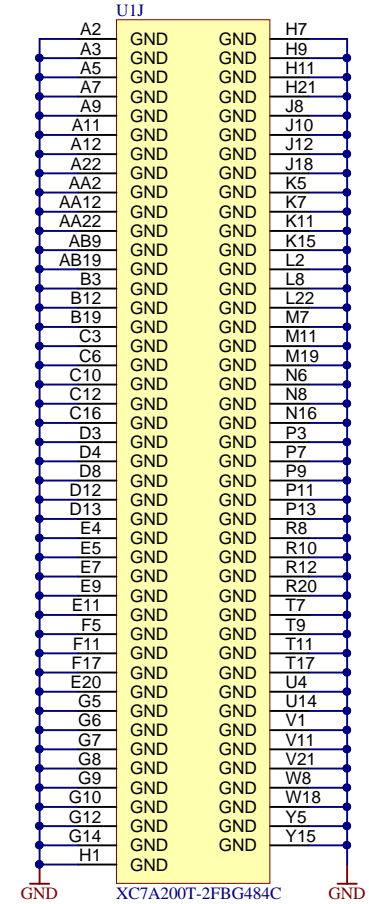
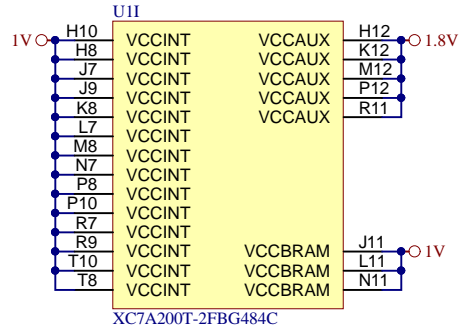
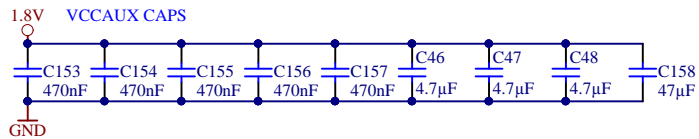
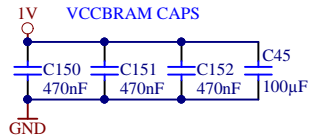
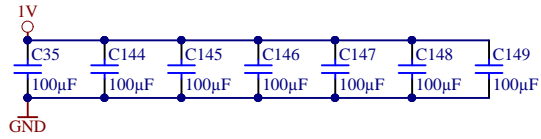
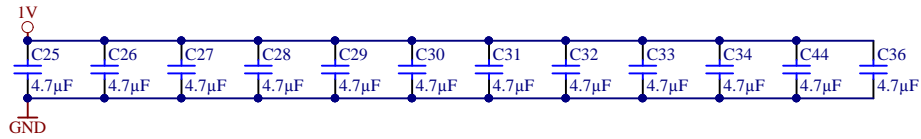
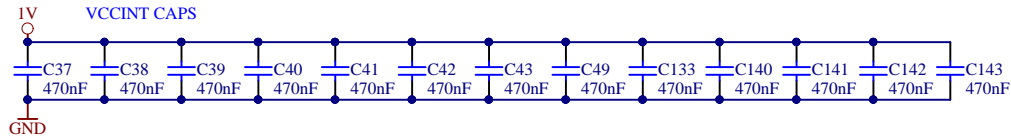
	Title: MGT		
	A4	Number: TE0713 TE0713-200-2C	Rev. 01
	Date: 2016-06-30	Copyright: Trenz Electronic GmbH	Page 8 of 16
	Filename: FPGA-MGT.SchDoc		



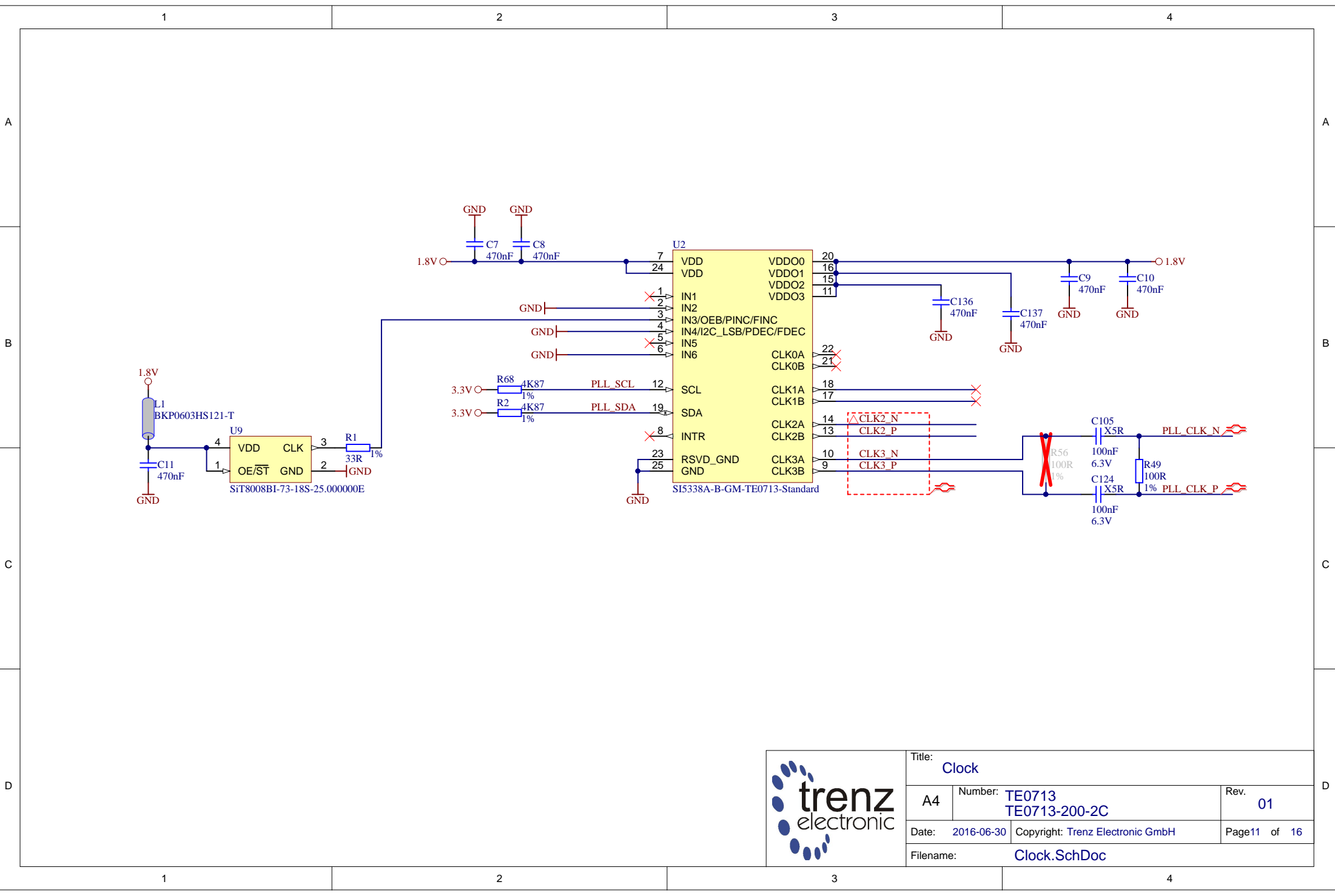
trenz electronic

Title: CFG

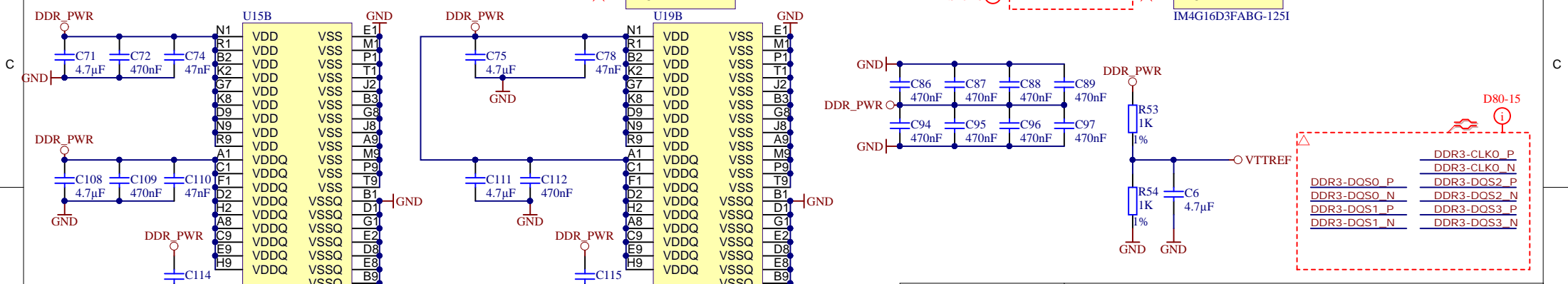
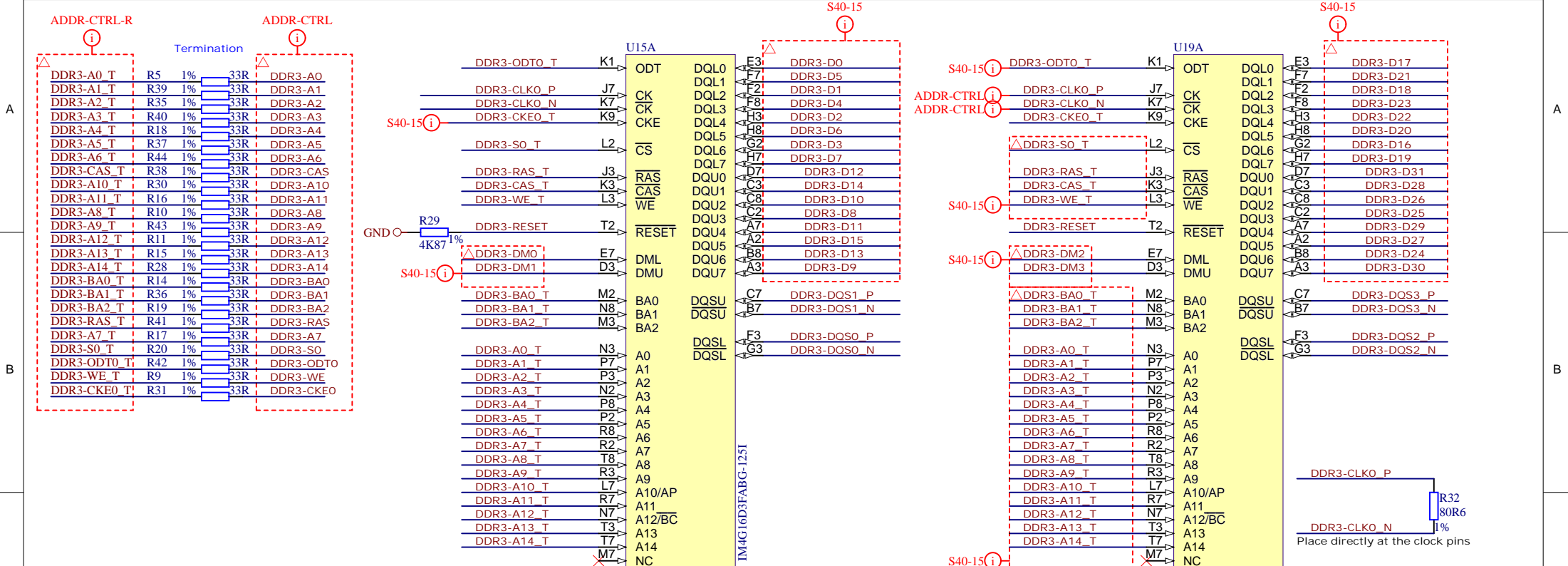
A4	Number: TE0713 TE0713-200-2C	Rev. 01
Date: 2016-06-30	Copyright: Trenz Electronic GmbH	Page9 of 16
Filename: FPGA-CFG.SchDoc		



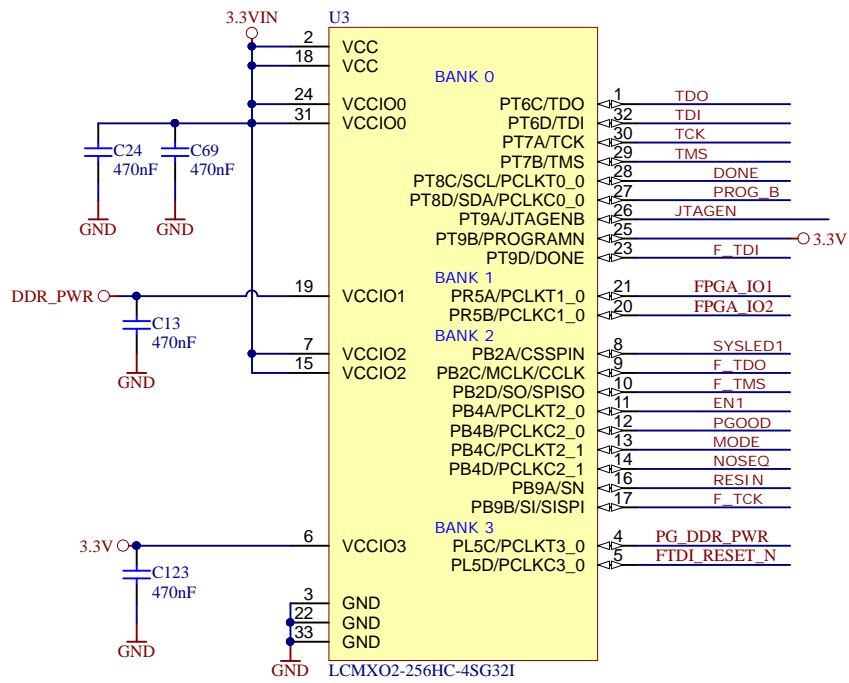
Title: PWR		
A4	Number: TE0713 TE0713-200-2C	Rev. 01
Date: 2016-06-30	Copyright: Trenz Electronic GmbH	Page 10 of 16
Filename: FPGA-PWR.SchDoc		




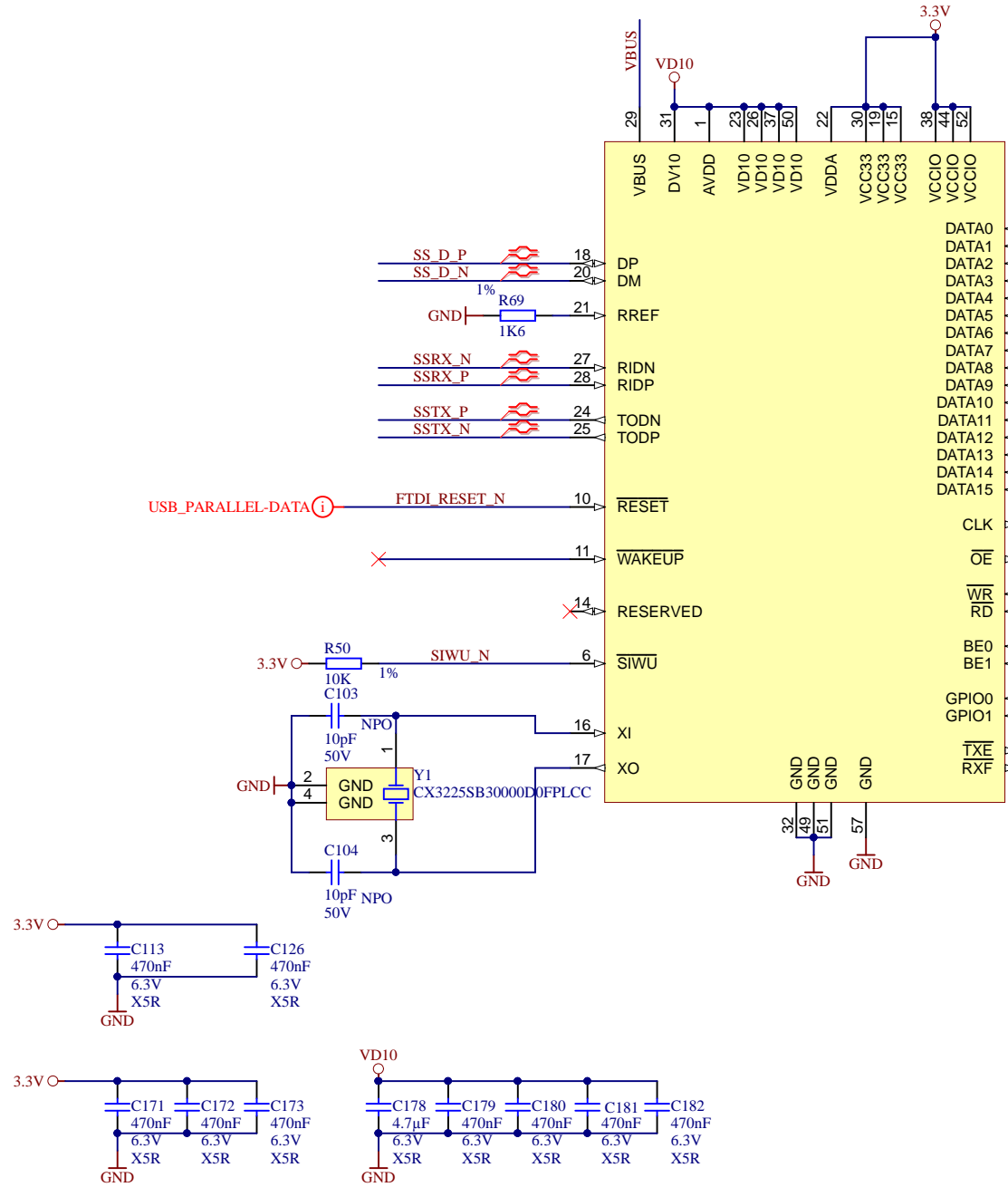
Title: Clock		
A4	Number: TE0713 TE0713-200-2C	Rev. 01
Date: 2016-06-30	Copyright: Trenz Electronic GmbH	Page 11 of 16
Filename: Clock.SchDoc		



Title: DDR3		
A4	Number: TE0713 TE0713-200-2C	Rev. 01
Date: 2016-06-30	Copyright: Trenz Electronic GmbH	Page 12 of 16
Filename: DDR3-RAM.SchDoc		

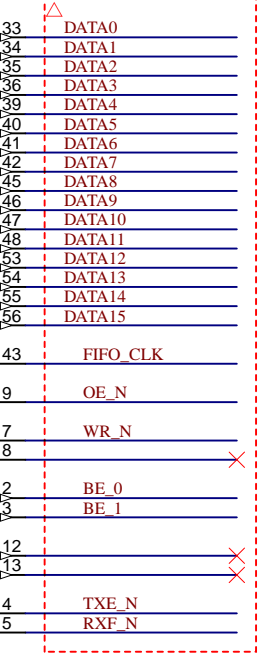


	Title: CPLD		
	A4	Number: TE0713 TE0713-200-2C	Rev. 01
	Date: 2016-06-30	Copyright: Trenz Electronic GmbH	Page 13 of 16
	Filename: CPLD.SchDoc		



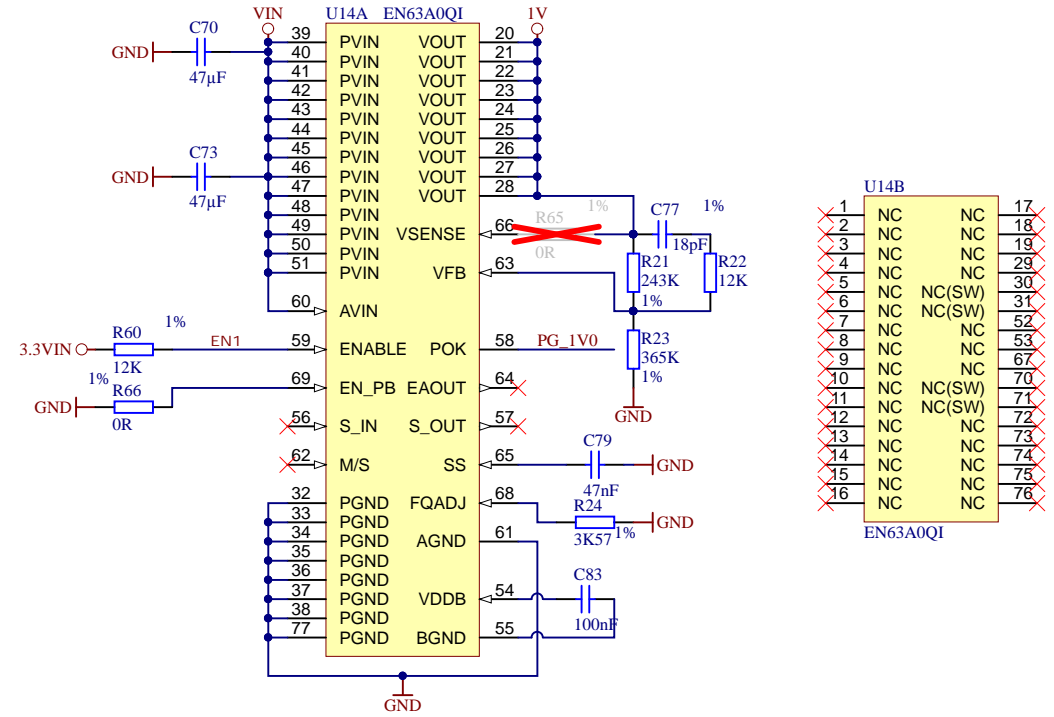
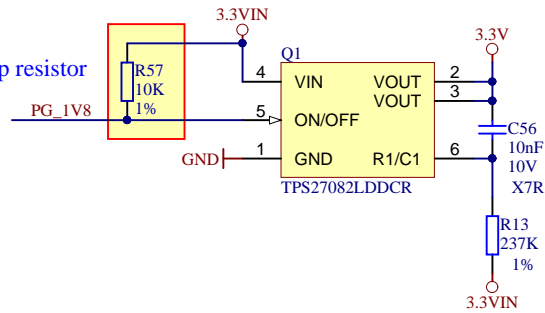
U11
FT600Q

USB_PARALLEL-DATA



Title: TE0713 - FTDI USB		
A4	Number: TE0713 TE0713-200-2C	Rev. 01
Date: 2016-06-30	Copyright: Trenz Electronic GmbH	Page 14 of 16
Filename: USB.SchDoc		

Patch on the PCB: Added pull-up resistor

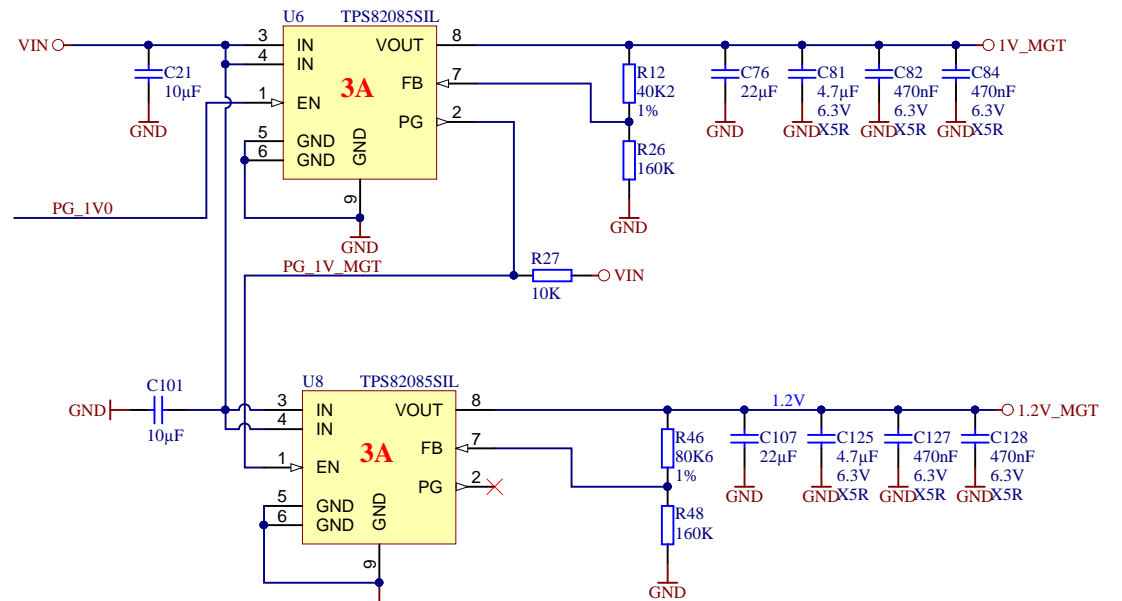
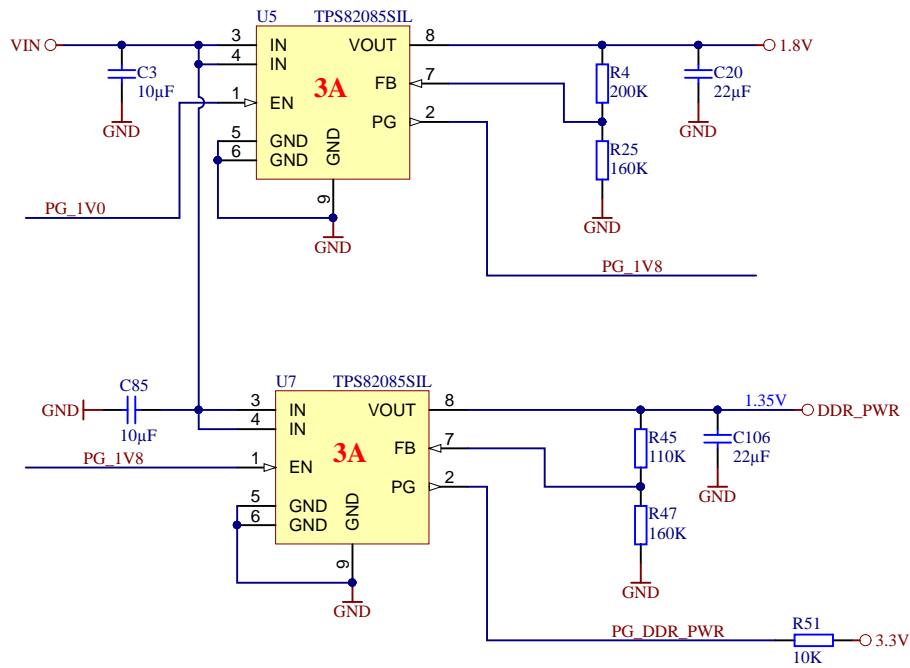


U14B		EN63A0QI	
1	NC	NC	17
2	NC	NC	18
3	NC	NC	19
4	NC	NC	29
5	NC	NC(SW)	30
6	NC	NC(SW)	31
7	NC	NC(SW)	52
8	NC	NC	53
9	NC	NC	67
10	NC	NC	70
11	NC	NC(SW)	71
12	NC	NC(SW)	72
13	NC	NC	73
14	NC	NC	74
15	NC	NC	75
16	NC	NC	76

R65	R66	MODE	EN63A0QI
OK	X		enable pre-bias start-up
X	OK		disable pre-bias start-up

- VIN ○ TP1 ● Testpoint 0.8mm
- 1V ○ TP2 ● Testpoint 0.8mm
- GND TP6 ● Testpoint 0.8mm
- 3.3VIN ○ TP4 ● Testpoint 0.8mm
- 1.2V_MGT ○ TP5 ● Testpoint 0.8mm
- GND TP9 ● Testpoint 0.8mm
- 3.3V ○ TP7 ● Testpoint 0.8mm
- VCCIO13 ○ TP8 ● Testpoint 0.8mm
- GND TP12 ● Testpoint 0.8mm
- 1.8V ○ TP10 ● Testpoint 0.8mm
- VCCIO15 ○ TP11 ● Testpoint 0.8mm
- GND TP15 ● Testpoint 0.8mm
- DDR_PWR ○ TP13 ● Testpoint 0.8mm
- VCCIO16 ○ TP14 ● Testpoint 0.8mm
- GND TP16 ● Testpoint 0.8mm
- VTTREF ○ TP3 ● Testpoint 0.8mm

Title: PWR		
A4	Number: TE0713 TE0713-200-2C	Rev. 01
Date: 2016-06-30	Copyright: Trenz Electronic GmbH	Page15 of 16
Filename: PWR1.SchDoc		



	Title: PWR		
	A4	Number: TE0713 TE0713-200-2C	Rev. 01
	Date: 2016-06-30	Copyright: Trenz Electronic GmbH	Page 16 of 16
	Filename: PWR2.SchDoc		