

**NOTES:**

- ① MAT'L: COPPER (STOCK TKN.  $\frac{.031}{.031}$ )
- ② PLATING: ELECTRO TIN (.0003 MIN)
- ③ TIN-PLATED BRASS FUNNEL FERRULE
- ⑤ NYLON INSULATION (COLOR CODED BLUE)

STUD SIZES: ( $\pm .005$ )

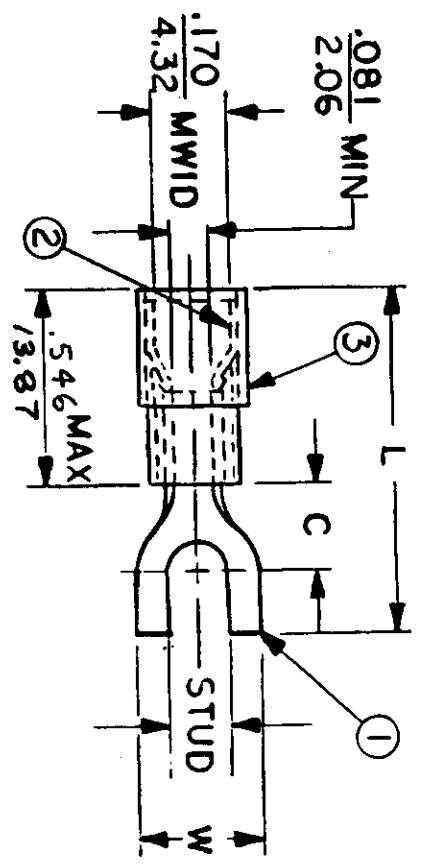
- 02 = .094
- 04 = .119
- 06 = .146
- 08 = .173
- 10 = .198
- 14 = .265
- 56 = .328
- 38 = .390

"UL" LISTING #E32244  
 "CSA" LISTING #18689

WIRE SIZE: 16-14 AWG  
 1.0-2.5 MM<sup>2</sup>

ALL DIMENSIONS =  $\frac{\text{INCHES}}{\text{MM}}$

(MWID) = DENOTES MAXIMUM WIRE INSULATION DIAMETER



FILE NO. B-CD-503-02

PART NUMBER	"W" $\pm .010$	"C" MIN.	"L" MAX.	AVAILABLE STUD SIZES
B-507-	$\frac{.245}{6.22}$	$\frac{.209}{5.31}$	$\frac{.930}{23.62}$	04, 06
B-524-	$\frac{.295}{7.49}$	$\frac{.211}{5.36}$	$\frac{.927}{23.55}$	04, 06, 08
B-527-	$\frac{.362}{9.19}$	$\frac{.269}{6.83}$	$\frac{1.062}{26.97}$	06, 08, 10

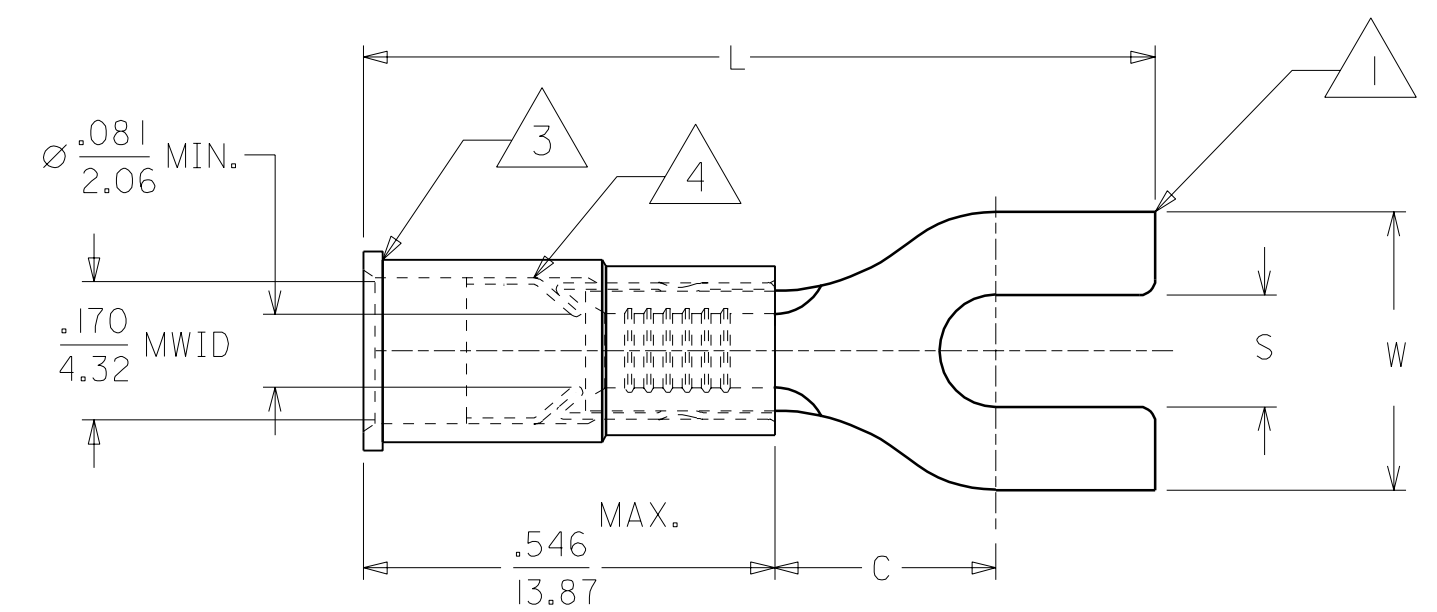
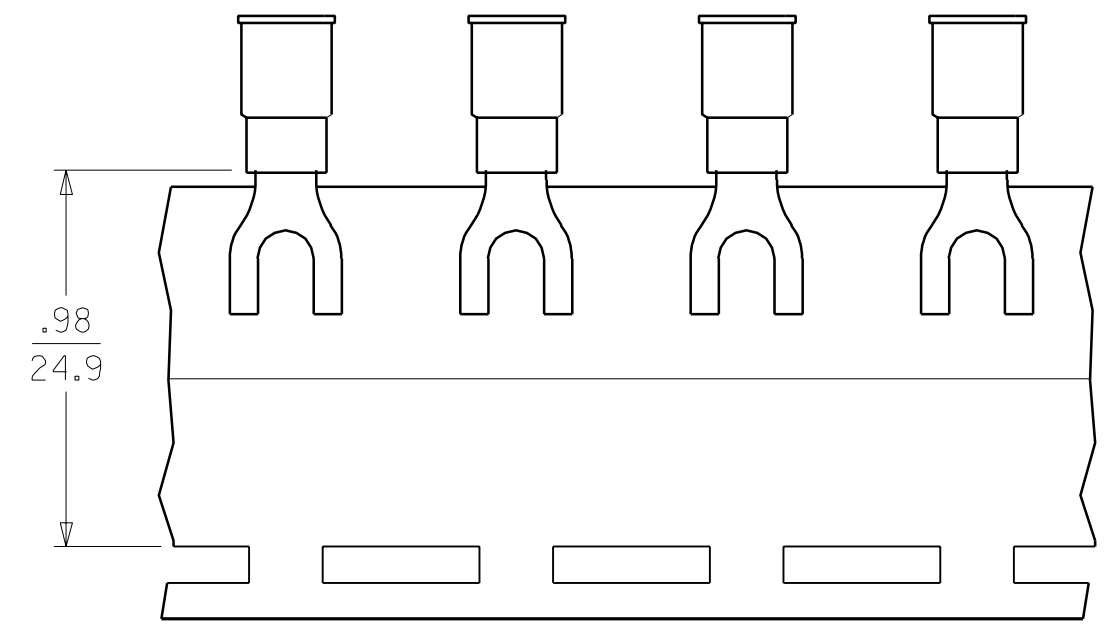
  

DIMENSIONAL TOLERANCES UNLESS OTHERWISE SPECIFIED		REFERENCE	SCALE: NTS	DATE	TITLE:
FRAC.	DEC.	ANG.	DRWN. BY: K.	11-12-84	SPADE TONGUE TERMINAL AVIKRIMP 500-SERIES
$\pm$	$\pm$	$\pm$	CHKD. BY: GZ	12-4-84	
			APPRD. BY:		



DWG. NO. A CUSTOMER DWG

	10	9	8	7	6	5			
	MATERIAL NUMBER	ALTERNATE NUMBER	STUD SIZE	"S" ±.005/(0.13)	"W" ±.010/(0.25)	"C"	"L"	PACKAGING	
F	191960024	B-507-04	4	.119/(3.02)	.245/(6.22)	.209/(5.31)	.930/(23.62)	LOOSE PIECE	
	191960026	B-507-06	6	.146/(3.71)	.245/(6.22)	.209/(5.31)	.930/(23.62)		
	191960030	B-524-04	4	.119/(3.02)	.295/(7.49)	.211/(5.36)	.927/(23.55)		
	191960032	B-524-06	6	.146/(3.71)	.295/(7.49)	.211/(5.36)	.927/(23.55)		
191960034	B-524-08	8	.173/(4.39)	.295/(7.49)	.211/(5.36)	.927/(23.55)			
191960037	B-527-06	6	.146/(3.71)	.362/(9.19)	.269/(6.83)	1.062/(26.97)			
191960039	B-527-08	8	.173/(4.39)	.388/(9.85)	.269/(6.83)	1.062/(26.97)			
191960041	B-527-10	10	.198/(5.03)	.388/(9.85)	.269/(6.83)	1.062/(26.97)			
E	191960025	B-507-04T	4	.119/(3.02)	.245/(6.22)	.209/(5.31)	.930/(23.62)		TAPE MOUNTED
	191960028	B-507-06T	6	.146/(3.71)	.245/(6.22)	.209/(5.31)	.930/(23.62)		
	191960031	B-524-04T	4	.119/(3.02)	.295/(7.49)	.211/(5.36)	.927/(23.55)		
	191960033	B-524-06T	6	.146/(3.71)	.295/(7.49)	.211/(5.36)	.927/(23.55)		
191960036	B-524-08T	8	.173/(4.39)	.295/(7.49)	.211/(5.36)	.927/(23.55)			
191960038	B-527-06T	6	.146/(3.71)	.362/(9.19)	.269/(6.83)	1.062/(26.97)			
191960040	B-527-08T	8	.173/(4.39)	.388/(9.85)	.269/(6.83)	1.062/(26.97)			
D	191960043	B-527-10T	10	.198/(5.03)	.388/(9.85)	.269/(6.83)	1.062/(26.97)		



NOTES:  
 1. MATERIAL: COPPER .031/(.79) THICK.  
 2. PLATING: ELECTRO-TIN.  
 3. INSULATION: MOLDED NYLON (BLUE)  
 4. TIN-PLATED BRASS FUNNEL FERRULE.  
 5. ALL DIMENSIONS IN INCHES/(MM).  
 6. MWID=MAXIMUM WIRE INSULATION DIAMETER.

# CUSTOMER DRAWING

DIMENSIONS SHOWN (METRIC) INCH		REVISE ONLY ON CAD SYSTEM													
UNLESS OTHERWISE SPECIFIED TOLERANCES: ANGULAR ± 1/2°		TITLE													
<table border="1"> <thead> <tr> <th></th> <th>INCH</th> <th>METRIC</th> </tr> </thead> <tbody> <tr> <td>3 PLACE</td> <td>± .005</td> <td>± ---</td> </tr> <tr> <td>2 PLACE</td> <td>± .01</td> <td>± 0.13</td> </tr> <tr> <td>1 PLACE</td> <td>± ---</td> <td>± 0.25</td> </tr> </tbody> </table>			INCH	METRIC	3 PLACE	± .005	± ---	2 PLACE	± .01	± 0.13	1 PLACE	± ---	± 0.25	SPADE TONGUE TERMINAL 16-14 AWG AVIKRIMP, 500-SERIES	
	INCH	METRIC													
3 PLACE	± .005	± ---													
2 PLACE	± .01	± 0.13													
1 PLACE	± ---	± 0.25													
DRAFT WHERE APPLICABLE MUST REMAIN WITHIN DIMENSIONS		mox ETC INC. SHEET NO. DATE PINELLAS PARK, FLA. 33781 U.S.A. 1 OF 1 99/11/12													
DRWG. BY HEB CHK'D. BY RWD APP'D. BY RWD SCALE 4: 1		PART NO. SEE TABLE DRWG. NO. SD-19196-001													
FILE NAME 19196001 DGN THIS DRAWING CONTAINS INFORMATION THAT IS PROPRIETARY TO MOLEX-ETC INC. AND SHOULD NOT BE USED WITHOUT WRITTEN PERMISSION.		DIV. ET SIZE B													

A	VOIDS B-CD-503-02 ETC1999-0055 1999/11/12 HEB
LTR.	REVISIONS