

**MATERIALS AND FINISHES:**

**BODY: BRASS**  
**PLATED: GOLD (10µ-in MIN)**  
**OVER NICKEL (100µ-in MIN)**

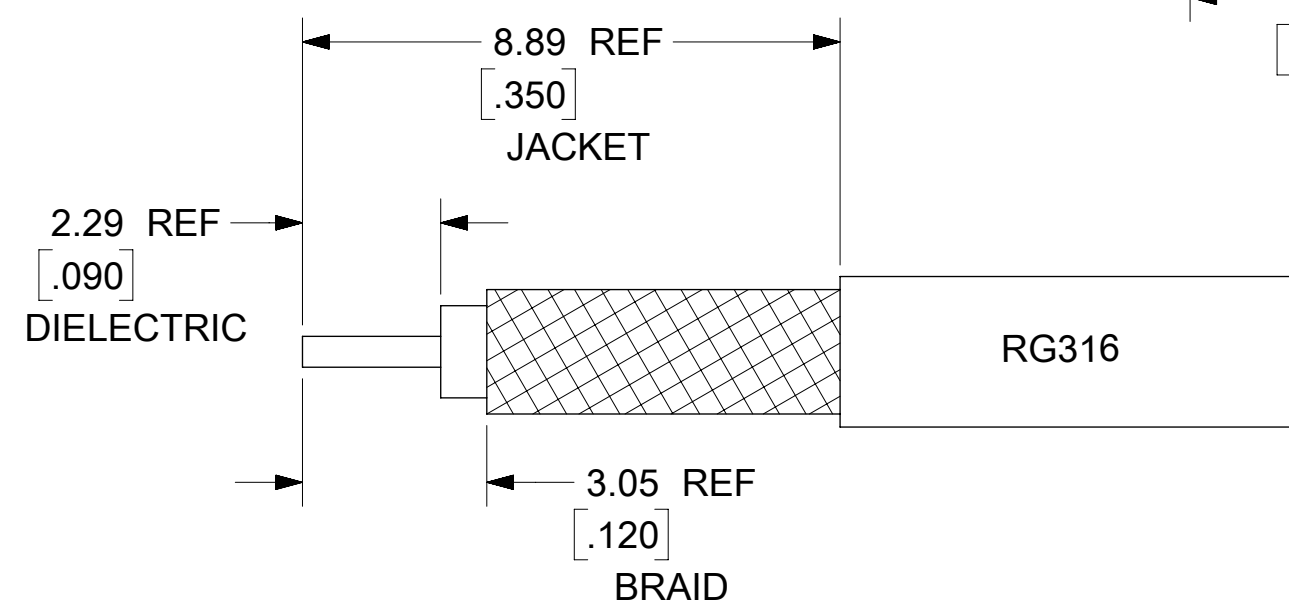
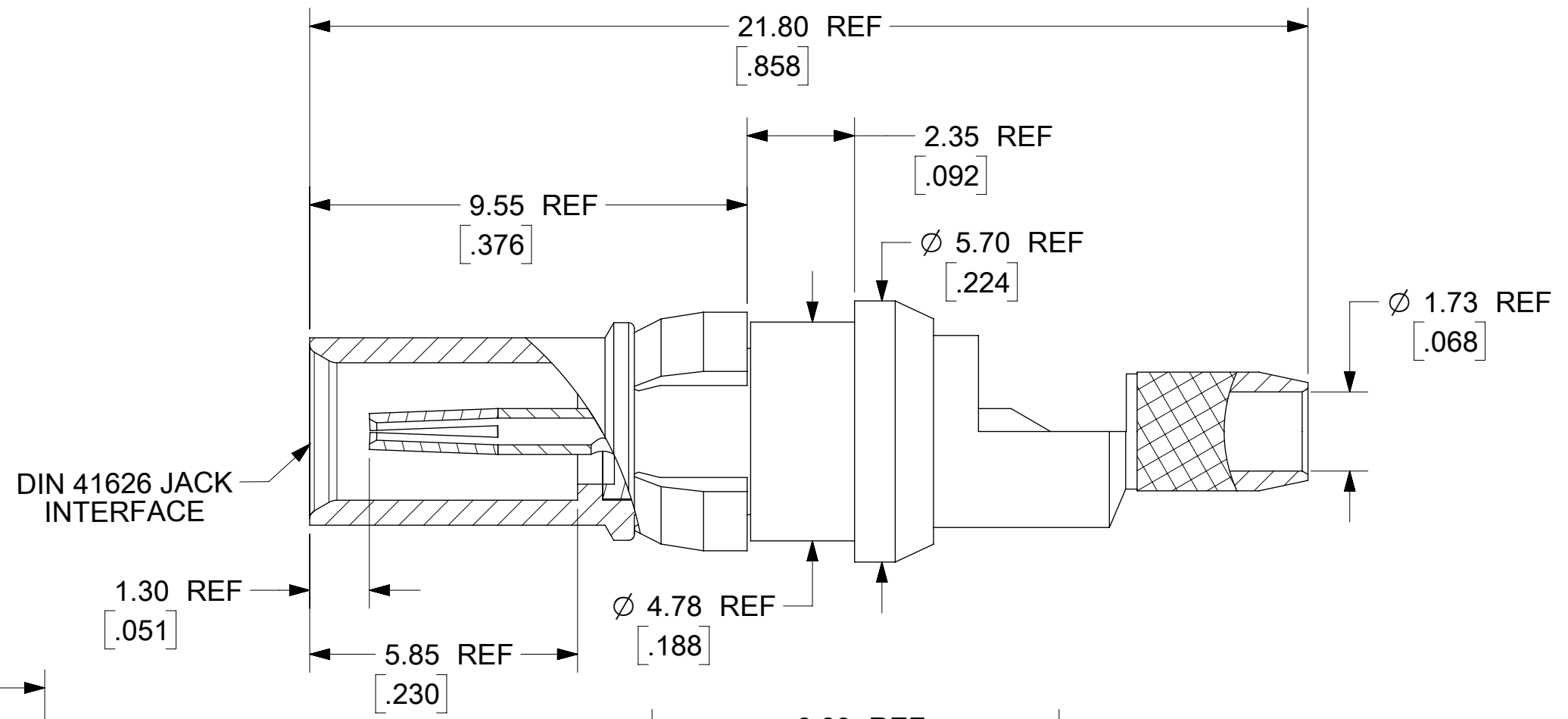
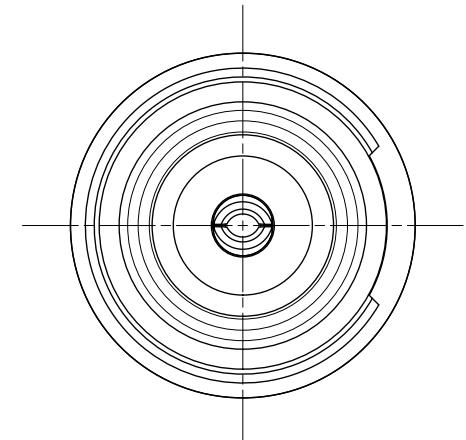
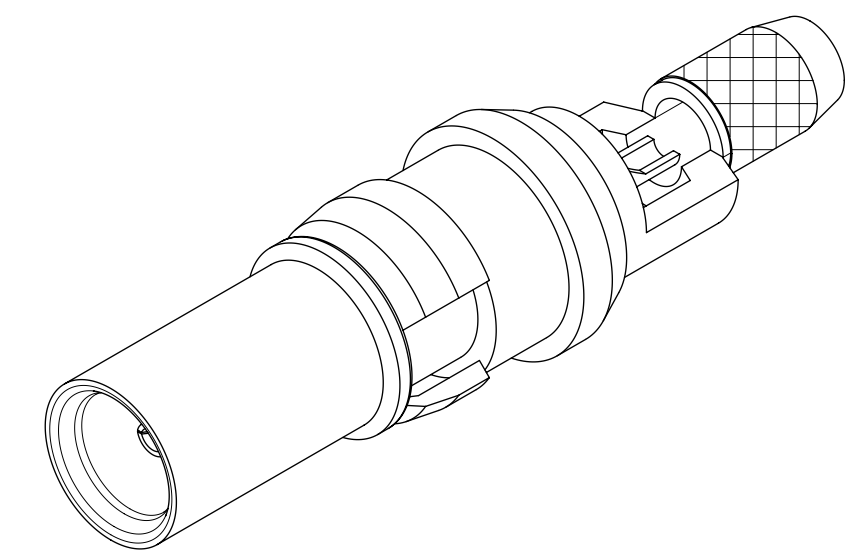
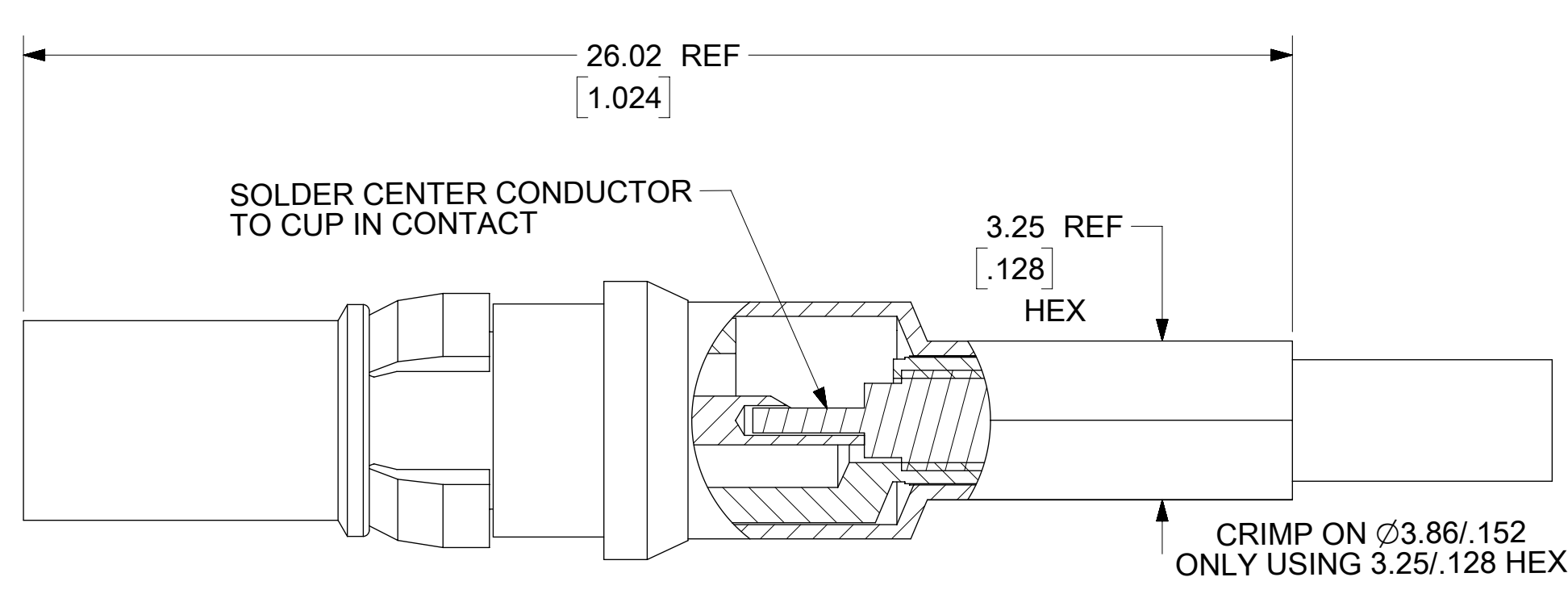
**REAR BODY: BRASS**  
**PLATED: GOLD (5µ-in MIN)**  
**OVER NICKEL (50µ-in MIN)**

**CONTACT: BERYLLIUM COPPER**  
**PLATED: GOLD (10µ-in MIN)**  
**OVER NICKEL (100µ-in MIN)**

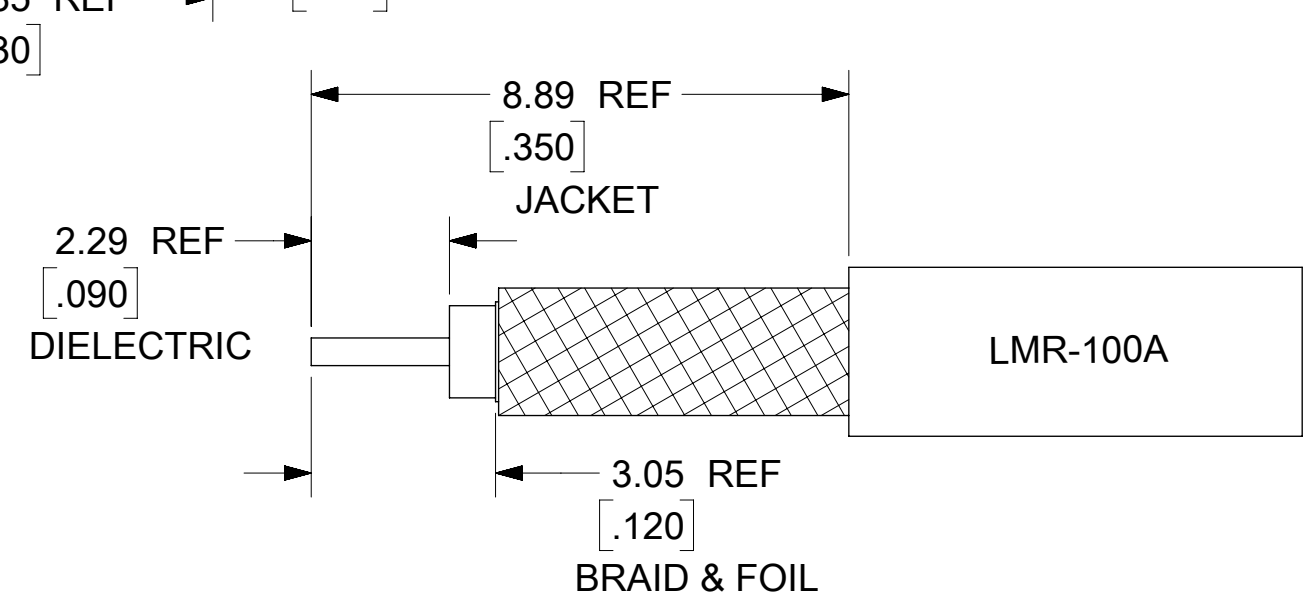
**INSULATOR: PTFE**

**CRIMP TUBE: BRASS**  
**PLATED: GOLD (5µ-in MIN)**  
**OVER NICKEL (50µ-in MIN)**

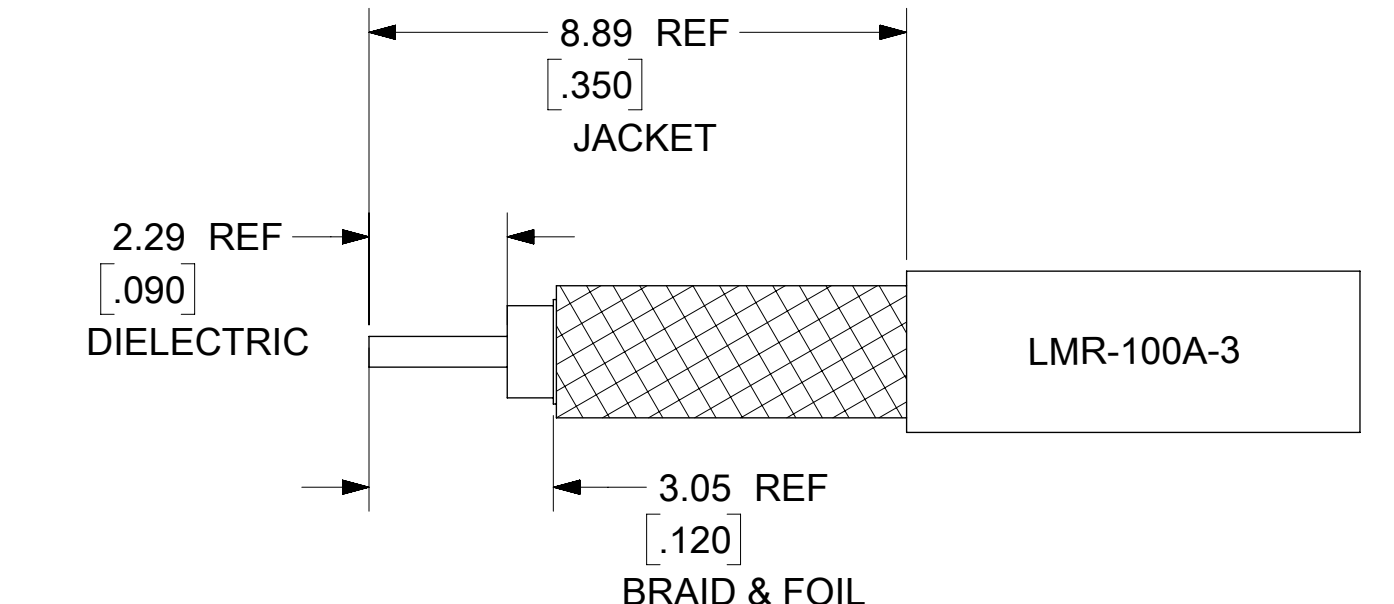
**RETAINING CLIP: BERYLLIUM COPPER**  
**PLATED: NICKEL (100µ-in MIN)**



CABLE STRIP DIMENSIONS



CABLE STRIP DIMENSIONS



CABLE STRIP DIMENSIONS

PART # 73174-0270

PS-89675-3450	ELEC/MECH PERFORMANCE
DIN 41626	INTERFACE SPECIFICATION
SPECIFICATION	DESCRIPTION

THIS DRAWING CONTAINS INFORMATION THAT IS PROPRIETARY TO MOLEX ELECTRONIC TECHNOLOGIES, LLC AND SHOULD NOT BE USED WITHOUT WRITTEN PERMISSION

<b>QUALITY SYMBOLS</b> ▽ = 0 ▽ = 0 ▽ = 0 ▽ = 0 ▽ = 0 ▽ = 0 ▽ = 0 ▽ = 0 ▽ = 0 ▽ = 0 ▽ = 0 ▽ = 0	MIGRATED AND REVISED EC NO: 110852 DRWN: APRAKASHO1 CHKD: APRAKASHO1 REV: APPR: AROBERTSON	GENERAL TOLERANCES (UNLESS SPECIFIED)		DIMENSION UNITS <b>MM</b>		SCALE
		4 PLACES ±     ±	DRWN BY AROBERTSON	DATE 2008/02/11		
		3 PLACES ±     ± 0.01	CHK'D BY SSHAH	DATE 2004/04/02		
		2 PLACES ± 0.25 ±	APPR BY JWIENER	DATE 2008/02/11		
		1 PLACES ±     ±	DRAWING SIZE <b>C</b>	THIRD ANGLE PROJECTION		
		0 PLACES ±     ±	ANGULAR TOL = 2.0			
		DRAFT WHERE APPLICABLE MUST REMAIN WITHIN DIMENSIONS				

DIN 41626 JACK, 50 OHM  
 RG316, LMR100A, LMR100A3, 10/23-JC, EWR-10019

PRODUCT CUSTOMER DRAWING

SERIES	MATERIAL NUMBER	CUSTOMER
73174	731740270	

DOCUMENT NUMBER	DOC TYPE	DOC PART	SHEET NUMBER
SD-73174-027	PSD	000	1 OF 1

RELEASE STATUS	RELEASE DATE
12	11