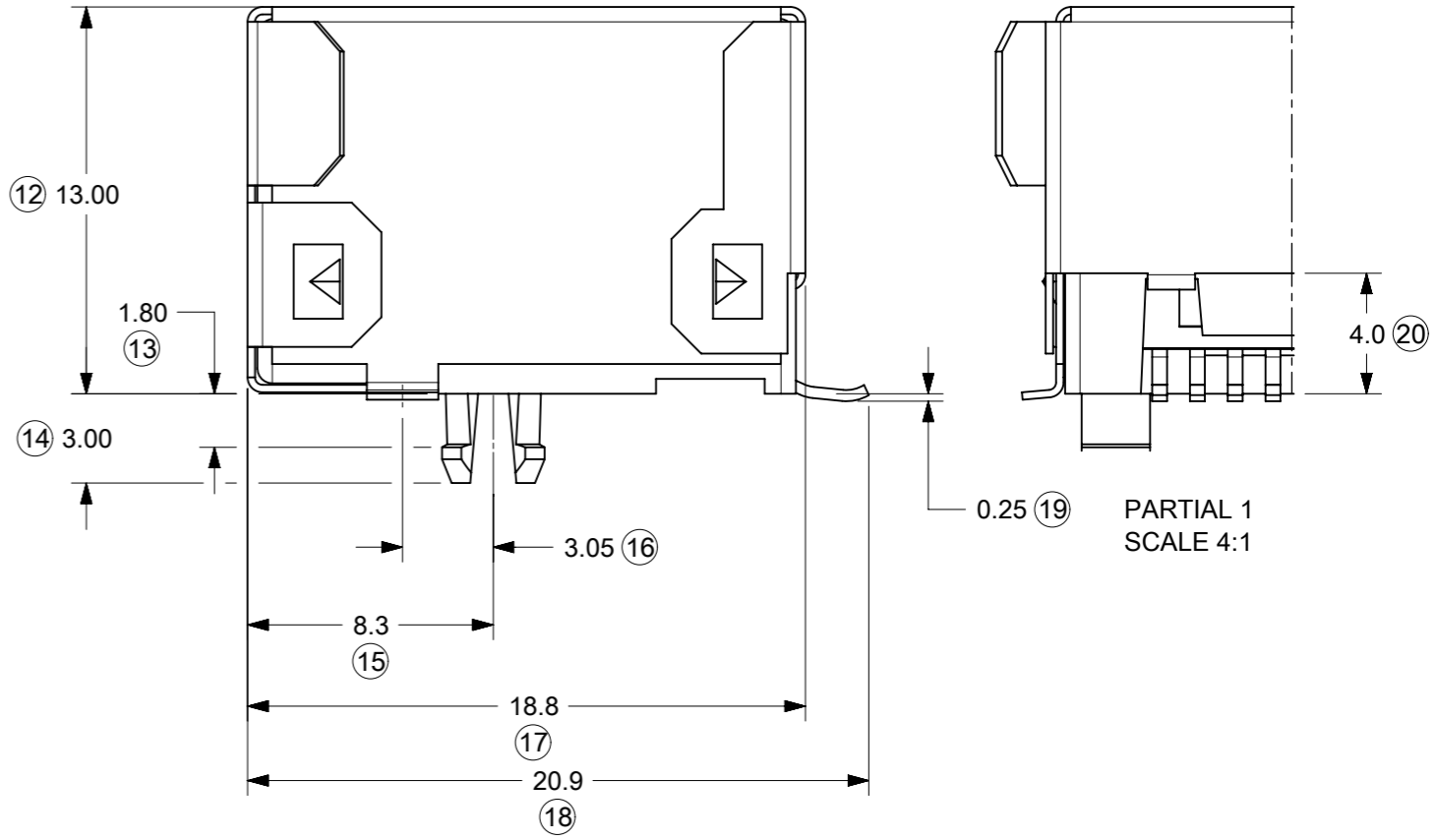
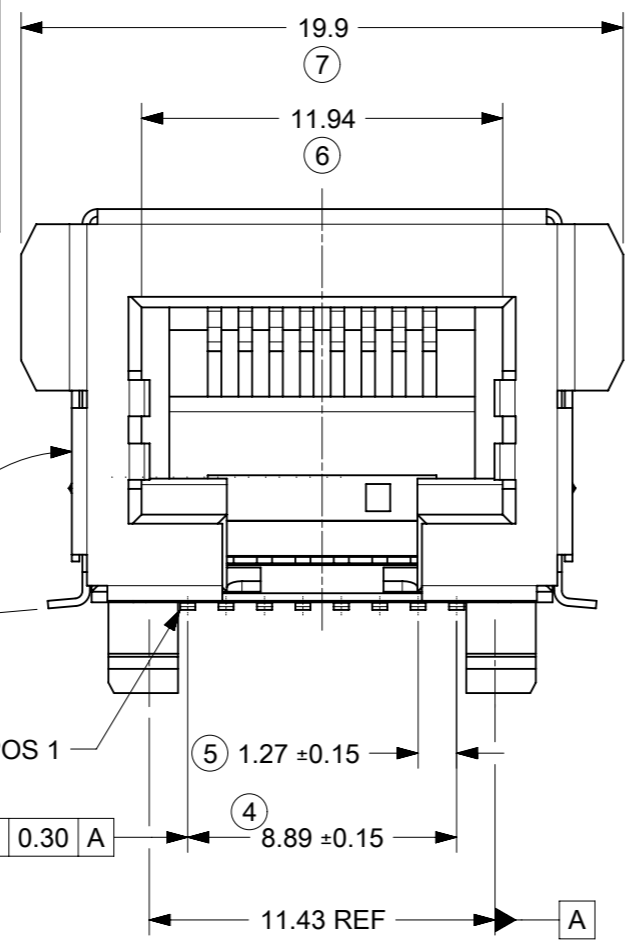
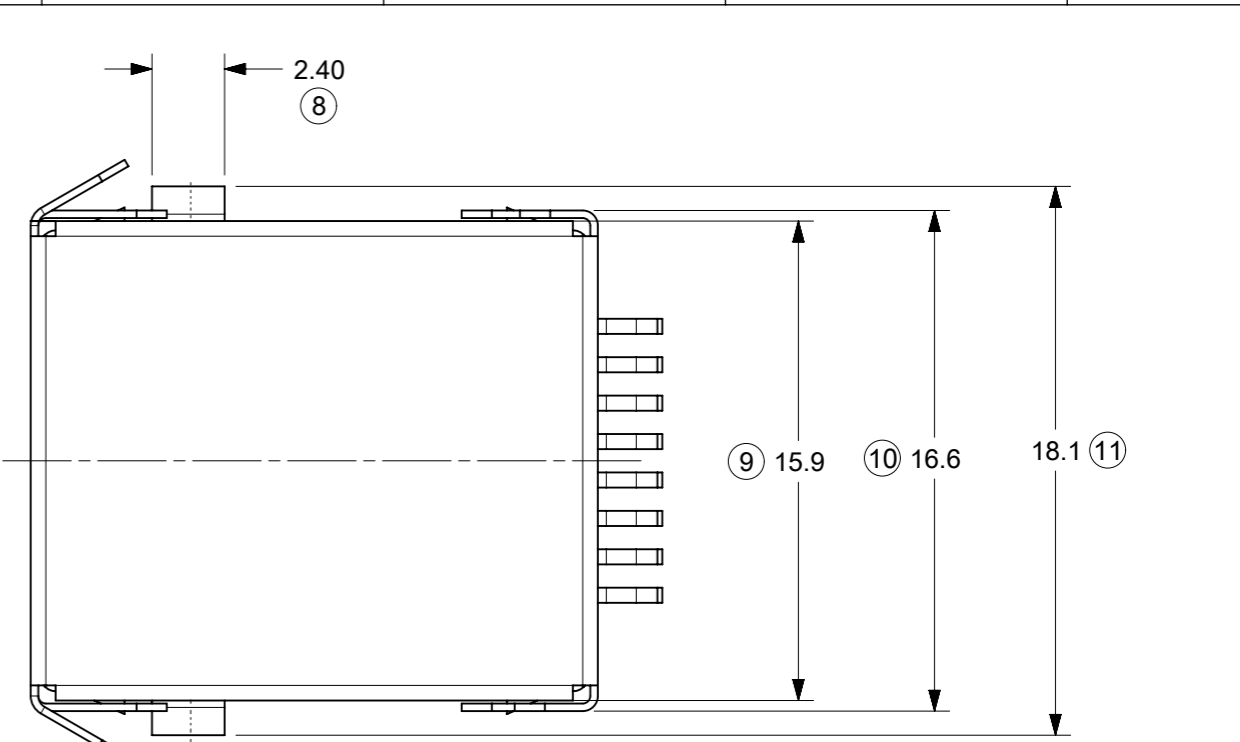
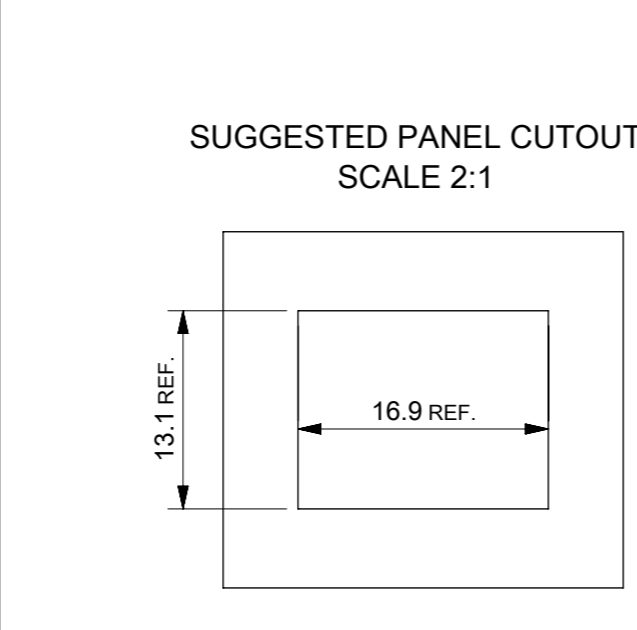


PART NO.	
95622-4882	



- NOTES:**
- JACK FOR MATING WITH SHIELDED PLUG (MOLEX 95043 AND 85568 SERIES)
 - PRODUCT SPECIFICATION: PS-95622-001
 - PACKAGING SPECIFICATION: PK-95122 SHEET 2 (BLISTER ON REEL)
 - P.C.B THICKNESS: 1.57
 - COPLANARITY OF SIGNAL LEADS: 0.10 MAX.

LAST INSPECTION NO.: 21
REMOVED INSPECTION NO: 3

TECHNICAL SPECIFICATIONS:
MATERIAL:
HOUSING: LCP GLASS FILLED UL 94-V0,
COLOUR BLACK.
TERMINAL: COPPER ALLOY PLATED WITH:
BASE FINISH: NICKEL
CONTACT SURFACE FINISH:
GOLD
OR
GOLD FLASH OVER PALLADIUM NICKEL.
EXCEEDS PRODUCT REQUIREMENTS BASED ON
PS-95622-001
SHIELD: COPPER ALLOY PLATED WITH TIN.

THIS DRAWING CONTAINS INFORMATION THAT IS PROPRIETARY TO MOLEX ELECTRONIC TECHNOLOGIES, LLC AND SHOULD NOT BE USED WITHOUT WRITTEN PERMISSION		CURRENT REV DESC: ADDED PANEL CUTOUT		molex	
DIMENSION UNITS	SCALE				
mm	4:1			FULLY SHIELDED SMT R/A MODULAR JACKS 8 CKT	
GENERAL TOLERANCES (UNLESS SPECIFIED)				PRODUCT CUSTOMER DRAWING	
ANGULAR TOL	± 2.0 °			DOCUMENT NUMBER	
4 PLACES	±	EC NO: 735778	2022/12/26	SD-95622-005	
3 PLACES	±	DRWN: ASWINA	2023/01/27	DOC TYPE	DOC PART
2 PLACES	± 0.25	CHK'D: KLANG	2023/01/27	PSD	001
1 PLACE	± 0.35	APPR: KLANG		REVISION	
0 PLACES	±	INITIAL REVISION:	2006/07/27	E2	
DRAFT WHERE APPLICABLE MUST REMAIN WITHIN DIMENSIONS		DRWN: DBYRNES	2006/07/27	SHEET NUMBER	
THIRD ANGLE PROJECTION		APPR: EOMAHONY	2006/07/28	SEE CHART	GENERAL MARKET
DRAWING		SERIES	MATERIAL NUMBER	CUSTOMER	
A3-SIZE		95622	SEE CHART	GENERAL MARKET	

DOCUMENT STATUS	P1	RELEASE DATE	2023/01/27	00:26:06
-----------------	----	--------------	------------	----------