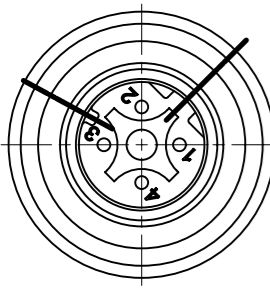


M12 4 POLE MALE



VIEW FROM THE FRONT SIDE

Pin	Wire color
1	WH/OG
2	WH/GN
3	OG
4	GN

PART No. MATRIX

E W W A 0 6 2 1 5 M X X X

E=ETHERNET

HEADS:
W=M12 4-Pole Ultra Lock D-Coding
W=M12 4-Pole Ultra Lock D-Coding

HEADS STYLE:
062=MALE STR / MALE RA

UNITS:
M=METER
T=10x METER

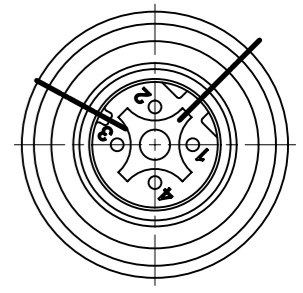
WIRING TYPE:
A=4 Pole (STRAIGHT WIRED)

CABLE TYPE

LENGTH EXAMPLES:
005=0.5m
010=1m
150=15m

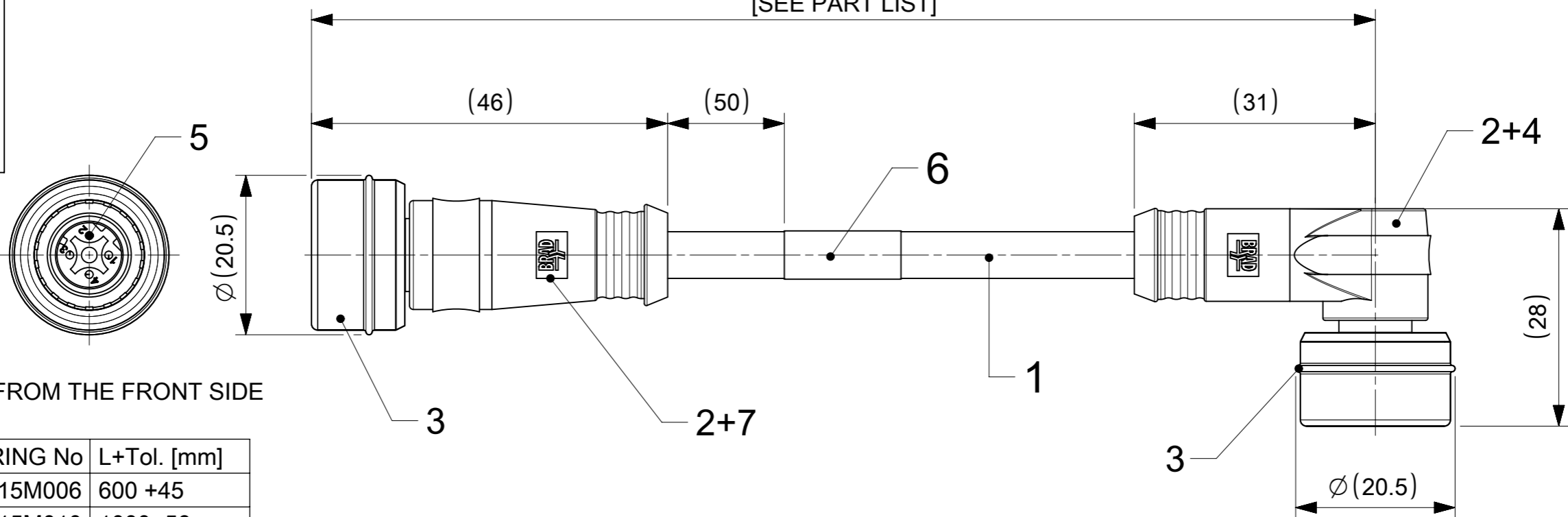
L+Tol.
[SEE PART LIST]

M12 4 POLE MALE

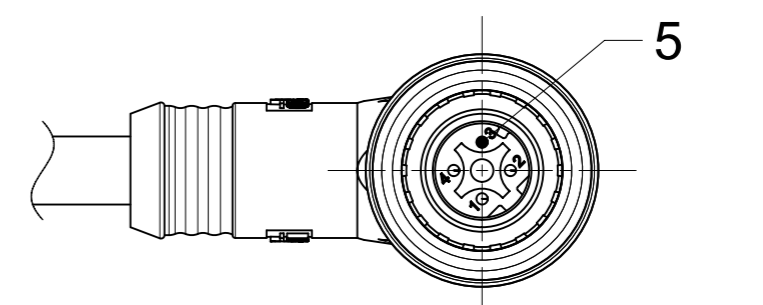


VIEW FROM THE FRONT SIDE

Pin	Wire color
1	WH/OG
2	WH/GN
3	OG
4	GN



VIEW FROM THE FRONT SIDE



VIEW FROM THE FRONT SIDE

PART LIST

MOLEX PN	ENGINEERING No	L+Tol. [mm]
1201080049	EWWA06215M006	600 +45
1201080050	EWWA06215M010	1000+56
1201080051	EWWA06215M020	2000 +89
1201080052	EWWA06215M050	5000+165
1201080053	EWWA06215M100	10000+317
1201080054	EWWA06215M150	15000+622
1201080055	EWWA06215M300	30000+622
1201088209	EWWA06215M200	20000+622
1201088210	EWWA06215M400	40000+800
1201088211	EWWA06215M600	60000+1200
1201088212	EWWA06215M800	80000+1600
1201088213	EWWA06215T100	100000+2000

BOM

ITEM	QTY.	DESCRIPTION	MATERIAL	FINISH / COLOR
7	1	M12S-SLEEVE STRAIGHT	BRASS	Ni-PLATED
6	1	WRAP LABEL	VINYL	YELLOW
5	8	CONTACT MALE	BRASS	GOLD OVER Ni-PLATED
4	1	SHIELD CLOSURE CAP 90	BRASS	Ni-PLATED
3	2	ULTRALOCK ASSEMBLY MALE	-	-
2	-	MOULDING MATERIAL	TPU	BLACK
1	-	CABLE SHIELDED PVC CAT5E	PVC	TEAL

DOCUMENT STATUS	P1	RELEASE DATE	2022/04/22	06:35:56
-----------------	----	--------------	------------	----------

NOTES :

ACC. TO CAT5e ETHERNET STD.
MAX. VOLTAGE : 30V
MAX. CURRENT : 1.5A
IP RATING : IP67
TEMPERATURE RANGE : -20°C TO +75°C

FUNCTIONAL SYMBOLS	THIS DRAWING CONTAINS INFORMATION THAT IS PROPRIETARY TO MOLEX ELECTRONIC TECHNOLOGIES, LLC AND SHOULD NOT BE USED WITHOUT WRITTEN PERMISSION	CURRENT REV DESC:																																							
	<table border="1"> <tr><td>FUNCTIONAL SYMBOLS</td><td>THIS DRAWING CONTAINS INFORMATION THAT IS PROPRIETARY TO MOLEX ELECTRONIC TECHNOLOGIES, LLC AND SHOULD NOT BE USED WITHOUT WRITTEN PERMISSION</td></tr> <tr><td>mm</td><td>3:2</td></tr> <tr><td>GENERAL TOLERANCES (UNLESS SPECIFIED)</td><td></td></tr> <tr><td>ANGULAR TOL</td><td>± 1.0°</td></tr> <tr><td>4 PLACES</td><td>±</td></tr> <tr><td>3 PLACES</td><td>±</td></tr> <tr><td>2 PLACES</td><td>± 0.05</td></tr> <tr><td>1 PLACE</td><td>± 0.3</td></tr> <tr><td>0 PLACES</td><td>± 0.5</td></tr> </table>	FUNCTIONAL SYMBOLS	THIS DRAWING CONTAINS INFORMATION THAT IS PROPRIETARY TO MOLEX ELECTRONIC TECHNOLOGIES, LLC AND SHOULD NOT BE USED WITHOUT WRITTEN PERMISSION		mm	3:2	GENERAL TOLERANCES (UNLESS SPECIFIED)		ANGULAR TOL	± 1.0°	4 PLACES	±	3 PLACES	±	2 PLACES	± 0.05	1 PLACE	± 0.3	0 PLACES	± 0.5	<table border="1"> <tr><td>EC NO:</td><td>703538</td></tr> <tr><td>DRWN:</td><td>SSM</td><td>2022/03/29</td></tr> <tr><td>CHK'D:</td><td>RSILLER</td><td>2022/04/22</td></tr> <tr><td>APPR:</td><td>RSILLER</td><td>2022/04/22</td></tr> </table>		EC NO:	703538	DRWN:	SSM	2022/03/29	CHK'D:	RSILLER	2022/04/22	APPR:	RSILLER	2022/04/22	<table border="1"> <tr><td>PRODUCT CUSTOMER DRAWING</td></tr> <tr><td>DOCUMENT NUMBER</td><td>1201080049</td><td>DOC TYPE</td><td>PSD</td><td>DOC PART</td><td>000</td><td>REVISION</td><td>A</td></tr> </table>	PRODUCT CUSTOMER DRAWING	DOCUMENT NUMBER	1201080049	DOC TYPE	PSD	DOC PART	000
FUNCTIONAL SYMBOLS	THIS DRAWING CONTAINS INFORMATION THAT IS PROPRIETARY TO MOLEX ELECTRONIC TECHNOLOGIES, LLC AND SHOULD NOT BE USED WITHOUT WRITTEN PERMISSION																																								
mm	3:2																																								
GENERAL TOLERANCES (UNLESS SPECIFIED)																																									
ANGULAR TOL	± 1.0°																																								
4 PLACES	±																																								
3 PLACES	±																																								
2 PLACES	± 0.05																																								
1 PLACE	± 0.3																																								
0 PLACES	± 0.5																																								
EC NO:	703538																																								
DRWN:	SSM	2022/03/29																																							
CHK'D:	RSILLER	2022/04/22																																							
APPR:	RSILLER	2022/04/22																																							
PRODUCT CUSTOMER DRAWING																																									
DOCUMENT NUMBER	1201080049	DOC TYPE	PSD	DOC PART	000	REVISION	A																																		
DIVISIONAL SYMBOLS	<table border="1"> <tr><td>DRAFT WHERE APPLICABLE MUST REMAIN WITHIN DIMENSIONS</td></tr> <tr><td>THIRD ANGLE PROJECTION</td></tr> <tr><td>DRAWING</td><td>A3-SIZE</td></tr> <tr><td>SERIES</td><td>120108</td></tr> <tr><td>MATERIAL NUMBER</td><td>SEE PART LIST</td></tr> <tr><td>CUSTOMER</td><td>GENERAK MARKET</td></tr> <tr><td>SHEET NUMBER</td><td>1 OF 1</td></tr> </table>	DRAFT WHERE APPLICABLE MUST REMAIN WITHIN DIMENSIONS	THIRD ANGLE PROJECTION	DRAWING	A3-SIZE	SERIES	120108	MATERIAL NUMBER	SEE PART LIST	CUSTOMER	GENERAK MARKET	SHEET NUMBER	1 OF 1																												
DRAFT WHERE APPLICABLE MUST REMAIN WITHIN DIMENSIONS																																									
THIRD ANGLE PROJECTION																																									
DRAWING	A3-SIZE																																								
SERIES	120108																																								
MATERIAL NUMBER	SEE PART LIST																																								
CUSTOMER	GENERAK MARKET																																								
SHEET NUMBER	1 OF 1																																								

6

5

4

3

2

1

PART NUMBER	ENGINEERING NO.	LENGTH ± TOLERANCE
1201080050	EWWA06215M010	3' 3" +2.19"/-0" [1M +55.6/-0 mm]
1201080052	EWWA06215M050	16' 4" +6.5"/-0" [5M +165.0/-0 mm]

AUX VIEW
SCALE 1:4

FINISHED LENGTH
(SEE CHART)

4.00 REF.
101.6 REF.

1.16 REF.
29.45 REF.

1.84 REF.
46.8 REF.

1.08 REF.
27.4 REF.

Ø 0.78 REF.
19.9 REF.

Ø 0.78 REF.
19.9 REF.

P1

P2

1 2 3 4 5 6

1 2 3 4

MALE- FACE VIEW

MALE- FACE VIEW

P1		P2	
1	WHITE/DRG	1	
2	WHITE/GRN	2	
3	ORANGE	3	
4	GREEN	4	

WIRING DIAGRAM

NOTES:

- MATERIAL: SEE TABLE
- FINISHES: SEE TABLE
- CABLE: #26/4 SHIELDED PVC
- ELECTRICAL DATA:
ACCORDING TO CAT5e ETHERNET STANDARD
MAX. VOLTAGE: 30V
MAX. CURRENT 1.5A
- ENVIRONMENTAL:
PROTECTION IP67
TEMPERATURE RANGE: -20°C TO 75°C
- WRAP LABEL IS MARKED WITH P/N, DATE CODE,
VOLTAGE & AMPERAGE.
- ASSEMBLY IS RoHS COMPLIANT.

ITEM	QTY.	DESCRIPTION	MATERIAL	FINISH
6	1	LABEL	PLASTIC FILM	BLACK/YELLOW
5	2	INSERT	PUR	BLACK
4	8	PIN CONTACT	COPPER ALLOY	GOLD PLATED
3	2	M12 ULTRA-LOCK HEAD ASSY	BRASS	NICKEL
2	2	OVERMOLD	PUR	BLACK
1	1	ETHERNET CABLE-CAT5E	PVC JACKET	TEAL

REV	DESCRIPTION	QUALITY SYMBOLS	GENERAL TOLERANCES (UNLESS SPECIFIED)		DIMENSION STYLE	SCALE	DESIGN UNITS	THIRD ANGLE PROJECTION	
			mm	INCH	IN/MM	3:4	INCH		
1	SD RELEASE EC NO: MEL2010-0005 7/7/09 DRWN: VOU CHKD: BWOODMAN APPR: JFMURPHY 2009/07/20	▽=0 ▽C=0	4 PLACES	±----	±----	DRAWN BY VOU	DATE 2009/07/07	TITLE M12 ULTRA-LOCK CABLE ASSY 4P M/MP ST/90 D-CODE #26/4 SHIELDED PVC	
			3 PLACES	±----	±0.05	CHECKED BY BWOODMAN	DATE 2009/07/31	MOLEX INCORPORATED	
			2 PLACES	±----	±0.10	APPROVED BY	DATE	DOCUMENT NO. SD-120108-005	
			1 PLACE	±----	±0.20	MATERIAL NO.	DATE	SHEET NO. 1 OF 1	
			ANGULAR ± 1/2°		SEE CHART		THIS DRAWING CONTAINS INFORMATION THAT IS PROPRIETARY TO MOLEX INCORPORATED AND SHOULD NOT BE USED WITHOUT WRITTEN PERMISSION		
			DRAFT WHERE APPLICABLE MUST REMAIN WITHIN DIMENSIONS						

6

5

4

3

2

1