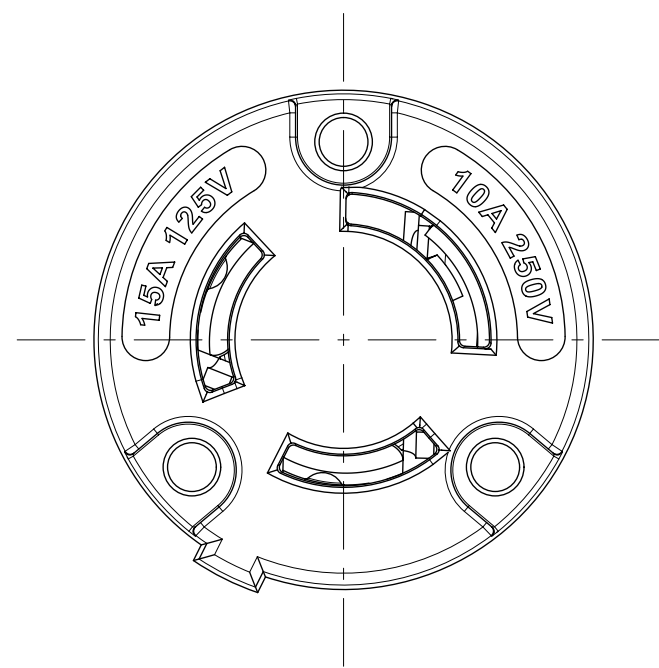
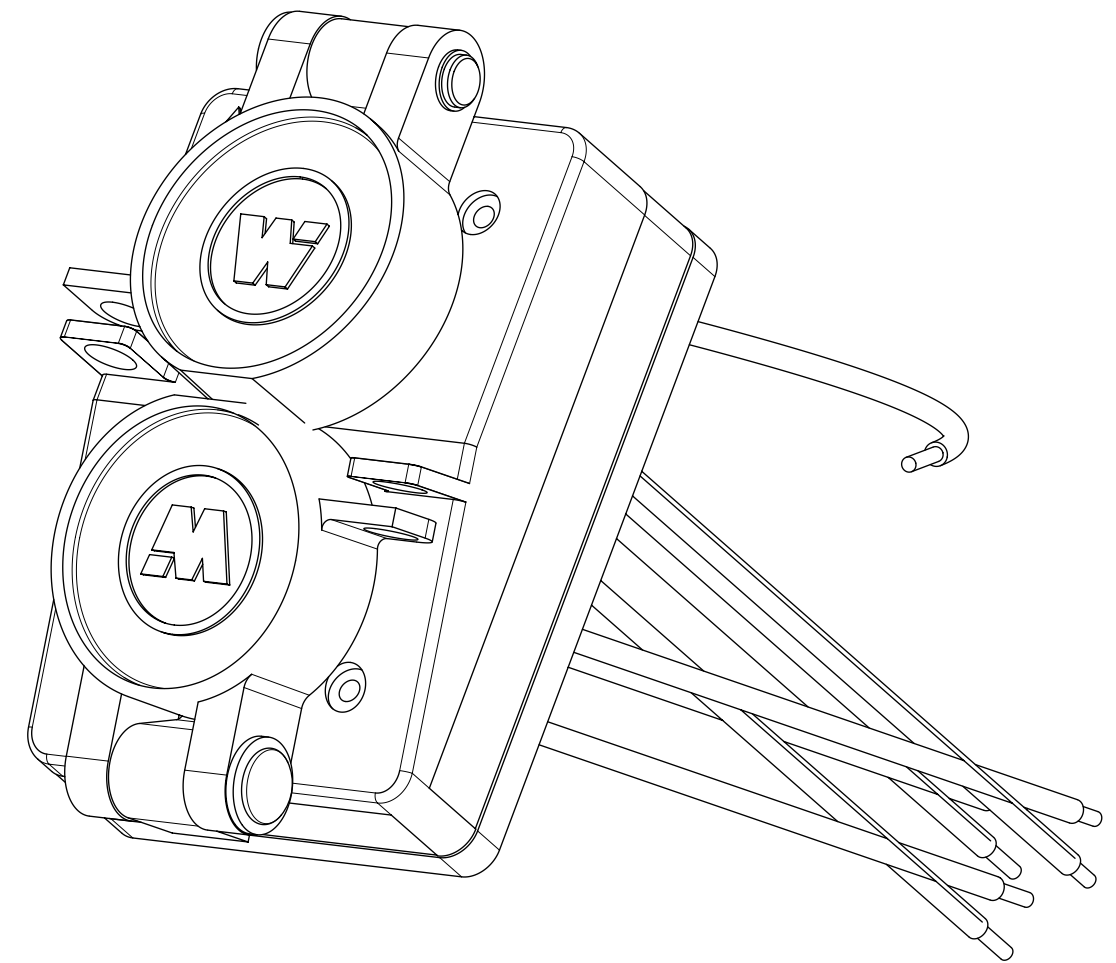
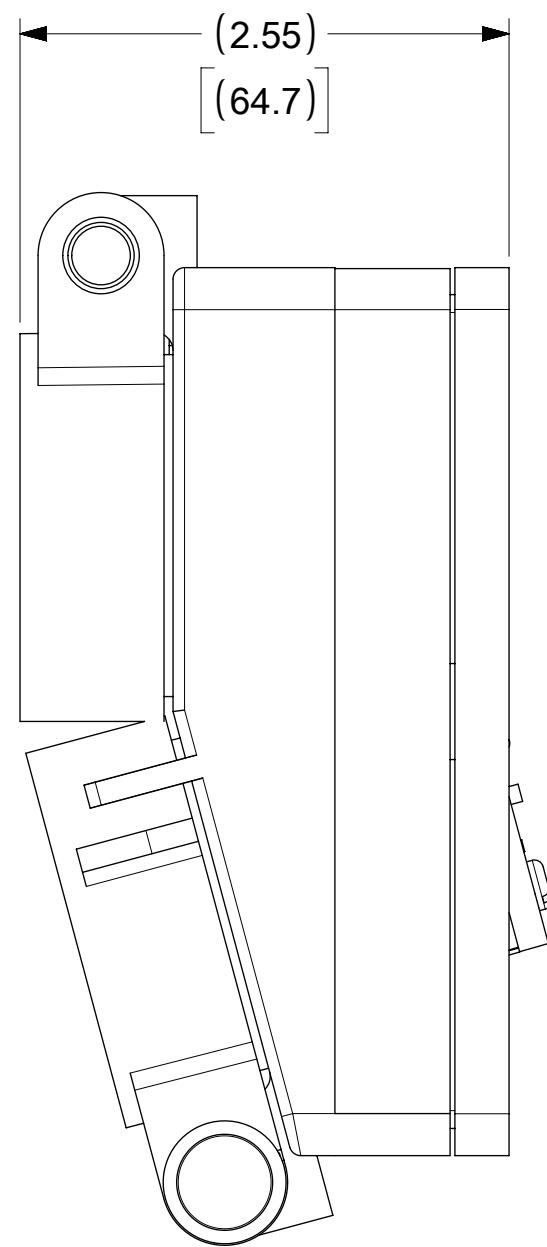
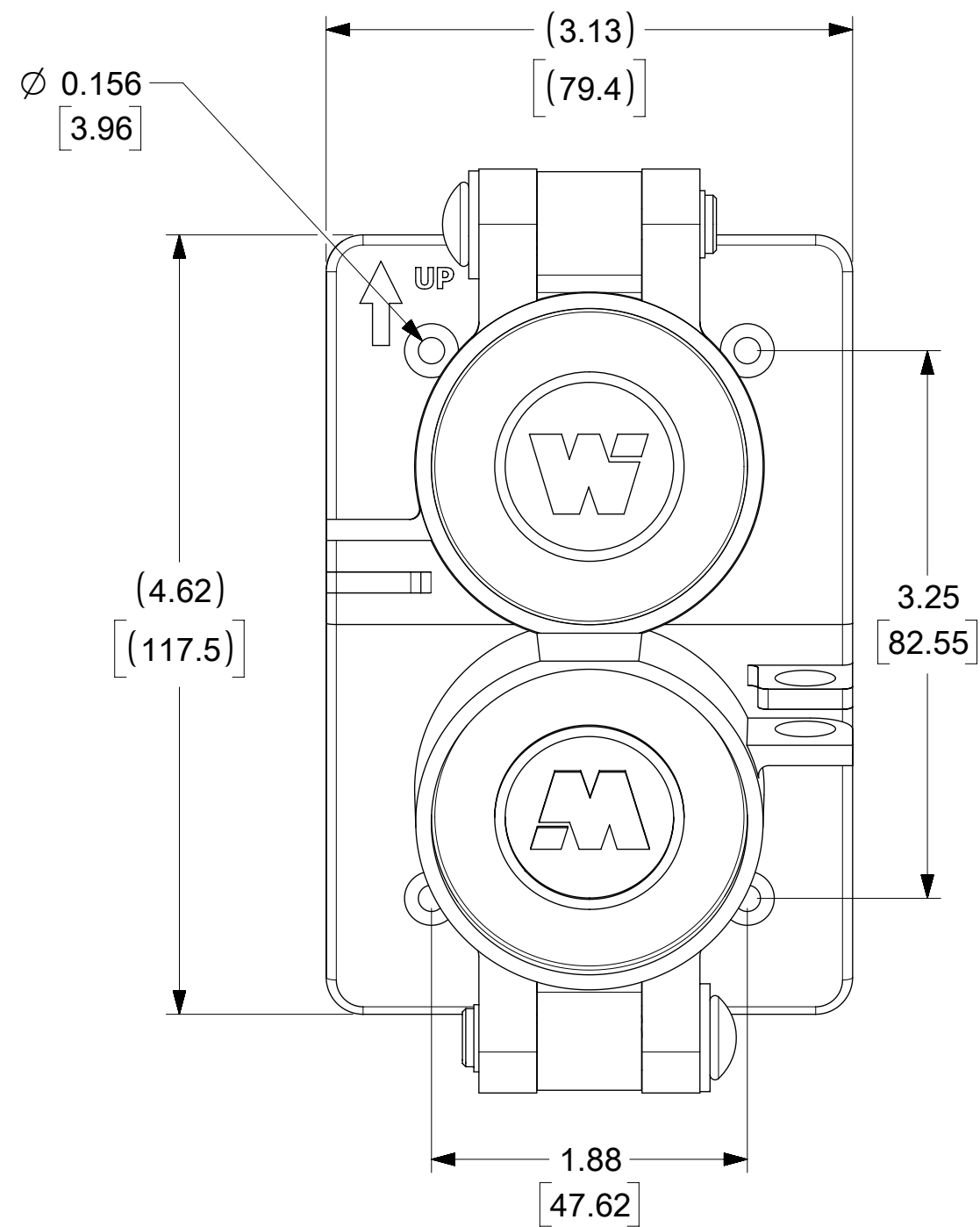
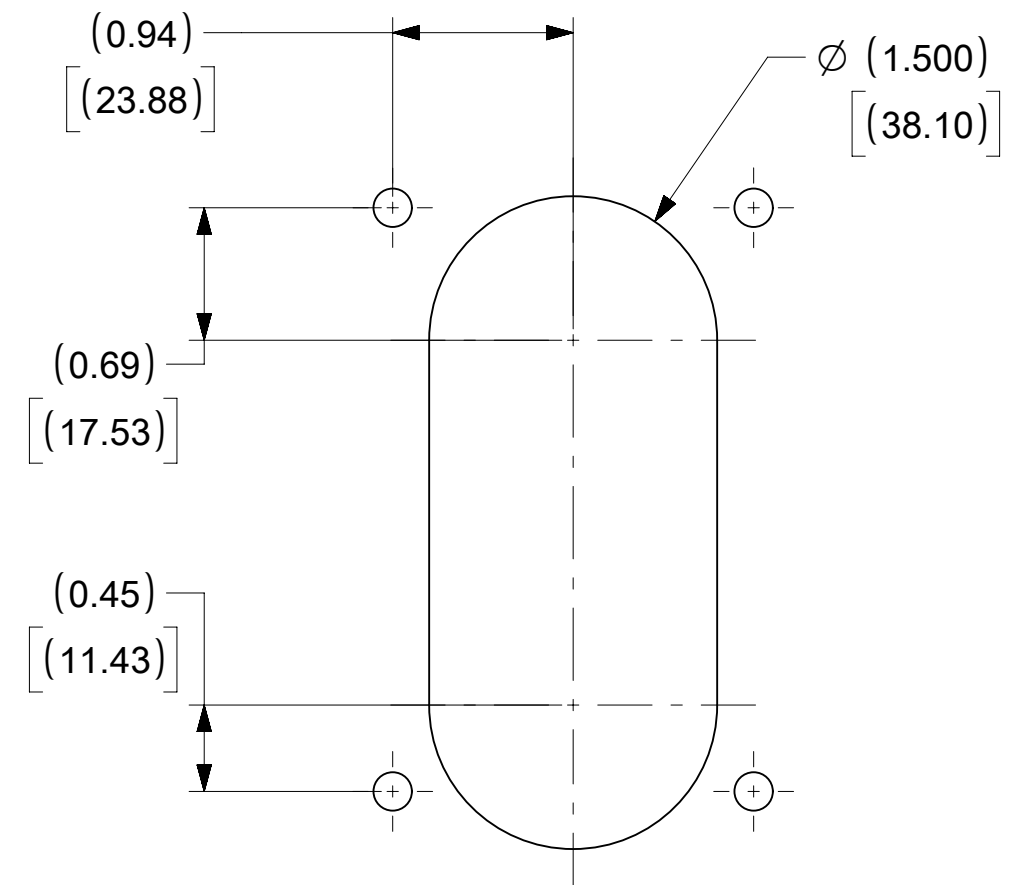


ORDER NO.	WOODHEAD NO.	COLOR
130146-0146	65W07DPLX	YELLOW



FACE VIEW



CLEARANCE HOLE
(FOR PANEL MOUNT)

DESCRIPTION	MATERIAL	QTY.
RETAINING SCREWS	STAINLESS STEEL	6
INSERT ASSY	NYLON, BRASS, NICKEL & ZINC PLATED	2
GASKET	NEOPRENE	1
BASE PLATE	POLYCARBONATE	1
COVER FLIP LID	POLYCARBONATE	2
COVER PLATE	STAINLESS STEEL	1
SCREW (GROUND WIRE)	STAINLESS STEEL	1
FLAT WASHER	STAINLESS STEEL	2
RIVET	ALUMINUM	2
TORSION SPRING	STAINLESS STEEL WIRE	2
WASHER	STAINLESS STEEL	2
DOME PUSH CAP	STAINLESS STEEL	2
JUMPER WIRE ASSY	COPPER, BRASS (TINNED FINISH)	1
#12-1 BLACK WIRE	COPPER WIRE	2
#12-1 WHITE WIRE	COPPER WIRE	2
#12-1 GREEN WIRE	COPPER WIRE	2

THIS DRAWING CONTAINS INFORMATION THAT IS PROPRIETARY TO MOLEX ELECTRONIC TECHNOLOGIES, LLC AND SHOULD NOT BE USED WITHOUT WRITTEN PERMISSION									
SYMBOLS		DIMENSION UNITS		SCALE		CURRENT REV DESC: MIGRATE TO NX/ECTR			
▽ = 0	INCH	MM	NTS						
▽ = 0	GENERAL TOLERANCES (UNLESS SPECIFIED)								
▽ = 0		MM	INCH						
▽ = 0	4 PLACES	±	±			EC NO: 613663			
▽ = 0	3 PLACES	±	±			DRWN: SRPATIL 2019/01/10			
▽ = 0	2 PLACES	±	±			CHK'D: DNGUYEN62 2019/03/18			
▽ = 0	1 PLACE	±	±			APPR: HKNEELAND 2019/03/30			
▽ = 0	0 PLACES	±	±			INITIAL REVISION:			
▽ = 0	ANGULAR TOL	±	°			DRWN: SRPATIL 2019/01/10			
▽ = 0	DRAFT WHERE APPLICABLE MUST REMAIN WITHIN DIMENSIONS			THIRD ANGLE PROJECTION		DRAWING		SERIES	
▽ = 0				C-SIZE		130146			
DOCUMENT NUMBER		DOC TYPE		DOC PART		REVISION			
1301460146		PSD		000		A			
MATERIAL NUMBER		CUSTOMER		SHEET NUMBER					
SEE TABLE		GENERAL MARKET		1 OF 1					