

## Cable gland - G-INS-M25-M68N-PNES-GY - 1411126

Please be informed that the data shown in this PDF Document is generated from our Online Catalog. Please find the complete data in the user's documentation. Our General Terms of Use for Downloads are valid (<http://phoenixcontact.com/download>)




Cable gland, cable gland material: PA, external cable diameter 11 mm ... 17 mm, shielding: no, connecting thread: M25 x 1.5, color: silver-gray RAL 7001

### Your advantages

- ✔ Plastic material conforms to UL 746C f1

### Key Commercial Data

Packing unit	5 pc
Minimum order quantity	5 pc
GTIN	 4 046356 922579
GTIN	4046356922579

### Technical data

#### Dimensions

Length	42 mm
Wrench size, union nut	29 mm
Wrench size, support	29 mm
Hexagon angular dimension	33.5 mm
Length of the connecting thread	8 mm
Feed-through hole diameter	25.1 mm ... 25.2 mm
External cable diameter	11 mm ... 17 mm
	13 mm ... 17 mm (for UL 514 B)

#### Ambient conditions

Degree of protection (IP)	IP68 (5 bar / 0.5 h)
	IP66
Ambient temperature (operation)	-40 °C ... 100 °C (static)

#### General

# Cable gland - G-INS-M25-M68N-PNES-GY - 1411126

## Technical data

### General

No. of conductors	1
Cable gland material	PA
Cable seal material	CR
Flammability rating according to UL 94	V2
	V2 (Housing)
Shielded	no
Thread type connection side	M25 x 1.5
Thread type on connection side	M25
Torque	3.5 Nm (Union nut: EN 62444)
	3.5 Nm (Support: EN 62444)
	6 Nm (for UL514 B: union nut)
Color	silver-gray RAL 7001
Impact category	4
Execution of the strain relief	A
Assembly instructions	1) Mount screw connection support in the housing using the correct torque 2) Insert cable 3) Tighten union nut using the correct torque
Manufacturer	BIMED
Manufacturer Designation	BM-EN-03

### Standards and Regulations

Halogen-free	no
Connection in acc. with standard	CSA
Flammability rating according to UL 94	V2

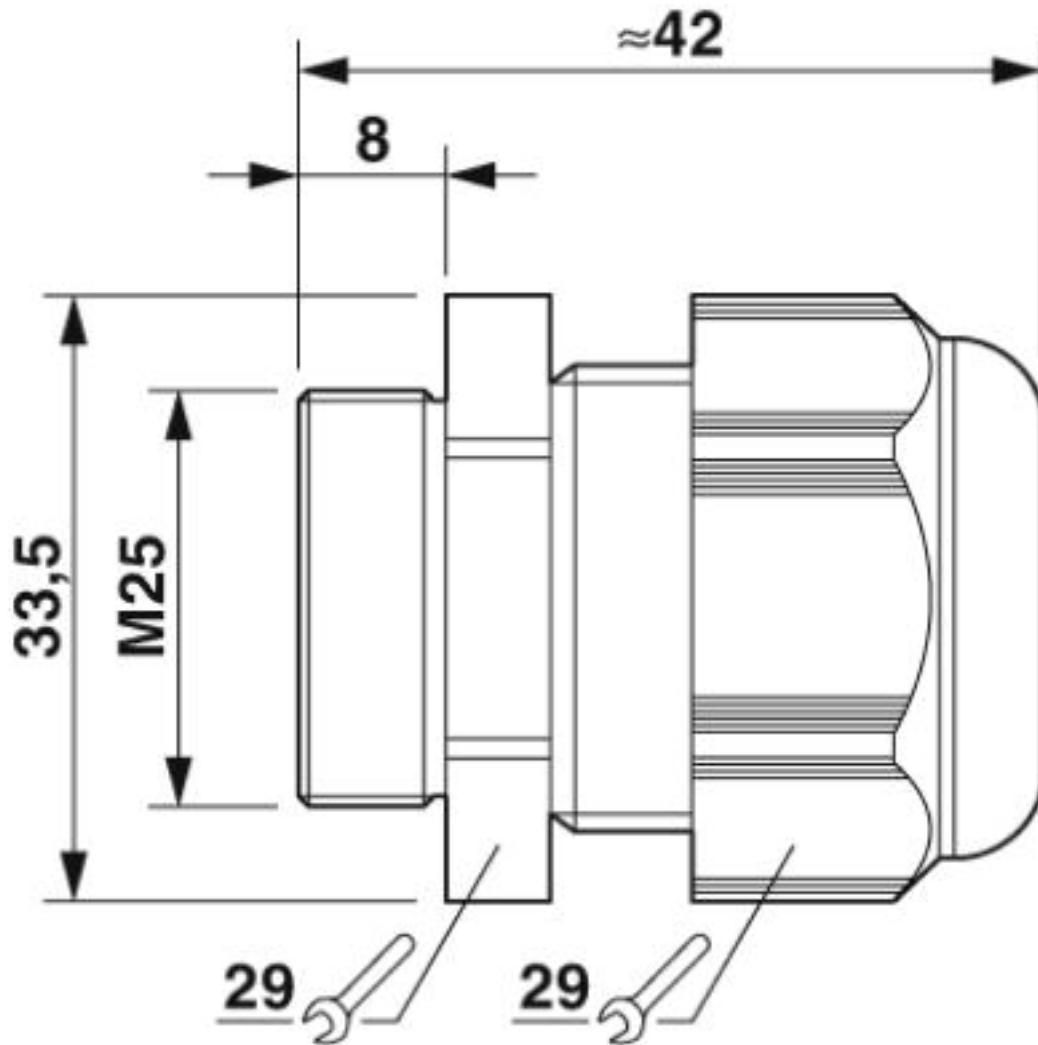
### Environmental Product Compliance

China RoHS	Environmentally friendly use period: unlimited = EFUP-e
	No hazardous substances above threshold values

## Drawings

# Cable gland - G-INS-M25-M68N-PNES-GY - 1411126

Dimensional drawing



Approvals

Approvals

---

Approvals

CSA / UL Listed / VDE Zeichengenehmigung

---




Ex Approvals

---

Approval details

## Cable gland - G-INS-M25-M68N-PNES-GY - 1411126

### Approvals

CSA		<a href="http://www.csagroup.org/services-industries/product-listing/">http://www.csagroup.org/services-industries/product-listing/</a>	115116
UL Listed		<a href="http://database.ul.com/cgi-bin/XYV/template/LISEXT/1FRAME/index.htm">http://database.ul.com/cgi-bin/XYV/template/LISEXT/1FRAME/index.htm</a>	E199260
VDE Zeichengenehmigung		<a href="http://www2.vde.com/de/Institut/Online-Service/VDE-gepruefteProdukte/Seiten/Online-Suche.aspx">http://www2.vde.com/de/Institut/Online-Service/VDE-gepruefteProdukte/Seiten/Online-Suche.aspx</a>	40024424

Phoenix Contact 2019 © - all rights reserved  
<http://www.phoenixcontact.com>

PHOENIX CONTACT GmbH & Co. KG  
Flachsmarktstr. 8  
32825 Blomberg  
Germany  
Tel. +49 5235 300  
Fax +49 5235 3 41200  
<http://www.phoenixcontact.com>