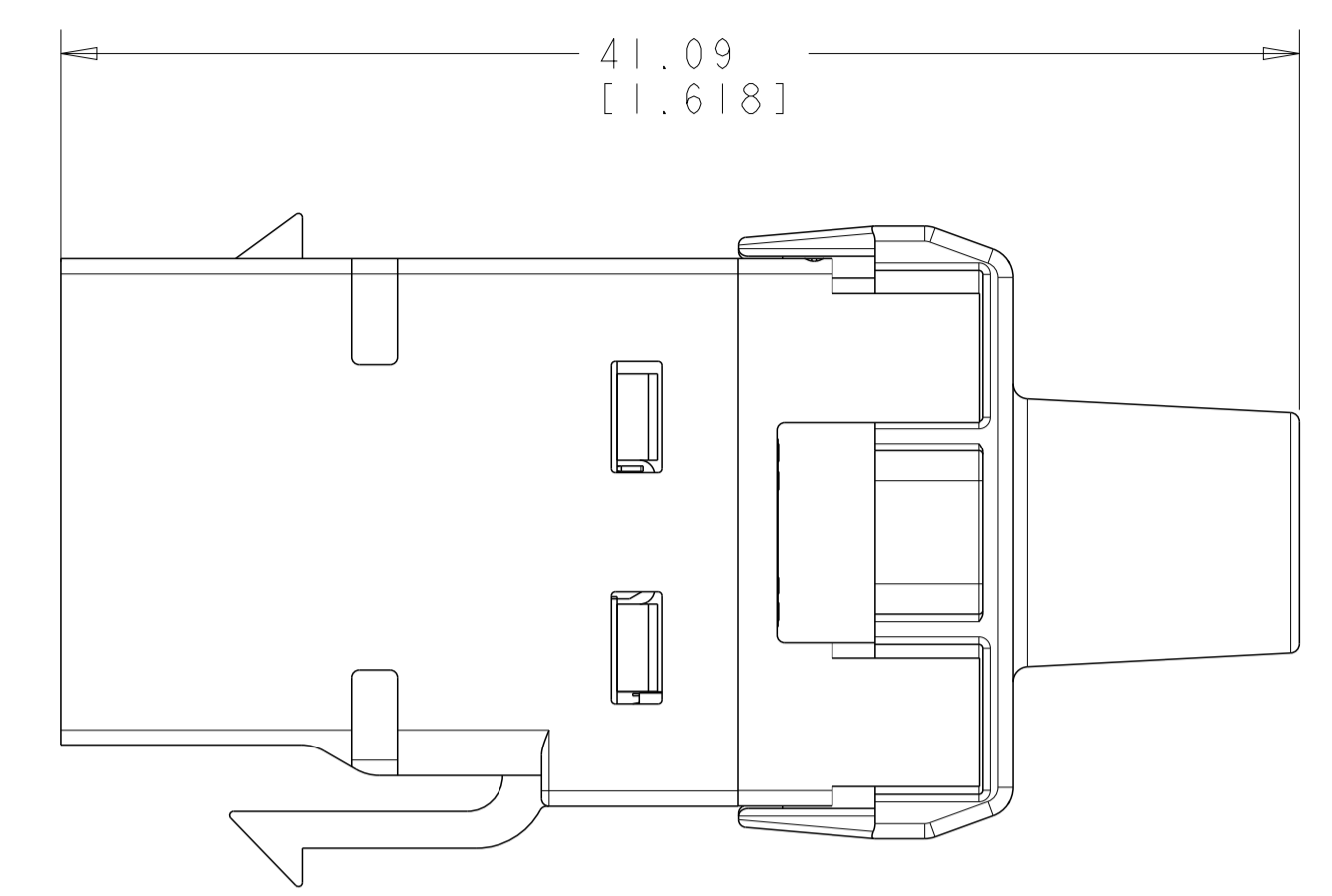
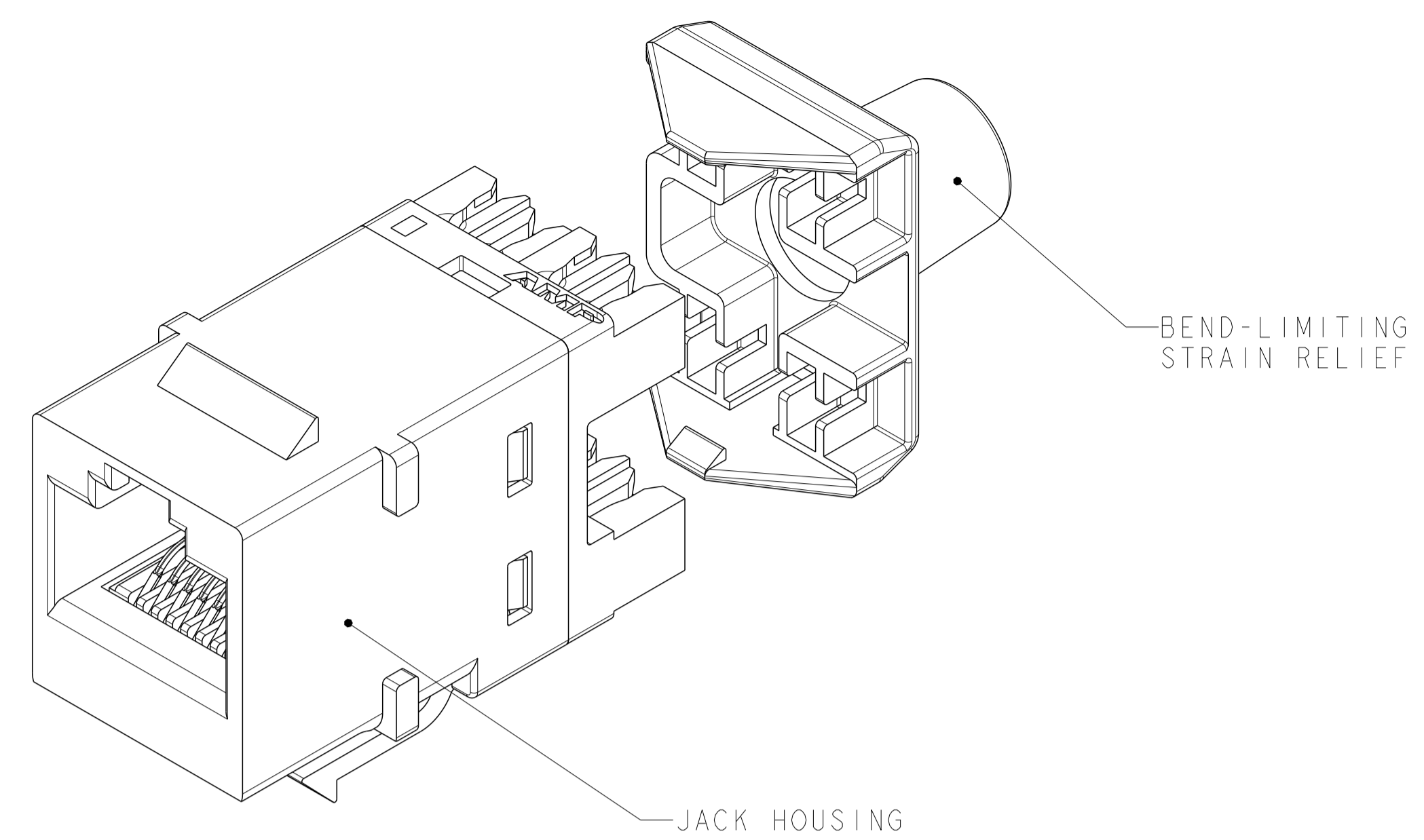
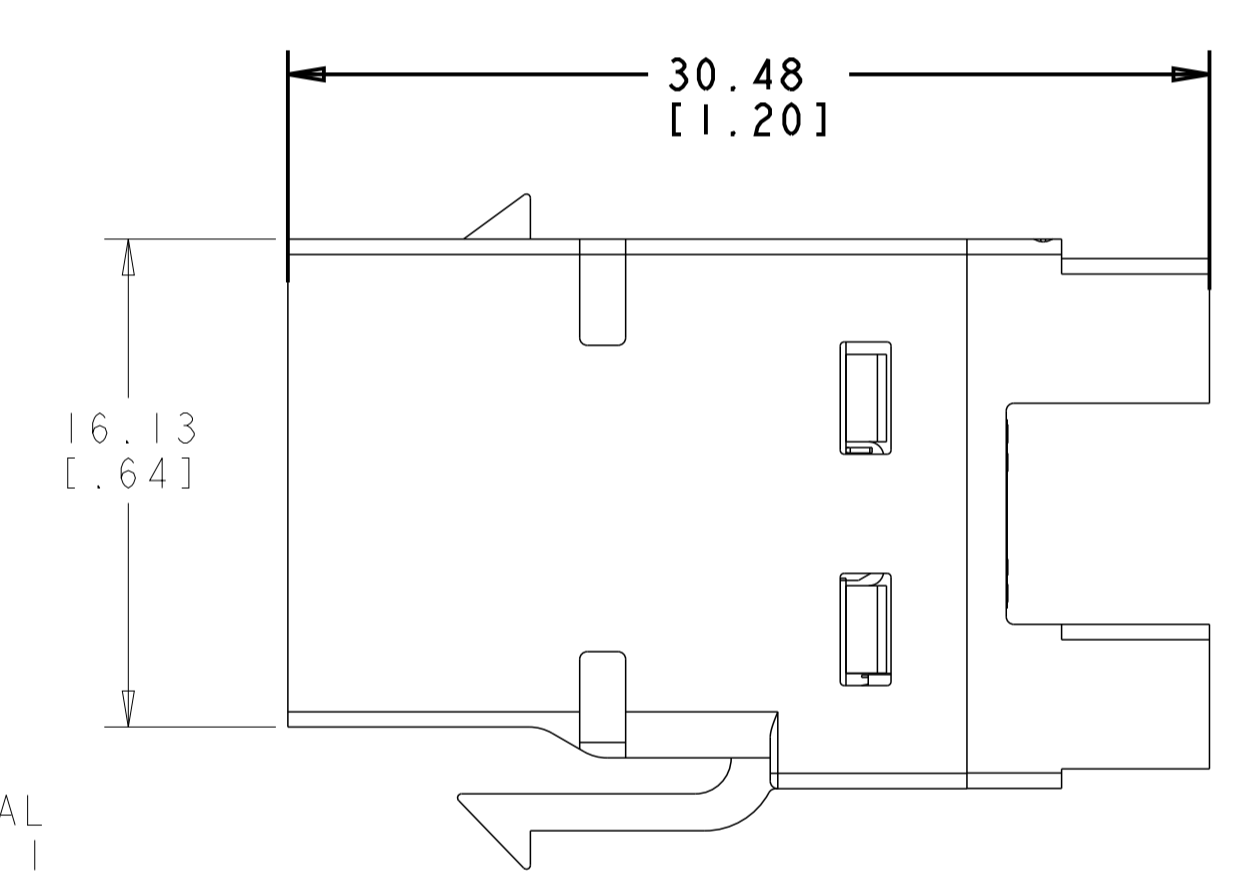
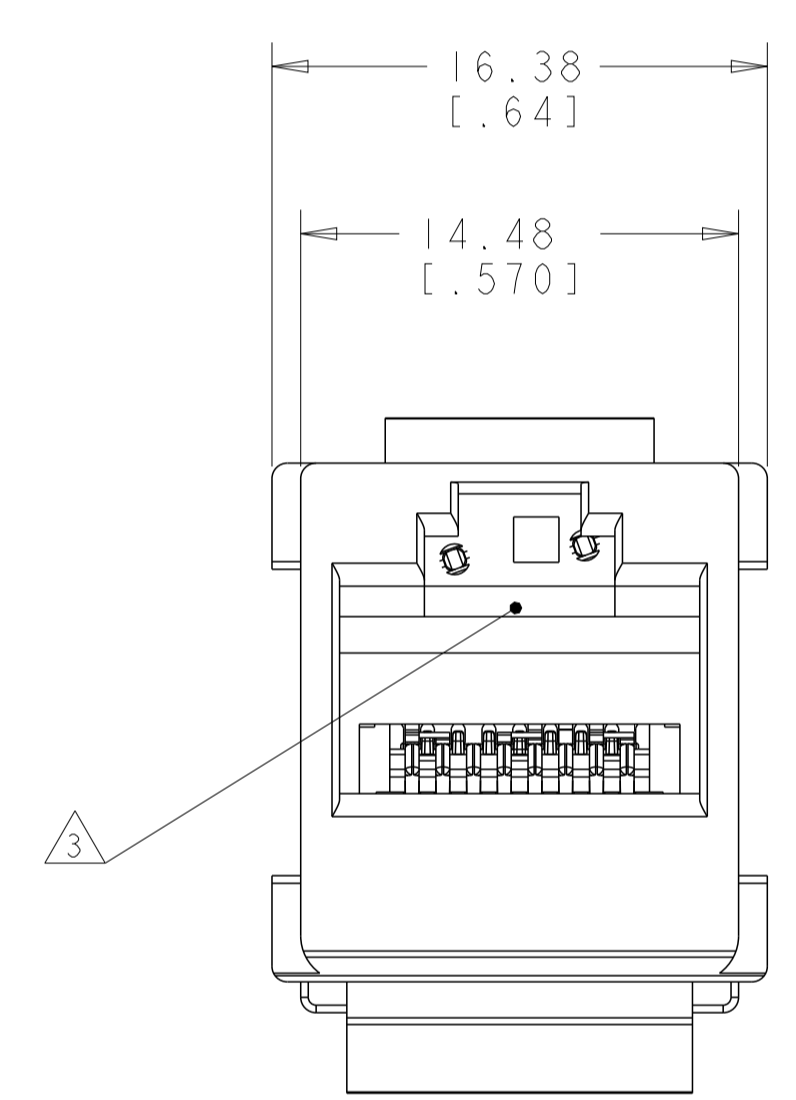


LOC	DIST	REVISIONS					
		P	LTN	DESCRIPTION	DATE	DWN	APVD
		D		ADD 1-3, REV ECO-10-004736	08MAR2010	LH	SA
		D2		REV ECO-11-008739	27APR2011	LH	SA
		D3		REV; ECO-11-021924	04NOV2011	GG	SA
		D4		REV; ECO-15-000709	20JAN2015	GG	LS

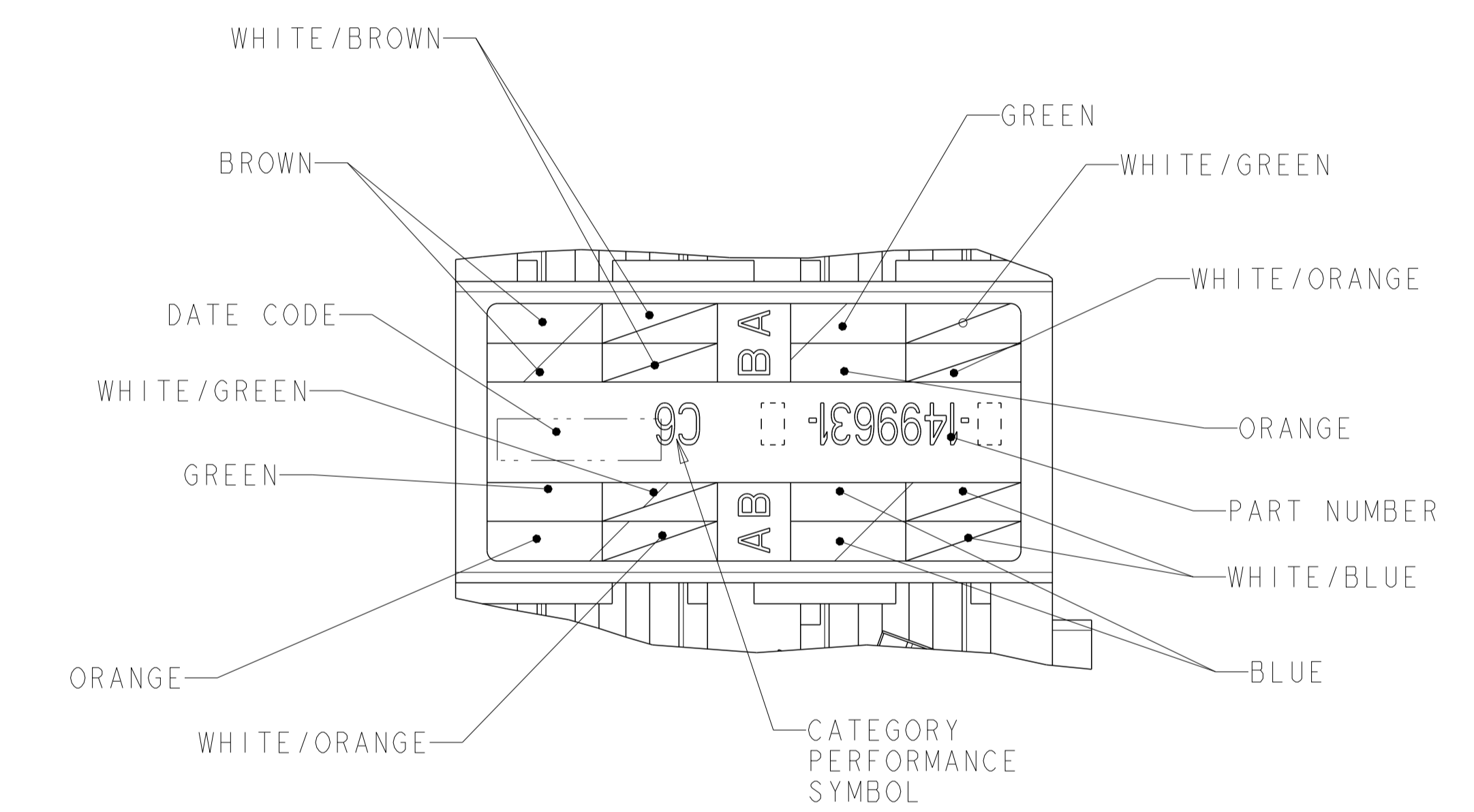
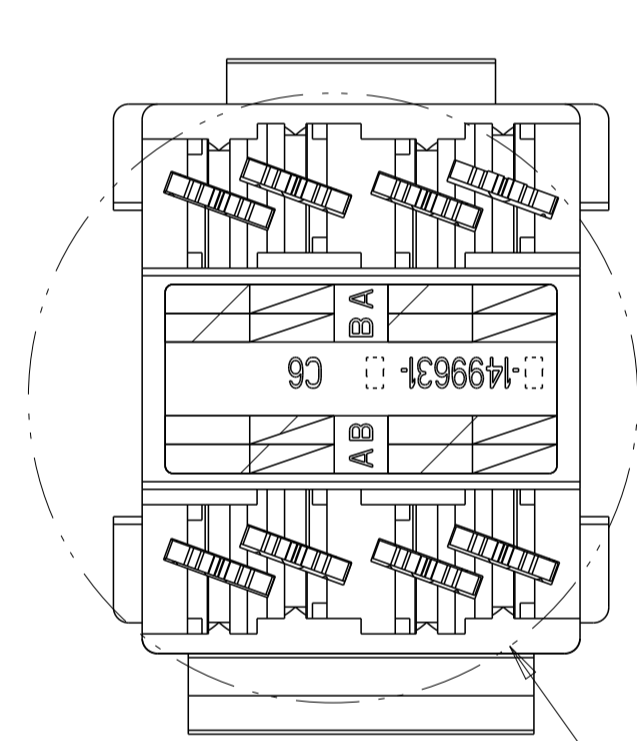


SHOWN WITH STRAIN RELIEF ASSEMBLED

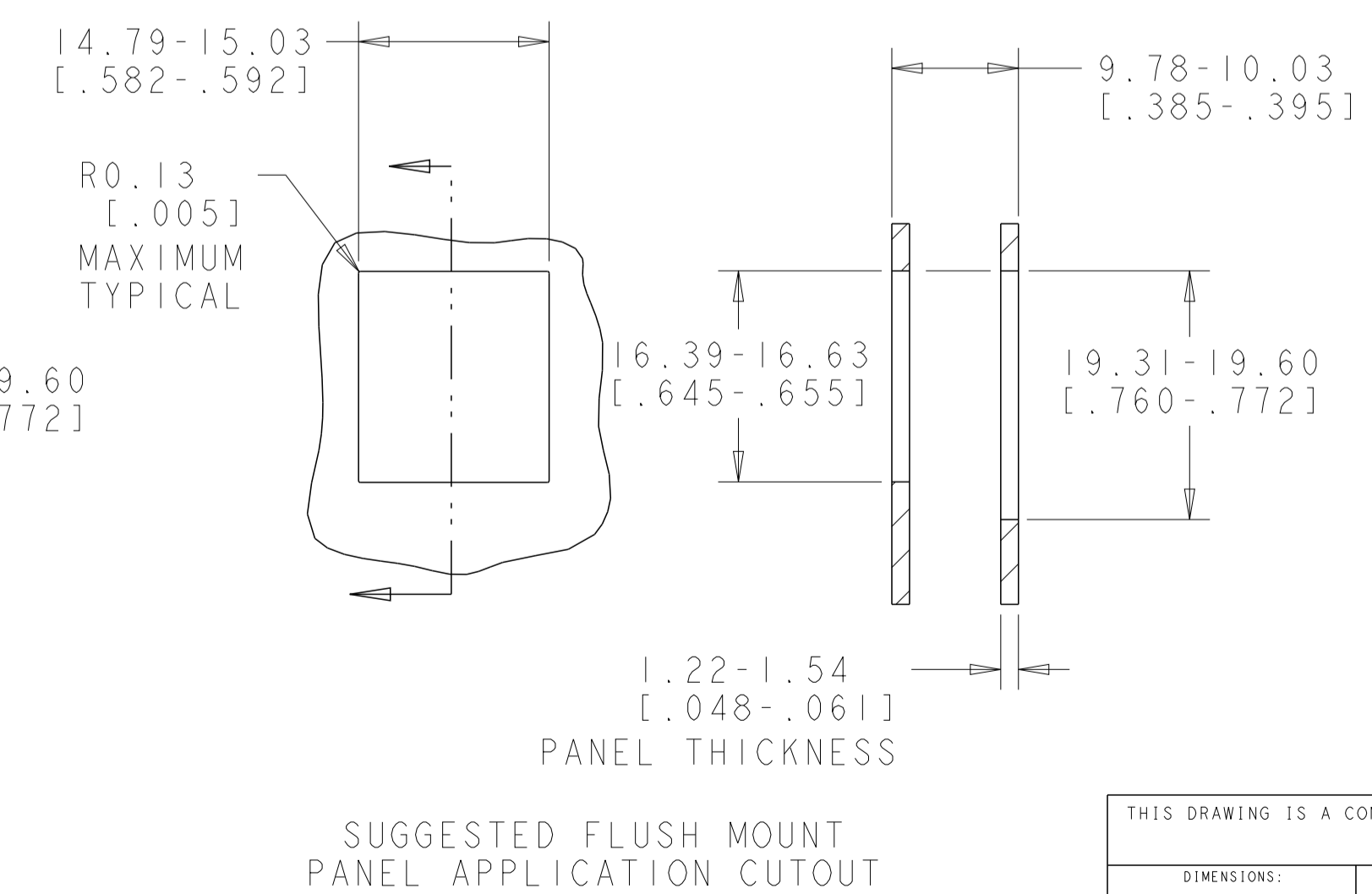
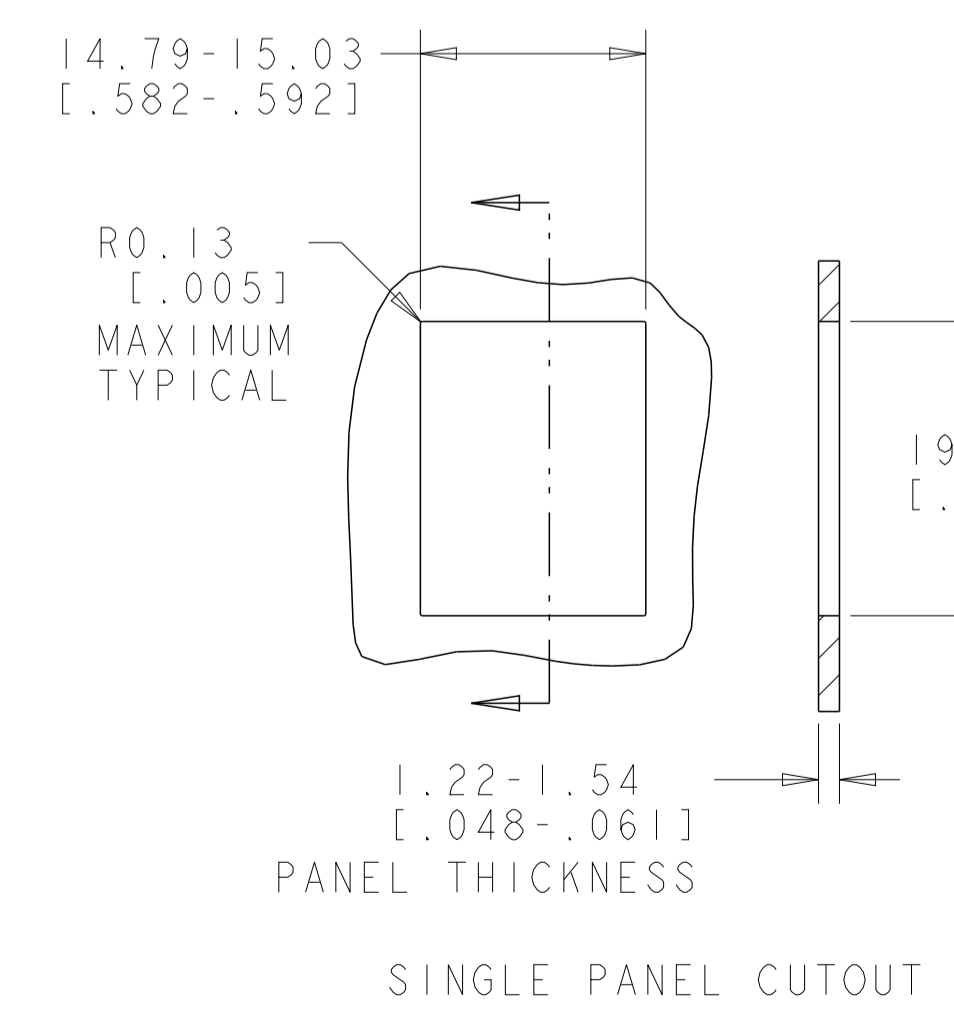
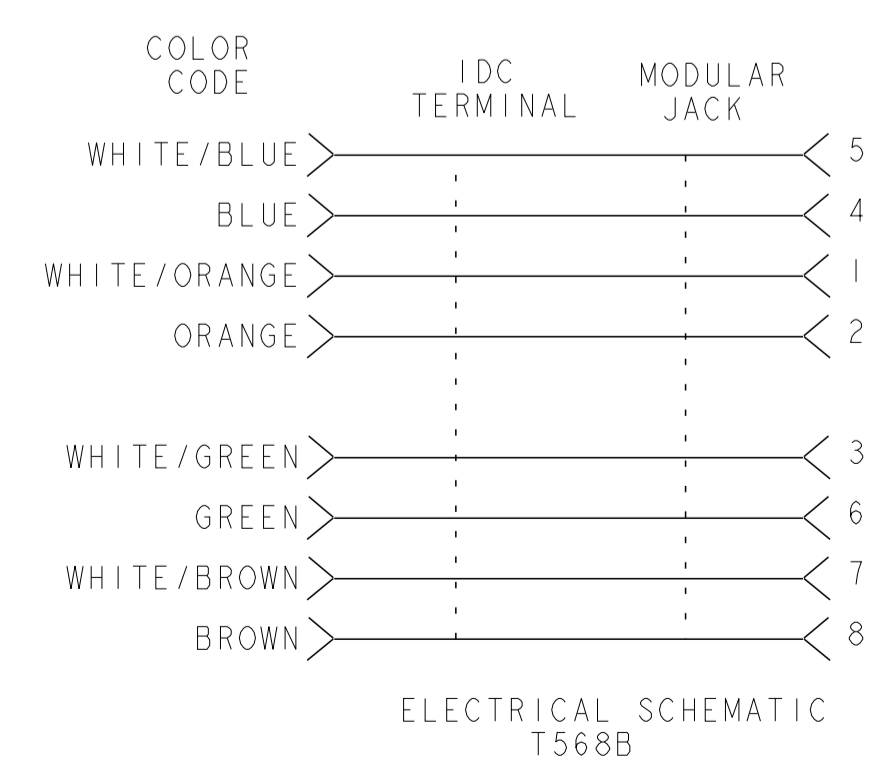
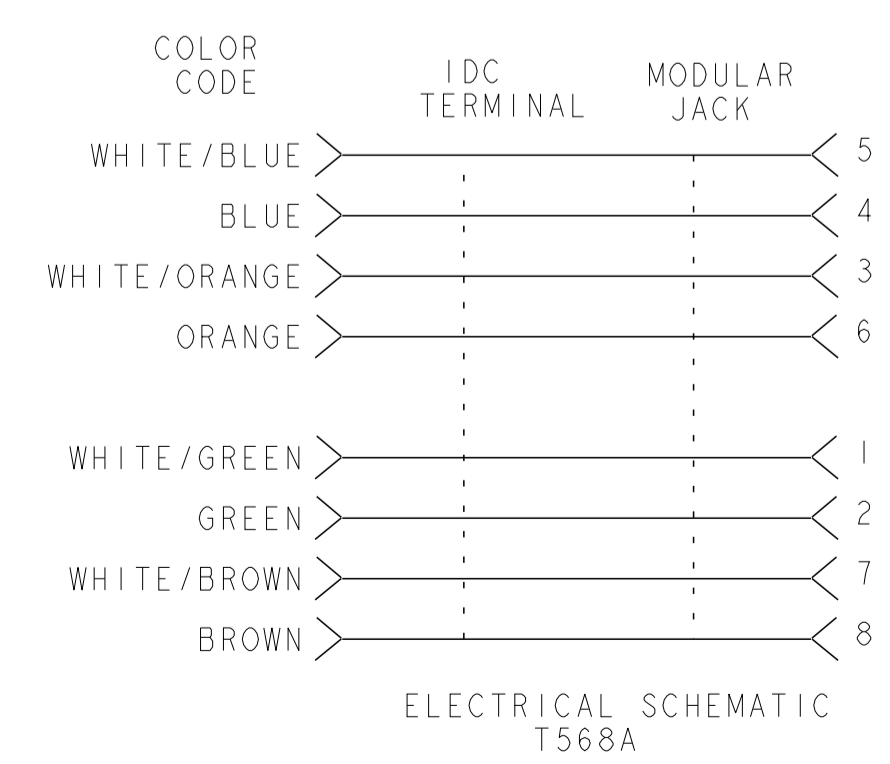
- 1. MATERIAL: JACK HOUSING - POLYCARBONATE, 94V-0 RATED. 110 BLOCK AND BEND LIMITING STRAIN RELIEF - POLYCARBONATE. ARRAY TRAY - PBT POLYESTER. JACK CONTACTS ARRAY - BERYLLIUM COPPER, PLATED WITH 1.27µm [.000050] MINIMUM THICK GOLD IN LOCALIZED AREA AND 3.81µm [.000150] MINIMUM THICK MATTE TIN IN BOARD INTERFACE AREA OVER 1.27µm [.000050] MINIMUM THICK NICKEL UNDERPLATE. IDC TERMINALS - PHOSPHOROUS BRONZE, PLATED WITH 3.81µm [.00015] MINIMUM THICK MATTE TIN OVER 1.27µm [.00005] MINIMUM THICK NICKEL UNDERPLATE.
- 2. KL 110 JACK WILL TERMINATE 22-24 AWG SOLID AND 24-26 AWG STRANDED CONDUCTORS, 1.27[.050] MAXIMUM INSULATION DIAMETER. JACK WILL ACCEPT CONDUCTORS UP TO 1.45 [.057] BUT REQUIRE THE USE OF A STRAIN RELIEF.
- 3. CAVITY CONFORMS TO FCC RULES AND REGULATIONS) PART 68 SUBPART F REQUIREMENTS.
- 4. MOUNTING PANEL THICKNESS 1.22 - 1.55 [.048 - .061].
- 5. THESE TWO SUGGESTED CUTOUT OPENINGS ARE USED IN TANDEM WITH DUAL FRONT AND BACK CUTOUTS.
- 6. ONE MODULAR JACK ASSEMBLY PER POLYBAG.
- 7. USE IS OPTIONAL.
- 8. REFER TO 408-8858 FOR TERMINATION INSTRUCTIONS USING SL SERIES TOOL TERMINATION. REFER TO 408-8417 FOR TERMINATION INSTRUCTIONS USING 110 PUNCH DOWN TOOL.



TERMINAL NUMBER 1



DETAIL A SCALE 8:1



PACKAGE	HOUSING COLOR	PART NUMBER
	ALPINE WHITE	1-1499631-3
	ELECTRIC IVORY	1-1499631-1
	VIOLET	1-1499631-0
	GREEN	1499631-9
	YELLOW	1499631-8
	RED	1499631-7
	BLUE	1499631-6
	ORANGE	1499631-5
	NEMA GRAY	1499631-4
	WHITE	1499631-3
	BLACK	1499631-2
	LIGHT ALMOND	1499631-1

THIS DRAWING IS A CONTROLLED DOCUMENT.

DWN: L. SMITH 30JUN2005
CHK: C. DOOLEY 06JUL2005
APVD: C. DOOLEY 06JUL2005

TE Connectivity

ASSY, CAT 6, UTP, KL SERIES JACK

SIZE: A1 00779 C=1499631

Customer Drawing SCALE: 4:1 SHEET 1 OF 1 REV: D4