

AVRGT

1

2

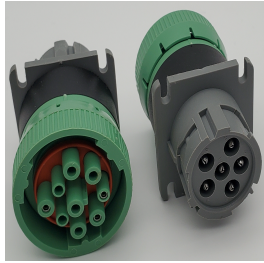
3

4

5

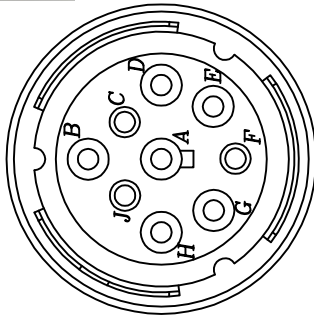
6

NO.	MOULD NO.	REMARK
1		THE FIRST RELEASE

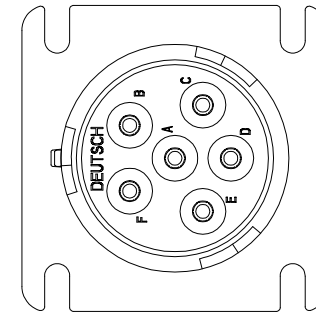
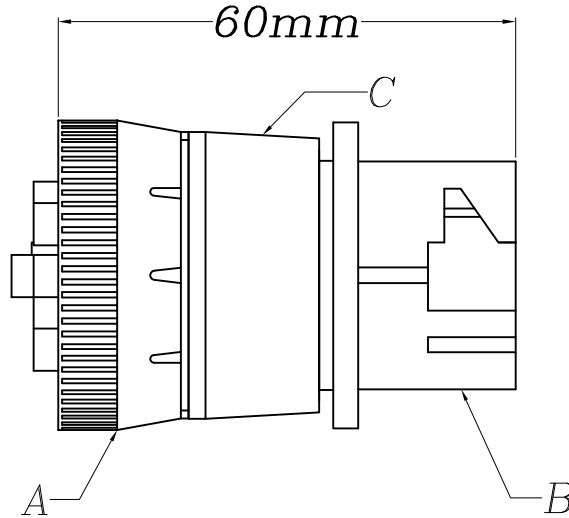


A

A



P1 J1939-9P FEMALE



P2 J1708-6P MALE

B

B

C

C

PIN ASSIGNMENT

P1 J1939-9P FEMALE

P2 J1708-6P MALE

A	_____	E
B	_____	C
F	_____	A
G	_____	B

TESTING

- 1.Any Open,Short Miswiring & Intermittent are not permitted.
- 2.Contact Resistance:1Ω.
- 3.Insulation Resistance:50MΩ/250V DC MIN.
- 4.This product is ROHS compliant.

Designed-MFG by AVR Global Tech

ITEM	BILL OF MATERIAL /SPECIFICATION	QTY	UNIT
D	CABLE:UL1007 20AWG L=60MM	4	PCS
D	C OVERMOLD:BLACK 25P BLACK PVC	30	G
B	J1708-6PIN MALE CONNECTOR:GRAY PA66+GF	1	SET
A	J1939-9PIN FEMALE CONNECTOR:GREEN PA66+GF	1	SET

QUALITY SYMBOLS	Molded 1-piece adapter													
	150149-M01-130													
 	<table border="1"> <tr> <th>GENERAL TOLERANCES</th> <td></td> </tr> <tr> <td>X ±---</td> <td>PRODUCT NAME</td> </tr> <tr> <td>.XX ±1.27</td> <td>J1939-9PIN FEMALE</td> </tr> <tr> <td>.XXX ±0.51</td> <td>TO J1708-6PIN MALE</td> </tr> </table>	GENERAL TOLERANCES		X ±---	PRODUCT NAME	.XX ±1.27	J1939-9PIN FEMALE	.XXX ±0.51	TO J1708-6PIN MALE	<table border="1"> <tr> <td>DWG NO.</td> <td>6869-137</td> </tr> <tr> <td>PART NO.</td> <td>150149-M01-130</td> </tr> </table>	DWG NO.	6869-137	PART NO.	150149-M01-130
	GENERAL TOLERANCES													
X ±---	PRODUCT NAME													
.XX ±1.27	J1939-9PIN FEMALE													
.XXX ±0.51	TO J1708-6PIN MALE													
DWG NO.	6869-137													
PART NO.	150149-M01-130													
 	<table border="1"> <tr> <th>ANGLE TOLERANCES</th> <td></td> </tr> <tr> <td>X° ±1.0°</td> <td>Andy</td> </tr> <tr> <td>X° ±---</td> <td>9-4-19</td> </tr> </table>	ANGLE TOLERANCES		X° ±1.0°	Andy	X° ±---	9-4-19	<table border="1"> <tr> <td>UNIT: MM</td> <td>SHEET: 1/1</td> </tr> <tr> <td>SIZE: A4</td> <td>SCALE: 1:1</td> </tr> <tr> <td>VER: A/1</td> <td></td> </tr> </table>	UNIT: MM	SHEET: 1/1	SIZE: A4	SCALE: 1:1	VER: A/1	
	ANGLE TOLERANCES													
X° ±1.0°	Andy													
X° ±---	9-4-19													
UNIT: MM	SHEET: 1/1													
SIZE: A4	SCALE: 1:1													
VER: A/1														
	<table border="1"> <tr> <td>DATE: 2019/09/04</td> <td>DATE:</td> </tr> <tr> <td>DRAWN BY</td> <td>APPROVED BY</td> </tr> </table>	DATE: 2019/09/04	DATE:	DRAWN BY	APPROVED BY									
DATE: 2019/09/04	DATE:													
DRAWN BY	APPROVED BY													

1

2

3

4

5

6

AVRGT