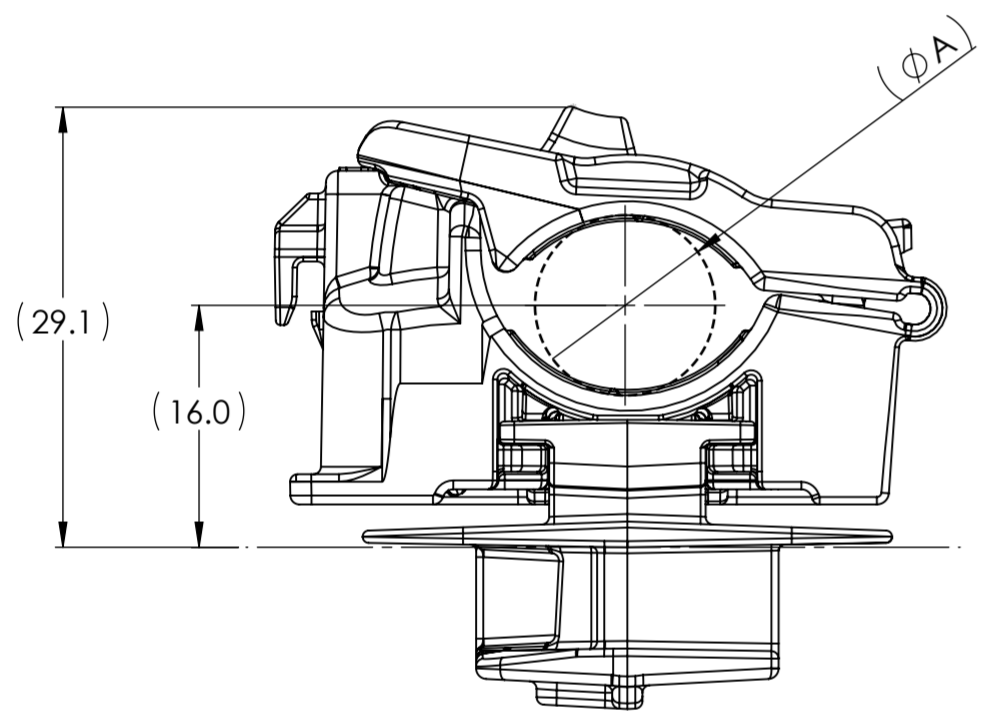
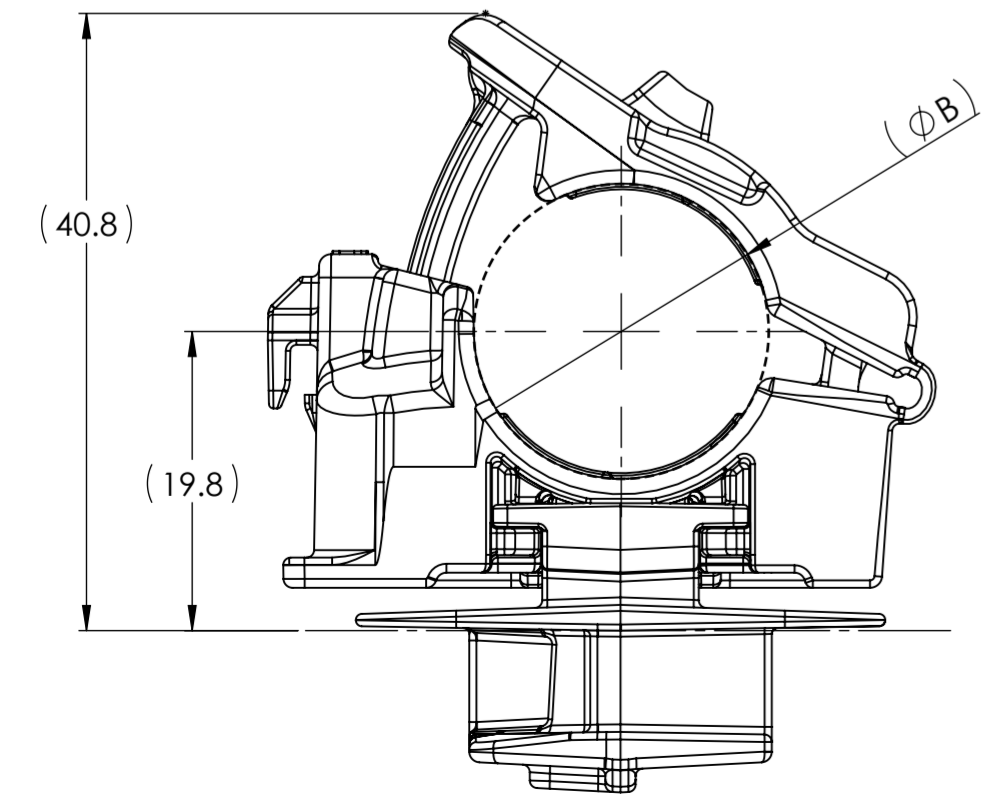


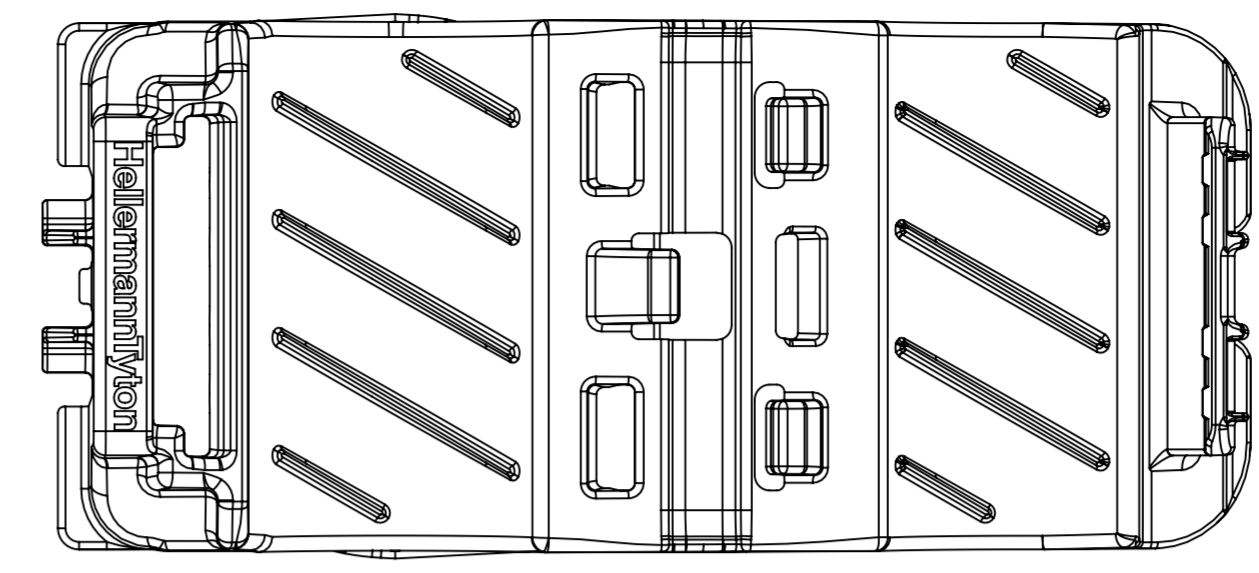
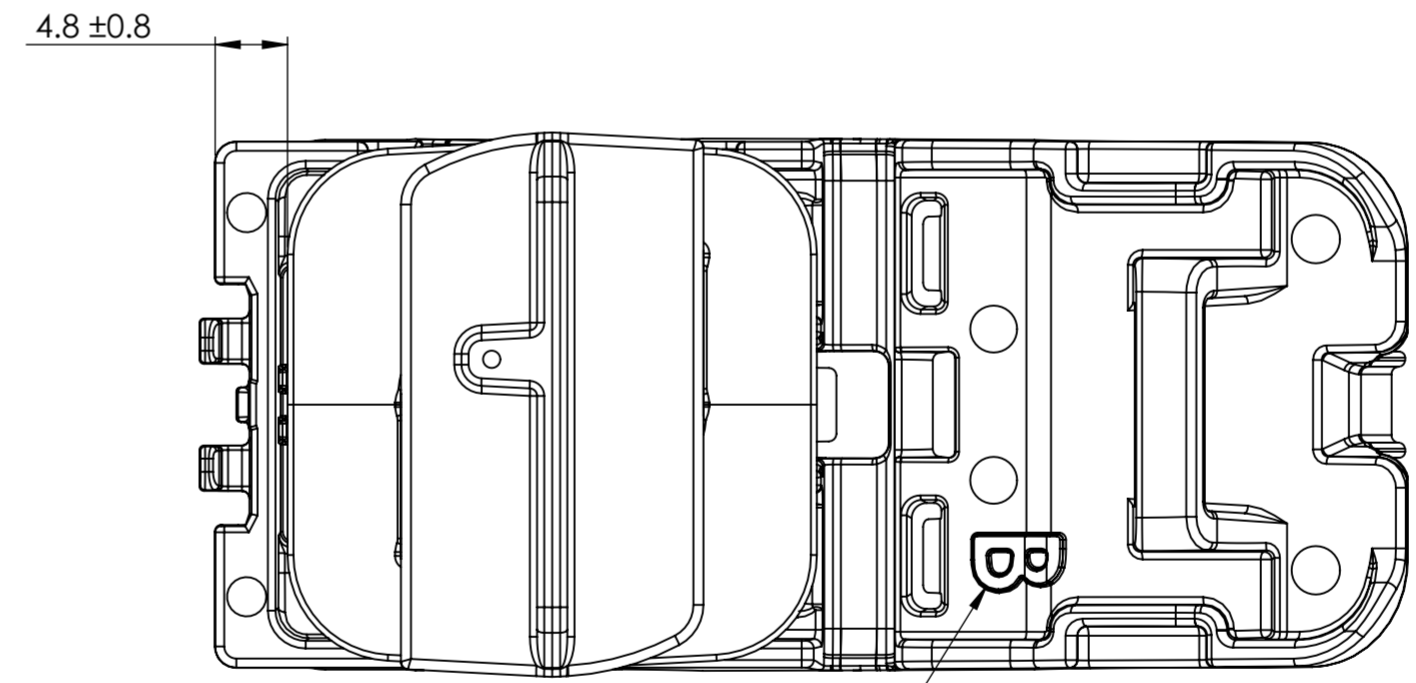
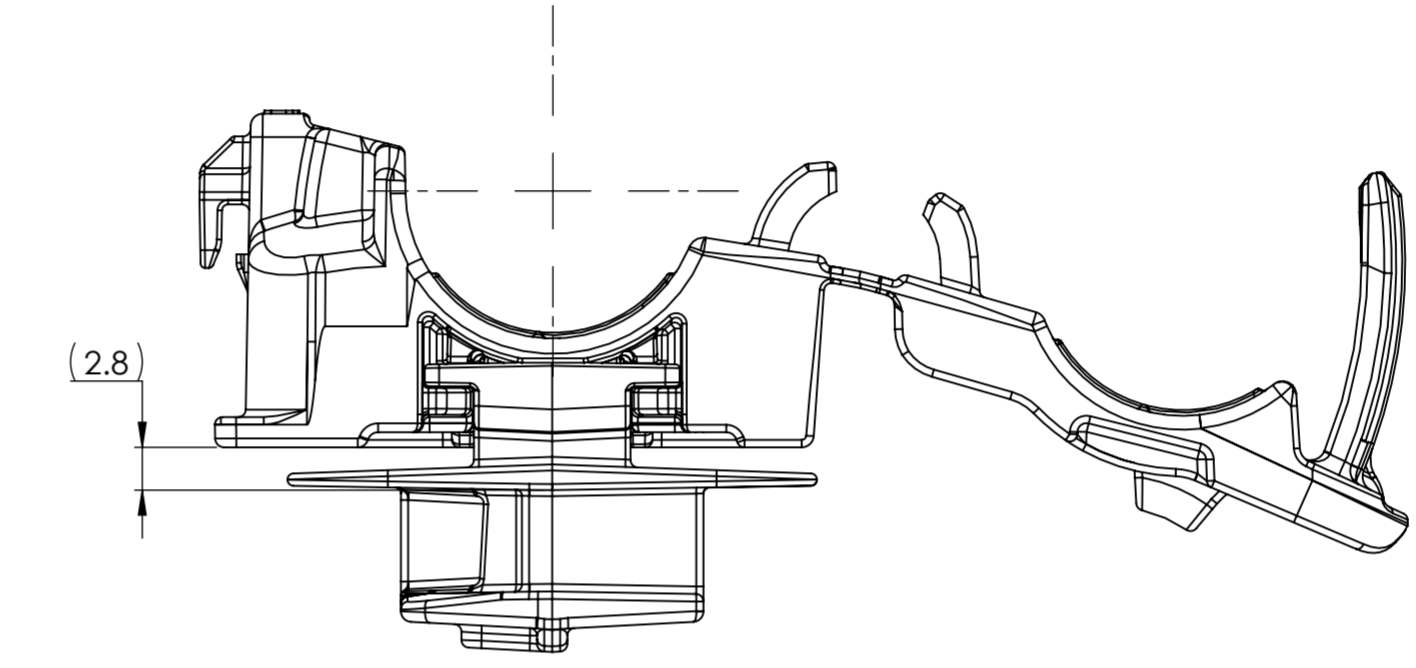
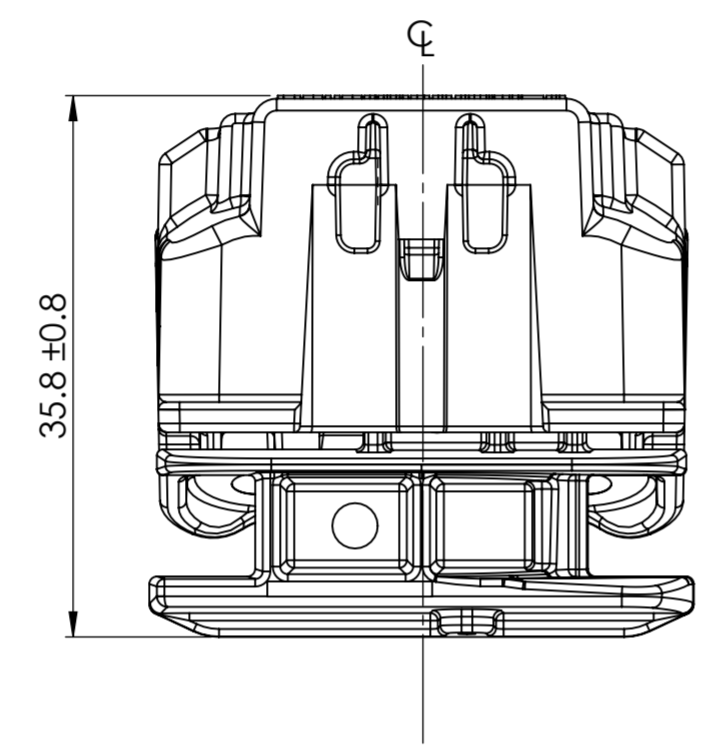
Isometric View  
SCALE 1.5 : 1  
Product shipped in clamp  
open position as shown



Minimum Bundle Diameter



Maximum Bundle Diameter



**Initial Mold Validation:**  
Dry as molded with ≤ 0.5% moisture content:  
  
ITS-0003 Ratchet Clamp Solid Mandrel Test:  
Exceeded 311 newtons (70 lbf) min at a nominal  
bundle diameter of 15.88

Global Part Description	Bundle Types	(A) Minimum Diameter	(B) Maximum Diameter	IRCB CLAMP			IRCSTRUT Connector Clip		
				Drawing	Material	Color	Drawing	Material	Color
IRCSTRUT-PA66HIRHSUV-BK	Soft Hard	12.7 11.9	19.5 18.7	16-1640-002-CSU	PA66HIRHSUV	BLACK	19-2104-001-CSU	PA66HIRHSUV	Black

Revision level			Revision Record			The copyright of this drawing is reserved by HellermannTyton.	Units <b>mm</b>	<b>HellermannTyton</b> www.HellermannTyton.com	Drawing-No <b>19-2105-102-CSU</b>	Title Inline Ratchet P-Clamp B-Size with 1-5/8" Strut Attachment	Scale 2:1  Global Project Number 19-2105
Drawing	State	Part	Changed	Date (YYYY/MM/DD)	ECN#						
00.0	Design Release	-	Toll	2020/05/01	015881	All drawing revision are stored in CAD PDM database	Drawn Toll Date (YYYY/MM/DD) 2020/04/30  Approved Lewinski Date (YYYY/MM/DD) 2020/04/30	Format A2	Sheet 1/1		
			Approved	Date (YYYY/MM/DD)							
			Lewinski	2020/04/30							