

## Housing - HC-B 32-TFQ-80/M1PG29S - 1775664


Please be informed that the data shown in this PDF Document is generated from our Online Catalog. Please find the complete data in the user's documentation. Our General Terms of Use for Downloads are valid (<http://phoenixcontact.com/download>)



Sleeve housing, for double locking latch, height 80 mm, with screw connection, 1x Pg29, lateral cable entry



### Key Commercial Data

Packing unit	10 pc
GTIN	 4 017918 038236
GTIN	4017918038236

### Technical data

#### Dimensions

Height	80 mm
Width	79 mm
Length	94 mm
Wrench size, union nut	37 mm
External cable diameter	18 mm ... 27 mm

#### Ambient conditions

Degree of protection (IP)	IP65
Ambient temperature (operation)	-40 °C ... 125 °C

#### General

Note	For contact inserts HC-B32, DD144, M
Size	B32
Housing type	Sleeve housing
Color	gray aluminum
Locking type	for double locking latch
No. of cable outlets	1
Cable outlet	lateral
Screw connection	with

# Housing - HC-B 32-TFQ-80/M1PG29S - 1775664

## Technical data

### General

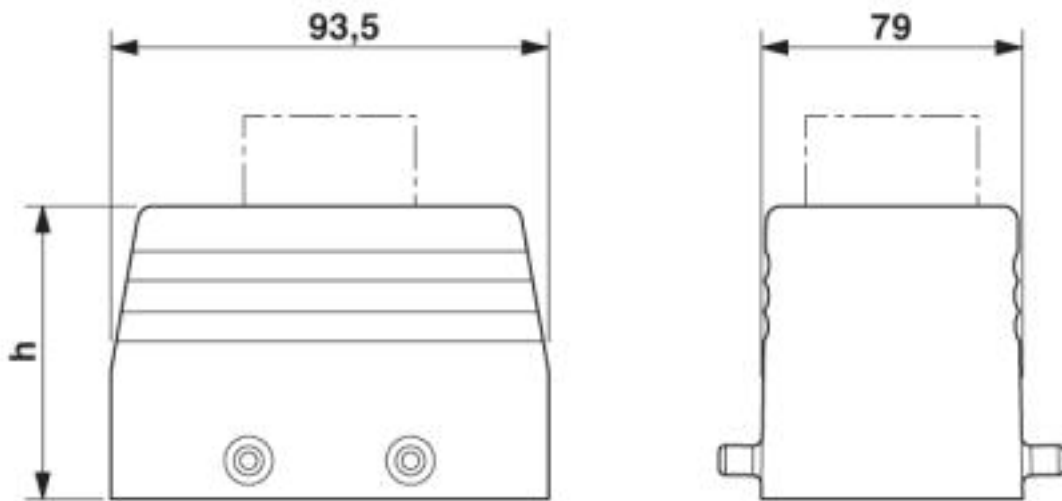
Type of the screw connection	1x Pg29
Housing material	Aluminum die-cast
Housing surface material	Powder-coated, gray
Cable gland material	Nickel-plated brass
Cable seal material	NBR

### Environmental Product Compliance

China RoHS	Environmentally friendly use period: unlimited = EFUP-e
	No hazardous substances above threshold values

## Drawings

Dimensional drawing



Dimensional drawing

## Approvals

### Approvals

Approvals

EAC

Ex Approvals

### Approval details

## Housing - HC-B 32-TFQ-80/M1PG29S - 1775664

### Approvals

EAC



RU C-  
DE.AI30.B.01102

Phoenix Contact 2019 © - all rights reserved  
<http://www.phoenixcontact.com>

PHOENIX CONTACT GmbH & Co. KG  
Flachsmarktstr. 8  
32825 Blomberg  
Germany  
Tel. +49 5235 300  
Fax +49 5235 3 41200  
<http://www.phoenixcontact.com>