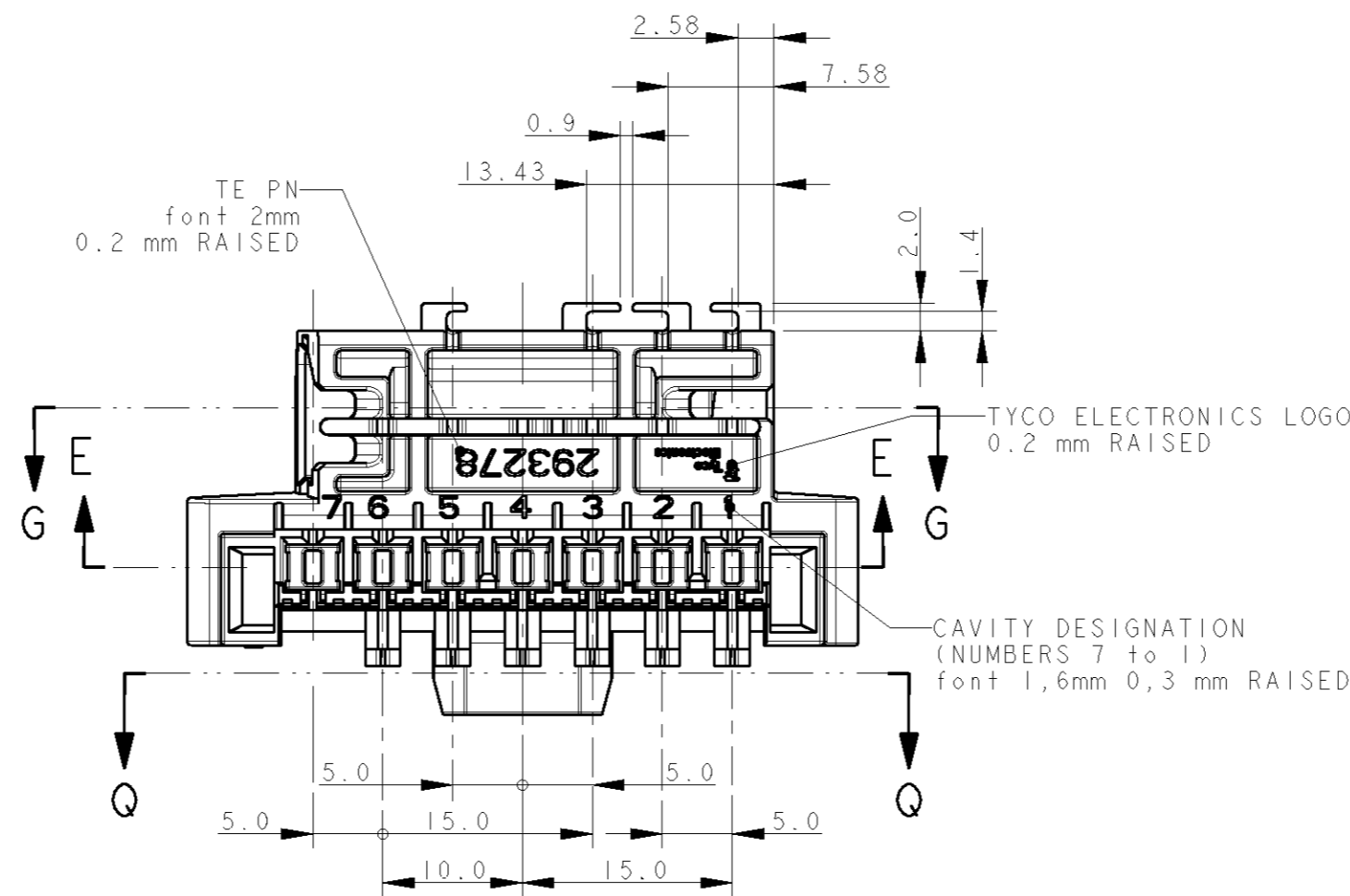
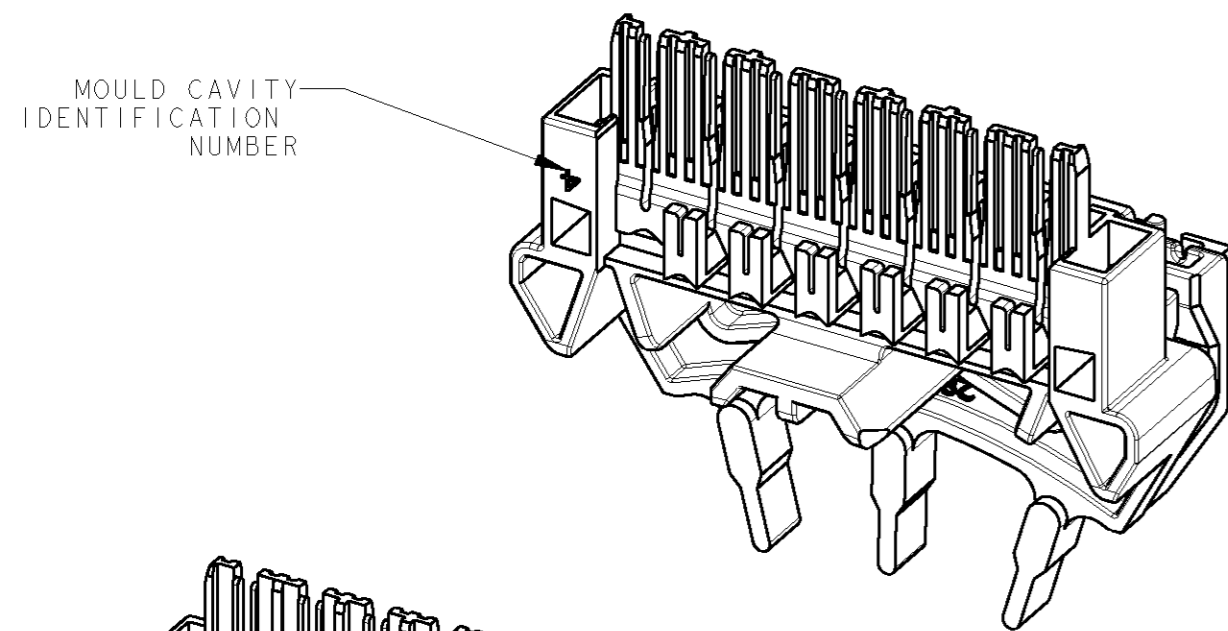
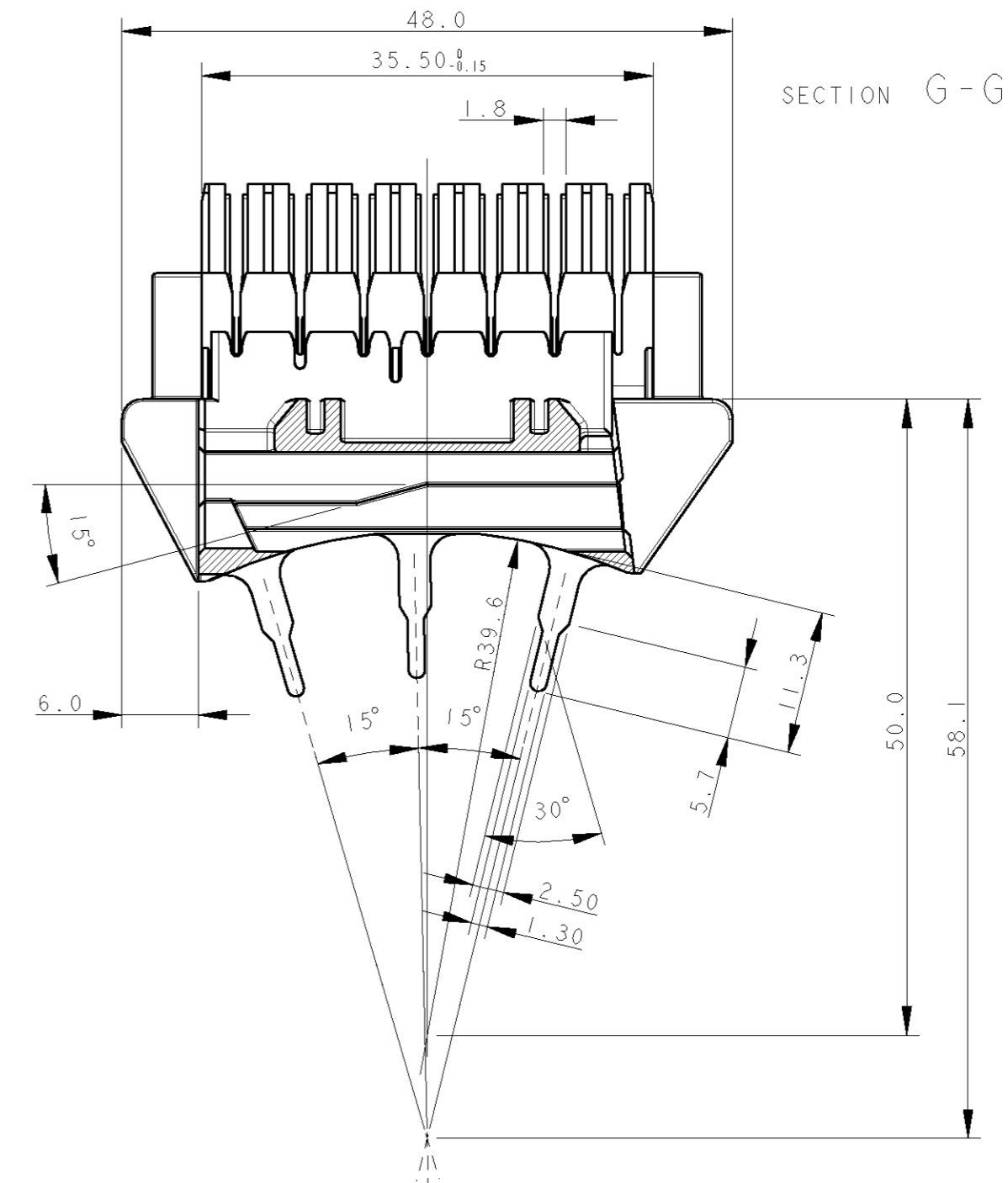
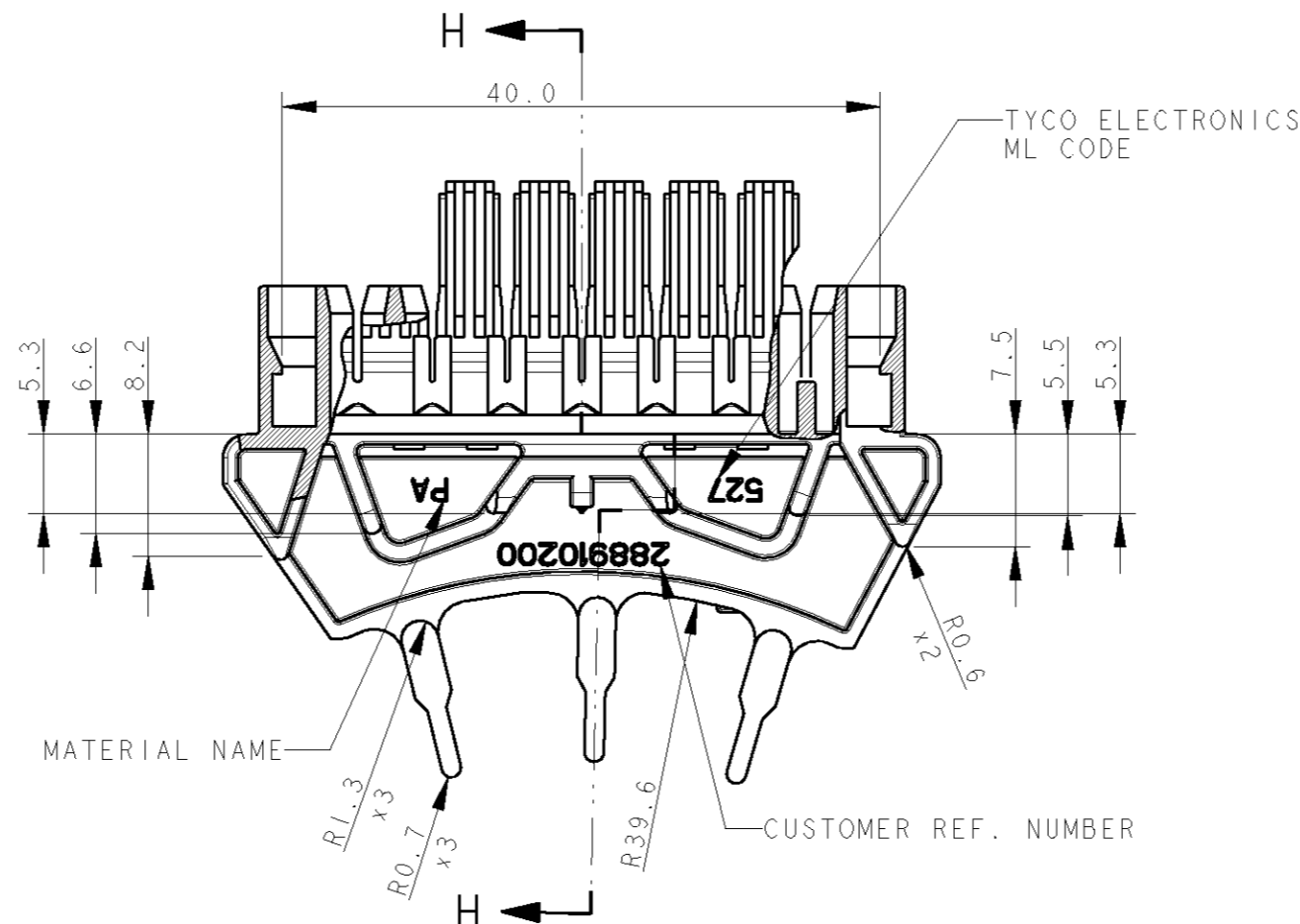
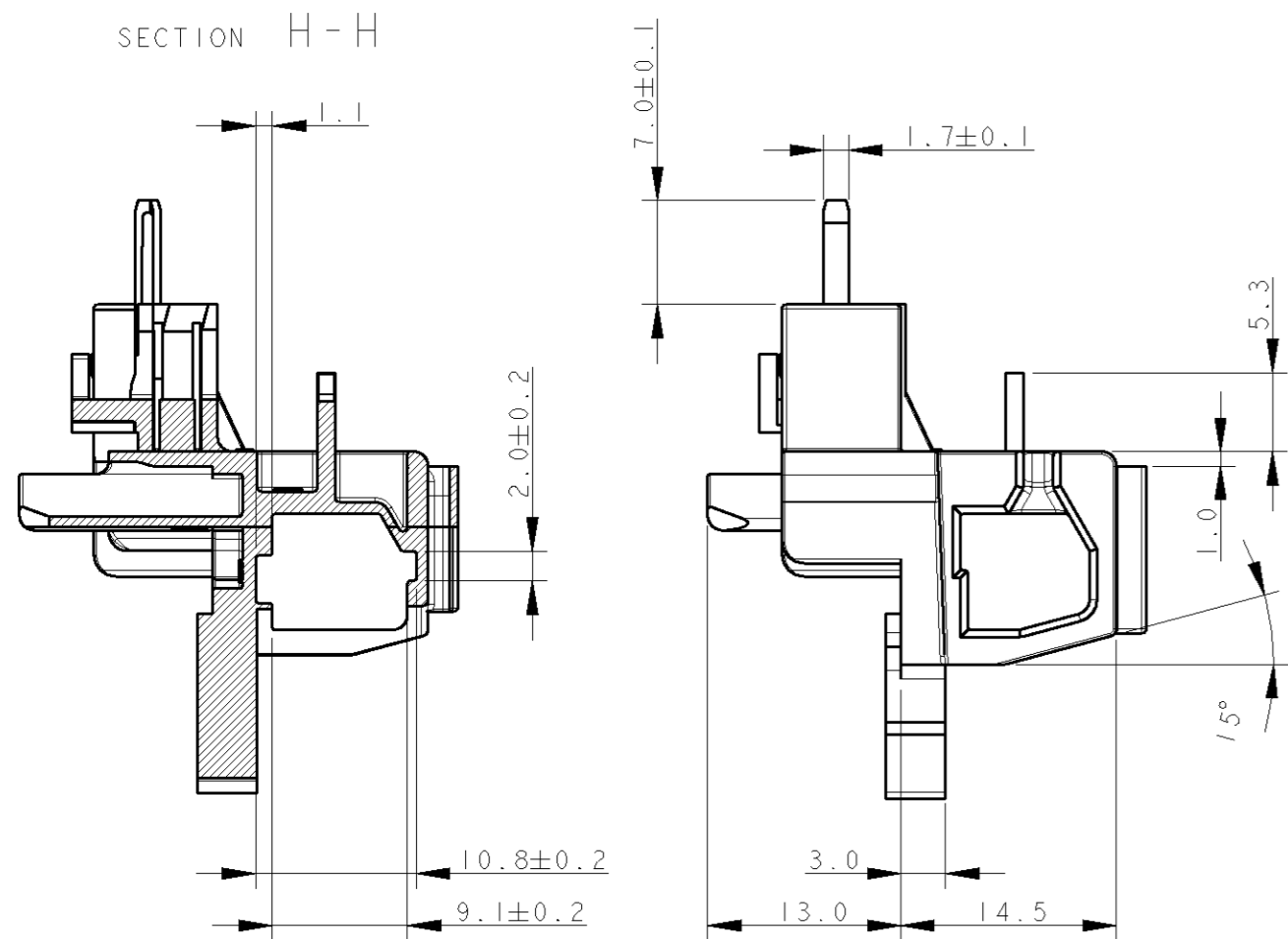


THIS DRAWING IS UNPUBLISHED. RELEASED FOR PUBLICATION 20
 © COPYRIGHT 20 BY TYCO ELECTRONICS CORPORATION. ALL RIGHTS RESERVED.

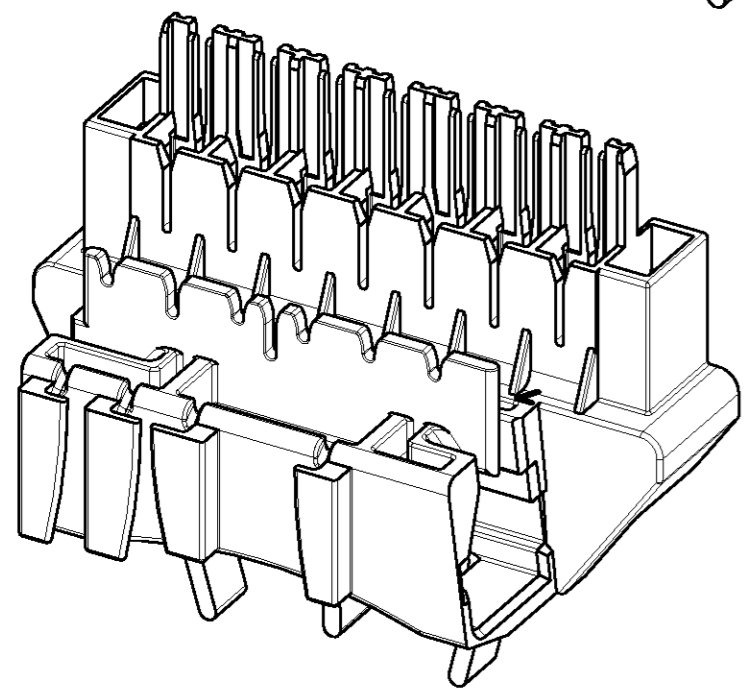
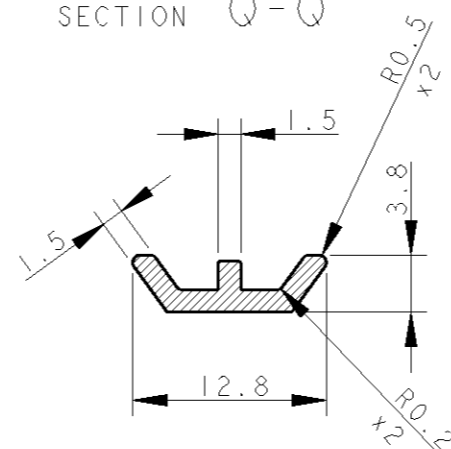
LOC		DIST		REVISIONS			
P	LTR	DESCRIPTION		DATE	DWN	APVD	
0		FIRST EMISSION		21MAR2007	HY	GT	
1		CHANGED SHAPE		13JUL2007	HY	GT	
0		UPDATED MOUNTING DIM.S		10OCT2007	HY	GT	
A		ADDED DIM.		14JAN2008	HY	GT	

SECTION E-E
SCALE 2:1



VOLUME: approx. 5649 mm³

SECTION Q-Q



2:1

natural	Zytel HTN FR 52 G30 BL NC 010	293278-1	A
COLOR	MATERIAL	PART NO	REV

THIS DRAWING IS A CONTROLLED DOCUMENT FOR TYCO ELECTRONICS CORPORATION. IT IS SUBJECT TO CHANGE AND THE CONTROLLING ENGINEERING ORGANIZATION SHOULD BE CONTACTED FOR THE LATEST REVISION.		DWN H. Yaqali 21MAR2007	AMP Italia S.p.A. C.so F.lli Cervi, 15 COLLEGGNO (TO)	
DIMENSIONS: mm		CHK H. Yaqali	NAME	
TOLERANCES UNLESS OTHERWISE SPECIFIED: 0 PLC ±0.3 1 PLC ±0.3 2 PLC ±0.2 3 PLC ±0.2 4 PLC ±0.2 ANGLES ±1° FINISH		APVD G. Turco	PRODUCT SPEC	
MATERIAL see table		APPLICATION SPEC		SIZE A2p0779C-293278
		WEIGHT 9.0 GR		RESTRICTED TO
		CUSTOMER DRAWING		SCALE 2:1 SHEET 1 OF 1 REV A