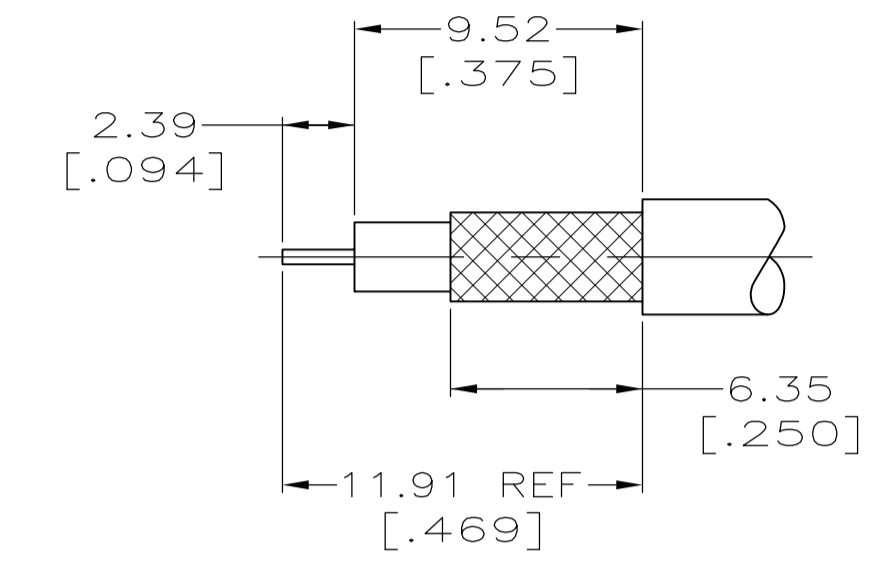
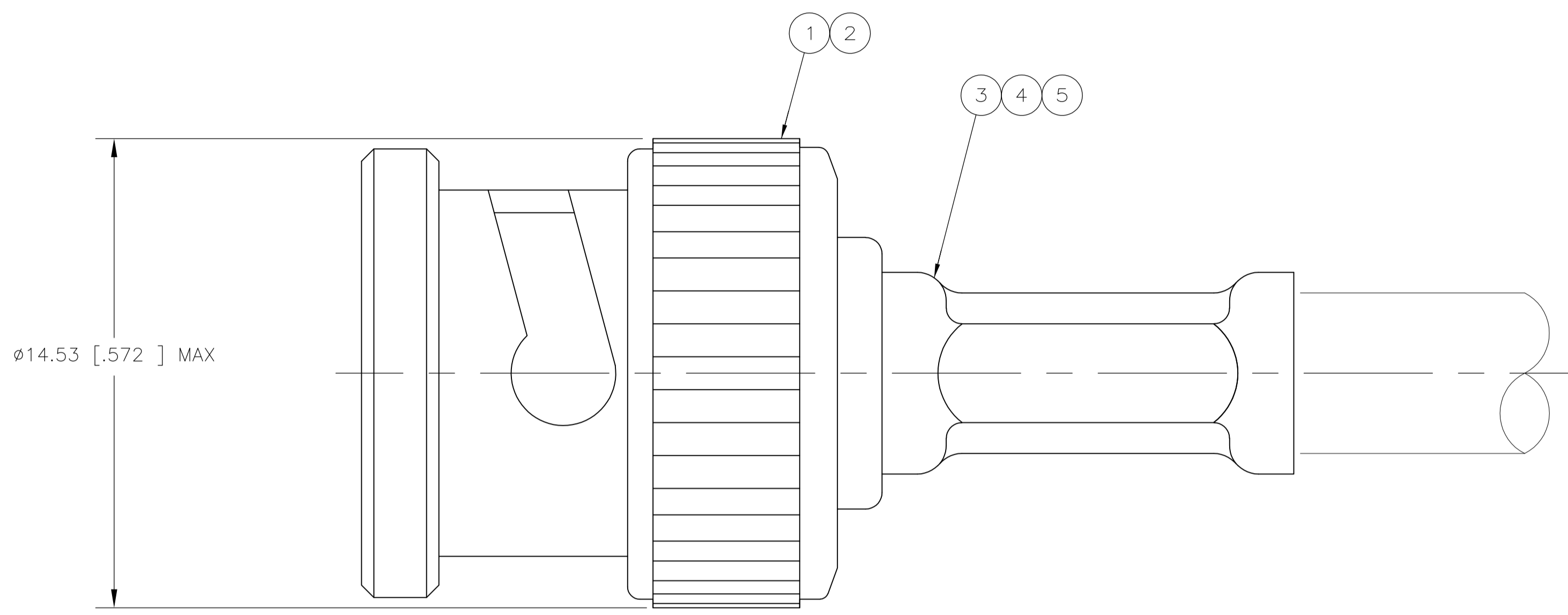
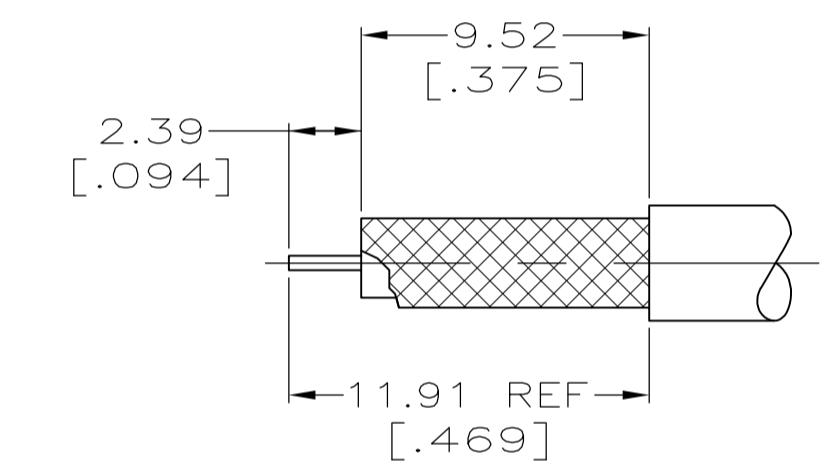


REVISIONS				
P	LTR	DESCRIPTION	DATE	OWN APVD
B2	REVISED PER	ECR-17-009545	14JUL2017	AS RS

- △ USE PRO-CRIMPER II: 354940-1
- 2. USE INSTRUCTION SHEET 408-9766
- △ SPECIAL PACKAGING: BULK PACKAGE 25 PIECES
- △ SPECIAL PACKAGING: BULK PACKAGE 100 PIECES



RECOMMENDED STRIP LENGTH
SCALE 4:1



RECOMMENDED STRIP LENGTH
SCALE 4:1
(FOR 5413589-5 ONLY)

△	RAYDEX/CDT RA7000	1.07 [.042]	5.41 [.213]	58425-1	-	-	8-221132-9	413657-2	9-413653-2	2-5413589-5
△	3M TYPE 138	1.07 [.042]	4.52 [.178]	58425-2	227194-2	222001-4	9-413658-0	1-413657-5	9-413653-1	2-5413589-3
△	CUSTOM CABLE: C/C=ø.021, DIELECTRIC=ø.122, JACKET=ø.173	1.07 [.042]	5.41 [.213]	58425-1	-	-	9-221132-0	1-413657-0	9-413653-2	2-5413589-1
△	BELDEN 8218 AND JIS 2.5C-2V	1.07 [.042]	4.52 [.178]	58425-2	-	-	9-221132-6	413657-4	9-413653-1	1-5413589-6
△	JIS 3C-2V	1.07 [.042]	5.41 [.213]	58425-1	-	-	9-221132-4	1-413657-0	9-413653-2	1-5413589-1
	AT&T 735A C/C=ø.016, DIELECTRIC=ø.077, JACKET=ø.130	1.07 [.042]	4.52 [.178]	58425-2	-	-	9-413658-2	413657-4	9-413653-1	1-5413589-0
	RG-59 TYPE WITH .031 DIA CENTER CONTACT, BELDEN 9266, 9240 & 9259	1.07 [.042]	6.47 [.255]	58425-1	-	-	9-221132-1	413657-8	9-413653-0	5413589-9
	RG-179/U, 179A/U, 179B/U, 187/U & 187A/U	1.07 [.042]	4.52 [.178]	58425-2	227194-2	222001-4	9-413658-0	413657-6	9-413653-1	5413589-8
	AT&T 734A	1.07 [.042]	6.47 [.255]	58425-1	-	-	9-221132-3	413657-8	9-413653-4	5413589-7
OBSOLETE	TIMES RG-59/U, DOUBLE BRAID, .270 OD JACKET	1.07 [.042]	8.23 [.324]	58425-3	-	-	9-221132-2	413657-2	9-413653-0	5413589-6
	BELDEN 8281, 9231 & AT&T 728 AND JIS 5C-2V	1.07 [.042]	8.23 [.324]	58425-3	-	-	9-221132-2	413657-8	9-413653-3	5413589-5
	BELDEN 8218 AND JIS 2.5C-2V	1.07 [.042]	4.52 [.178]	58425-2	-	-	9-221132-6	413657-4	9-413653-1	5413589-3
	RG-59/U, 59A/U & 59B/U	1.07 [.042]	6.48 [.255]	58425-1	-	-	9-221132-1	413657-2	9-413653-0	5413589-2
OBSOLETE	BELDEN 88241	1.07 [.042]	6.48 [.255]	58425-1	-	-	9-413658-3	413657-2	9-413653-0	5413589-1

FOR USE WITH CABLE	CONTACT CRIMP (SQUARE)	FERRULE CRIMP (HEX)	DIE SET △	⑤ TUBING, PLASTIC QTY=1	④ TUBING QTY=1	③ FERRULE QTY=1	② CONTACT QTY=1	① PLUG ASSY QTY=1	PART NUMBER
--------------------	------------------------	---------------------	-----------	-------------------------	----------------	-----------------	-----------------	-------------------	-------------

THIS DRAWING IS A CONTROLLED DOCUMENT.

DIMENSIONS: mm (INCHES)	TOLERANCES UNLESS OTHERWISE SPECIFIED:	DIN L VARELA - DOCKS 22APR2005	CHK J. HAVENER 22APR2005	APVD J. LIPPERT 22APR2005	NAME
0 PLC ± -	1 PLC ± -	2 PLC ± 0.41 [016]	3 PLC ± -	4 PLC ± -	ANGLES ± -
MATERIAL	FINISH	WEIGHT 0.000000	SIZE A1	CAGE CODE 00779	DRAWING NO. 5413589
CUSTOMER DRAWING		SCALE 8:1	SHEET 1 OF 1	REV B2	RESTRICTED TO

STE TE Connectivity

PLUG, 75 OHM, HEX CRIMP, BNC