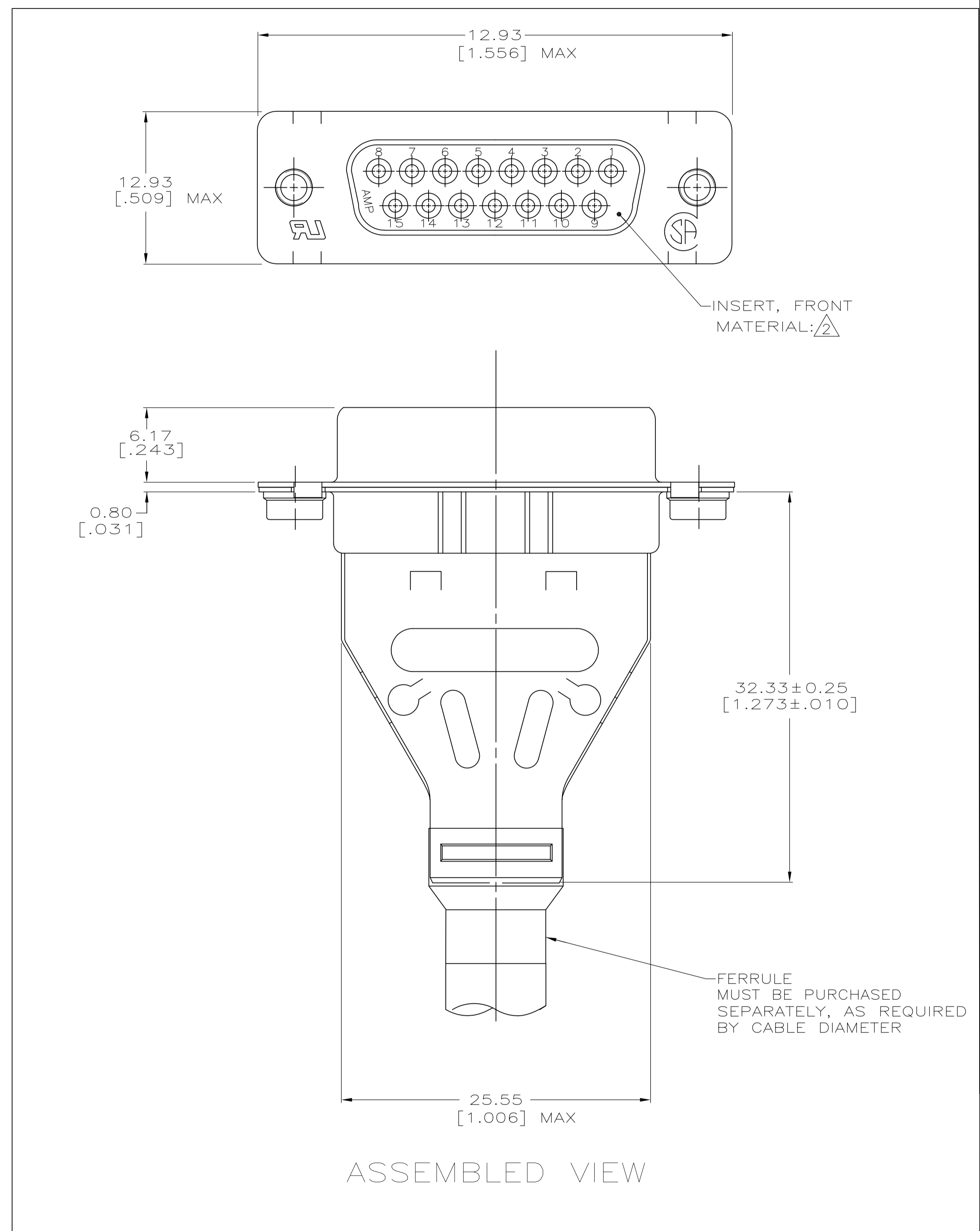
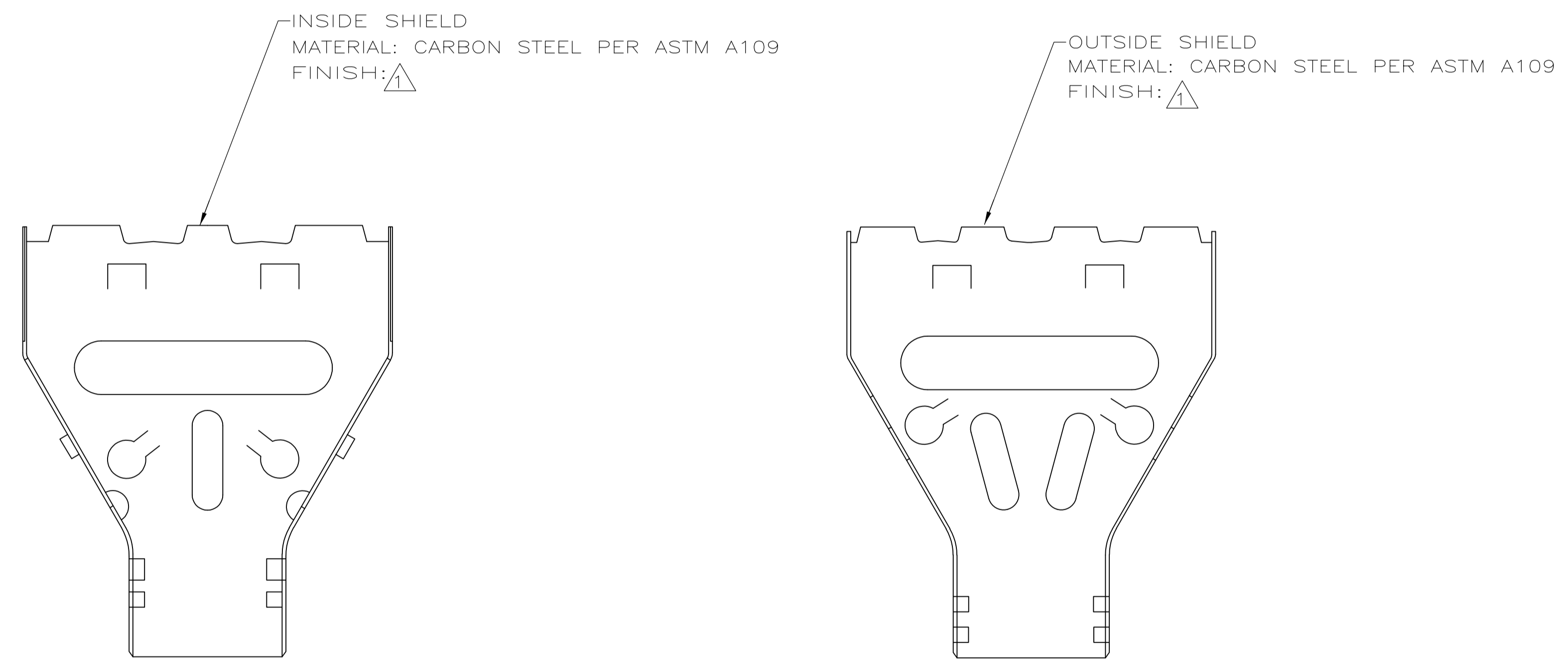
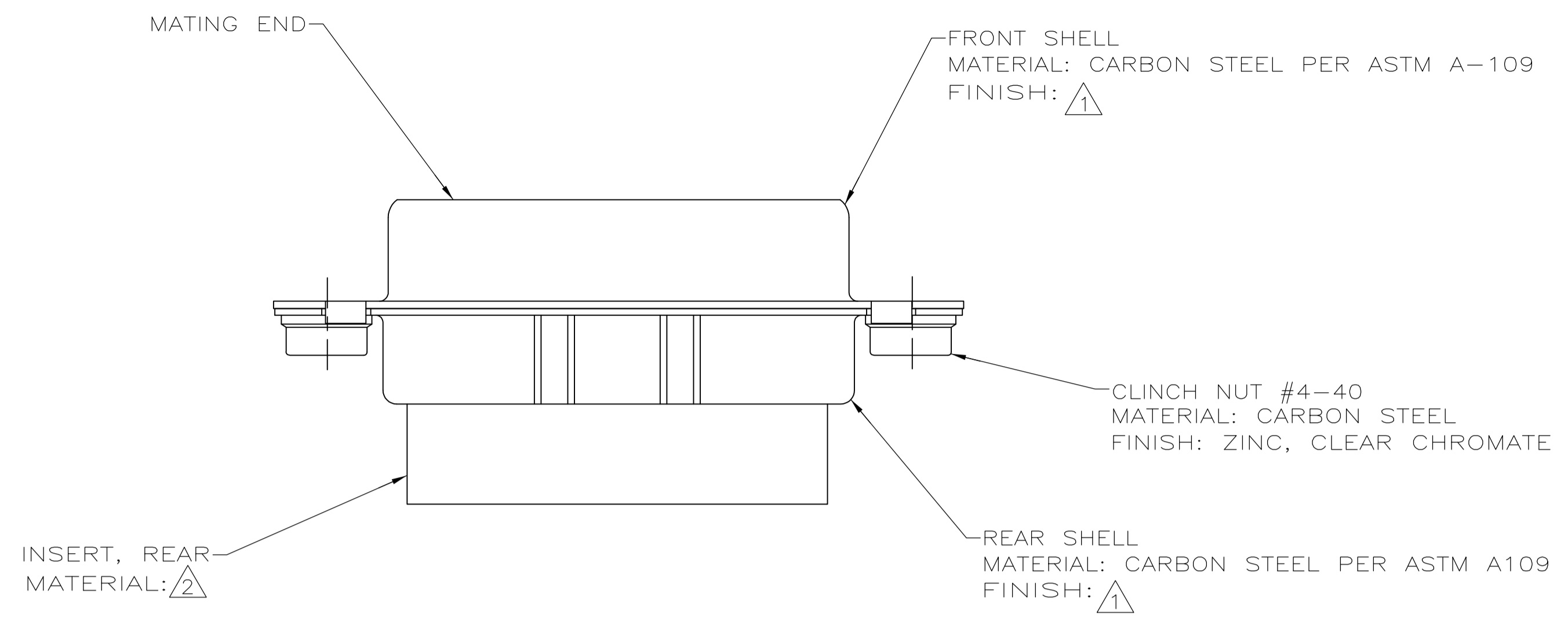


LOC		DIST		REVISIONS			
GP	00	REV	DATE	BY	CHK	APP	REV
A	REVISED PER	ECO-14-011808	12AUG2014	AP	SB		



- 1 5.08µm [.000200] MIN TIN OVER 2.54µm [.000100] MIN COPPER.
- 2 GLASS-FILLED PBT OR GLASS-FILLED NYLON, UL94V-0 RATED. COLOR: BLACK.

5787908-1
PART NO

THIS DRAWING IS A CONTROLLED DOCUMENT.		DIN G. ATTADIA - 11-12-04	STE TE Connectivity	
DIMENSIONS: mm [INCHES]		CHK J. GRACE 11-12-04	NAME M. WALMSLEY 11-12-04	
TOLERANCES UNLESS OTHERWISE SPECIFIED:		APVD	PRODUCT SPEC	
0. PLC ± -	1. PLC ± -	108-40005 & 108-40030		
2. PLC ± 0.13 [.005]	3. PLC ± -	APPLICATION SPEC		
4. PLC ± -	ANGLES ± -	114-40030		
MATERIAL SEE CALLOUTS	FINISH SEE CALLOUTS	WEIGHT	SIZE A1	RESTRICTED TO
		CUSTOMER DRAWING	SCALE 4:1	SHEET 1 OF 1 REV A