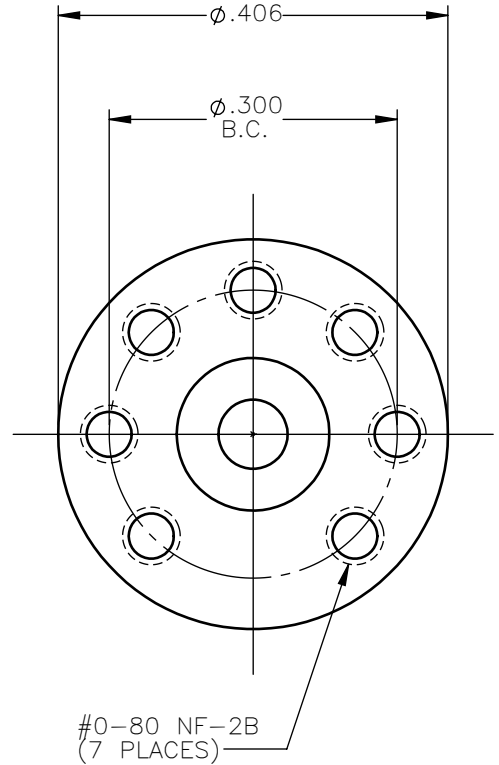
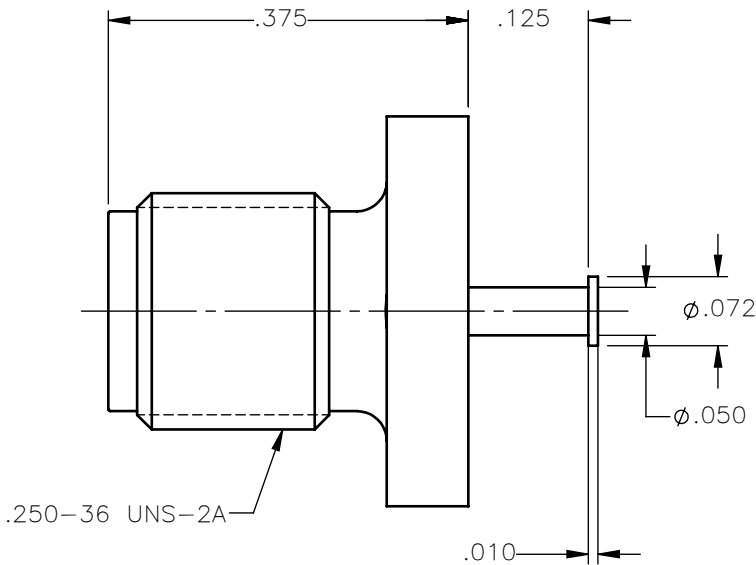


REVISIONS			
REV.	DESCRIPTION	DATE	APPROVED
A	INITIAL RELEASE	03/15/18	C.E.





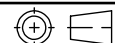
NOTES:

MATERIALS:

1. BODY = STAINLESS STEEL PER ASTM A582, ALLOY 303, CONDITION "A".
2. INSULATOR = VIRGIN WHITE TEFLON PER ASTM D1710, GRADE 1, TYPE I, CLASS "B".
3. CONTACT = BERYLLIUM COPPER PER ASTM B196, ALLOY C17300, TEMPER TD04.

FINISHES:

1. BODY = PASSIVATE PER SAE-AMS-2700
2. CONTACT = GOLD PLATE PER ASTM B488-11, TYPE II, 50 μ in MIN, GRADE C, OVER 100 TO 200 μ in STRESS FREE SULFAMATE NICKEL PER AMS-QQ-N-290.

UNLESS OTHERWISE SPECIFIED DIMENSIONS ARE IN INCHES TOLERANCES ON	DWN: C.E.	DATE 03/15/18	 Property of Radiall This document cannot be reproduced or communicated to a third party without prior written permission of RADIALL.		
	CHKD: D.N.	DATE 03/15/18			
DECIMAL	ANGLE	APVD: J.M.	DATE 03/15/18	SMA STRAIGHT JACK TO STRIPLINE NON-CAPTIVE CONTACT	
REFERENCE:	MATERIALS & FINISHES:	SIZE A	FSCM NO. 19505		DWG NO. 9610-9213-003
ORIGINATED: C.E. DATE: 03/15/18	SEE NOTES	SCALE 5:1	THIRD ANGLE PROJECTION		SHEET 1 OF 1

9610-9213-003