
Product Change Notification (PCN)

Issue Date: **4/24/2014**
Modification/Revision Date: **4/24/2014**

Modular Jack - Low Profile, 8P8C, 90°, 6μ"

Change Notification: **PCN-US-20140411 A-20042/LP**

Description of changes: **Change of Production Location
Change to New Tools
Change of Part Number**

- 1. Amendment of the specification**
- 2. Change of Dimensions, see sheet 3**
- 3. New part number A-20042/LP replaces old part number A-2004-2-4-LP-N-R**
- 4. Drawing # ASS_2729_COrev03 replaces all prior drawings**

INVENTORY ACTION
Inventories at ASSMANN WSW will be shipped per our standard shipping algorithm. Customers may receive either part number through transition until the old part number is consumed.

Date of change and Implementation: **Change: 4/24/2014**

Key Characteristics of Change: **Change of production location**

Products Affected: **A-2004-2-4-LP-N-R**

Reason for Change: **Change of production location
Change to new tools**

Response: **No response to this notification is required.**

Product Change Notification (PCN)

Issue Date: 4/24/2014
Modification/Revision Date: 4/24/2014

Reference Documents / Attachments:

Document: Drawing

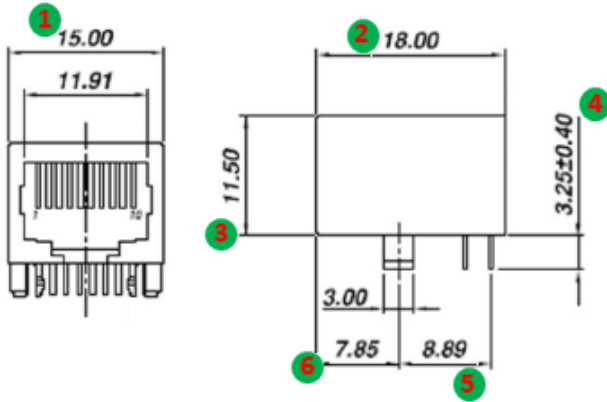
Previous part number	New part number	Drawing number
A-2004-2-4-LP-N-R	A-20042/LP	ASS_2729_COrev03

As attached

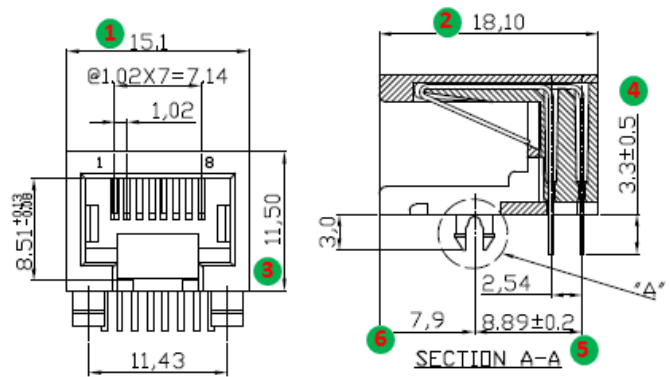
Product Change Notification (PCN)

Issue Date: 04/24/2014
Modification/Revision Date: 04/24/2014

A-2004-2-4-LP-N-R
Old version



A-20042/LP
New Version



A	1	2	3	4	5	6	7	A																
B								B																
C								C																
D	<p>ELECTRICAL</p> <ol style="list-style-type: none"> VOLTAGE RATING : 125 VAC. CURRENT RATING : 15 AMP. CONTACT RESISTANCE : 35 MILLIOHMS MAX. INSULATION RESISTANCE : 1000 MEGOHMS MIN. @ 500 VDC. DIELECTRIC STRENGTH : 1000 VAC 60HZ, 1MIN. <p>MECHANICAL</p> <ol style="list-style-type: none"> HOLDING MATERIAL : HIGH TEMP UL94V-0. CONTACT MATERIAL : PHOSPHOR BRONZE ±0.35mm. PLATING : 60µ GOLD PLATING OVER NICKEL. OPERATING LIFE : 750 CYCLES MIN. PCB RETENTION PRE-SOLDER : 1 LB MIN. PCB RETENTION POST-SOLDER : 10 LBS MIN. <p>ENVIRONMENTAL</p> <ol style="list-style-type: none"> STORAGE : -40°C TO +85°C. OPERATION : -40°C TO +85°C. <p>① MATE WITH MODULAR PLUG CONFORMING TO FCC PART 68, SUBPART F.</p>							D																
E	<p>RoHS compliant</p> <table border="1"> <thead> <tr> <th>Scale</th> <th>1:1</th> </tr> </thead> <tbody> <tr> <td>TOLERANCE</td> <td></td> </tr> <tr> <td>X</td> <td>±0.20</td> </tr> <tr> <td>XX</td> <td>±0.15</td> </tr> <tr> <td>XXX</td> <td>±0.10</td> </tr> <tr> <td>DIM TOL</td> <td></td> </tr> <tr> <td>Angle</td> <td>±5°</td> </tr> </tbody> </table>							Scale	1:1	TOLERANCE		X	±0.20	XX	±0.15	XXX	±0.10	DIM TOL		Angle	±5°	E		
Scale	1:1																							
TOLERANCE																								
X	±0.20																							
XX	±0.15																							
XXX	±0.10																							
DIM TOL																								
Angle	±5°																							
F	<table border="1"> <thead> <tr> <th>Id.</th> <th>Modification</th> <th>Date</th> <th>Name</th> </tr> </thead> <tbody> <tr> <td>①</td> <td>Drawn</td> <td>25.08.2008</td> <td>N.Schultz</td> </tr> <tr> <td>②</td> <td>Detail A added</td> <td>15.08.2008</td> <td>N.Schultz</td> </tr> <tr> <td>③</td> <td>Update</td> <td>02.07.2008</td> <td>Dein</td> </tr> </tbody> </table>							Id.	Modification	Date	Name	①	Drawn	25.08.2008	N.Schultz	②	Detail A added	15.08.2008	N.Schultz	③	Update	02.07.2008	Dein	F
Id.	Modification	Date	Name																					
①	Drawn	25.08.2008	N.Schultz																					
②	Detail A added	15.08.2008	N.Schultz																					
③	Update	02.07.2008	Dein																					
G	<table border="1"> <thead> <tr> <th>Date</th> <th>Name</th> <th>Customer-Id.</th> </tr> </thead> <tbody> <tr> <td>Drawn 12.05.2008</td> <td>N.Schultz</td> <td>ASSMANN WSWA-Id. A-20042/LP</td> </tr> <tr> <td>Approved 02.07.2008</td> <td>Helmig</td> <td></td> </tr> </tbody> </table>							Date	Name	Customer-Id.	Drawn 12.05.2008	N.Schultz	ASSMANN WSWA-Id. A-20042/LP	Approved 02.07.2008	Helmig		G							
Date	Name	Customer-Id.																						
Drawn 12.05.2008	N.Schultz	ASSMANN WSWA-Id. A-20042/LP																						
Approved 02.07.2008	Helmig																							
H	<table border="1"> <thead> <tr> <th>1</th> <th>2</th> <th>3</th> <th>4</th> <th>5</th> <th>6</th> <th>7</th> </tr> </thead> <tbody> <tr> <td></td> <td></td> <td></td> <td></td> <td></td> <td></td> <td></td> </tr> </tbody> </table> <p>ASSMANN WSW components</p> <p>ASS 2729 CO rev03</p> <p>ASSMANN WSWA-Id. A-20042/LP</p> <p>ASS 2729 CO rev03</p> <p>SHEET</p>							1	2	3	4	5	6	7								H		
1	2	3	4	5	6	7																		