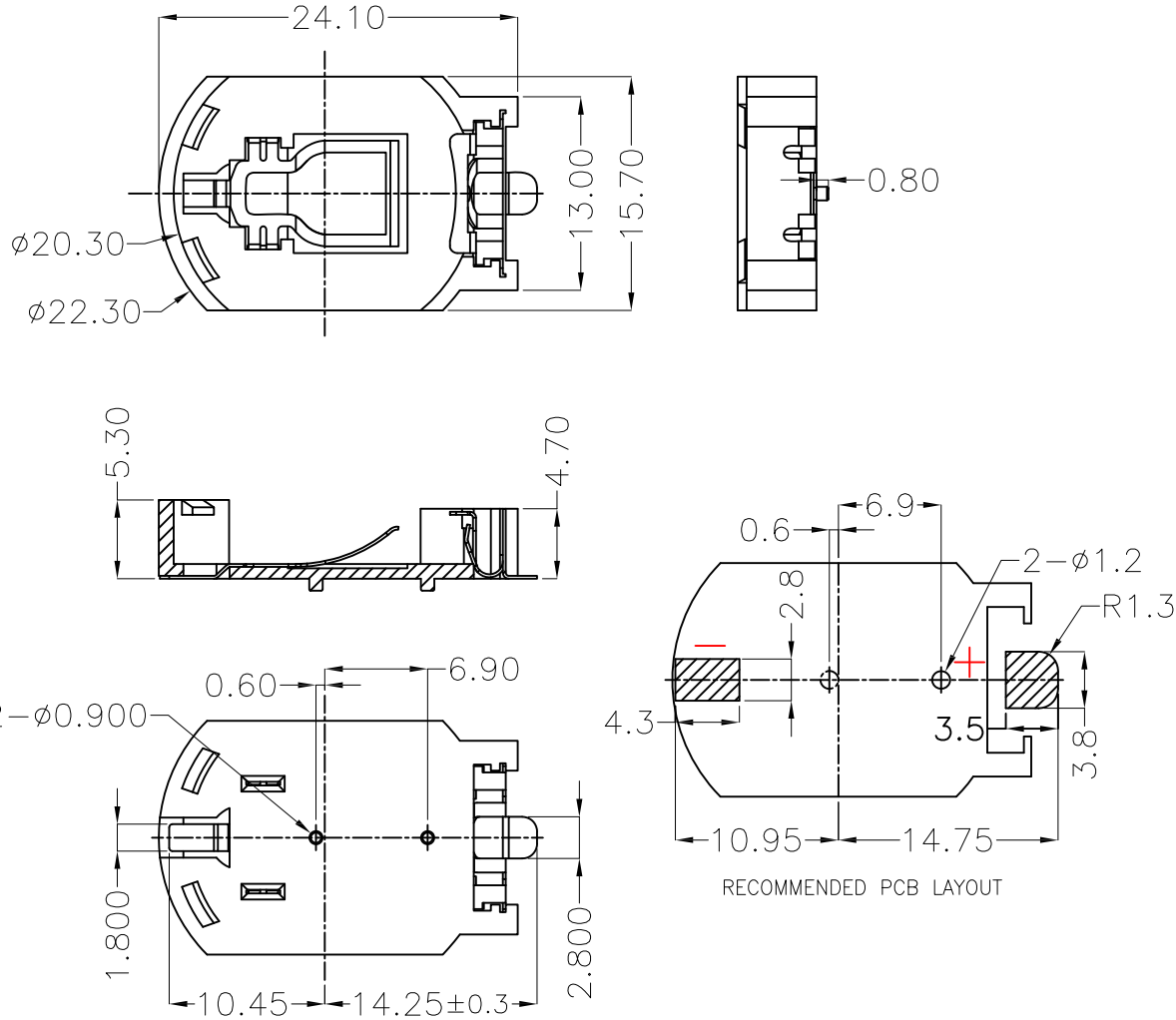


APPROVED: \_\_\_\_\_  
 DATE: \_\_\_\_\_ TITLE: \_\_\_\_\_

Rev	AWO #	Description	Date	Appr
-		RELEASED	3/19/20	
A		UPDATE DRAWING	4/6/21	LH/RC



**SPECIFICATIONS:**

Material:  
 Housing: (PPA) Hi-temp thermoplastic, Color: Brown  
 Contact: Phosphor Bronze, Gold plated  
 Electrical:  
 Contact resistance: 30 mohms max  
 Insulation resistance: 1,000 Megaohms ohms min  
 Dielectric Voltage: 500 VAC one sec level  
 Temperature Rating:  
 Operating temperature: -25°C to +85°C  
 Environmental:  
 Lead free, RoHS compliant



UNLESS OTHERWISE SPECIFIED ALL DIMENSIONS ARE MILLIMETERS. TOLERANCES: EXCEPT AS NOTED		
MM	ANGLE	
X ± 0.30	X ± 1°	
X.X ± 0.25	X.X ± 0.5°	
X.XX ± 0.20		
X.XXX ± 0.10		
DRAWN	LH	3/19/20
CHECKED	MY	3/19/20
APPROVED		
THIS DRAWING CONTAINS INFORMATION THAT IS PROPRIETARY AND SHOULD NOT BE USED WITHOUT PRIOR WRITTEN PERMISSION FROM ADAM TECH		

<b>ADAM TECH</b>		909 Rahway Avenue, Union, NJ 07083 Phone: 908-687-5000 Fax: 908-687-5710	
TITLE: BATTERY HOLDER, SURFACE MOUNT, FOR CR2032, W/PEG, BROWN COLOR			
SIZE X	PART NO. BH-74G-5-P	REV. A	
REF: S00136C	SCALE: NTS	SHEET 1 OF 1	