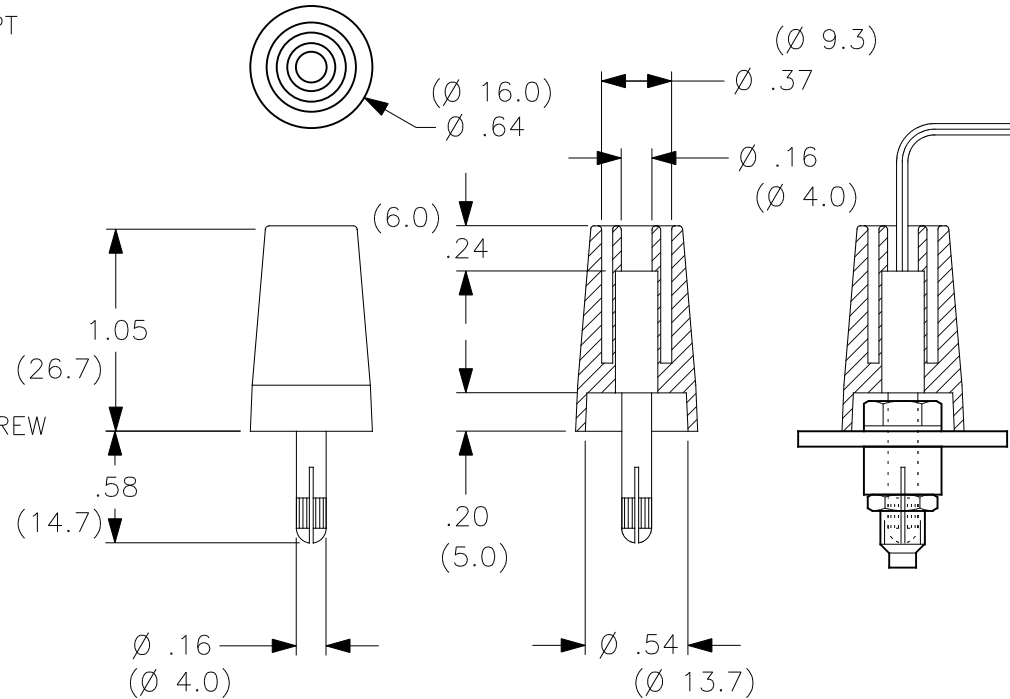


THIS IS ISSUED IN STRICT CONFIDENCE THAT IT IS NOT USED AS A BASIS FOR MANUFACTURE OR SALE AND THAT IT IS NOT COPIED, REPRINTED OR DISCLOSED TO A THIRD PARTY EITHER WHOLLY OR IN PART WITHOUT THE PRIOR WRITTEN CONSENT OF CAL TEST ELECTRONICS, INC.

REVISIONS			
REV.	DESCRIPTIONS	DATE	APPROVED
—	CLASS A RELEASED	7/12/99	

- 4mm EXTENDED SAFETY ADAPTER.
APPLICATION: CONVERTS STANDARD 4mm JACK TO ACCEPT SHEATH BANANA PLUGS. UPGRADES JACK TO IEC SAFETY SPECIFICATIONS.
- SPECIFICATIONS:
INSULATOR: POLYACETAL
CONTACT: BRASS, NICKEL PLATED
SET SCREW: STEEL
- RATING:
VOLTAGE: 1000 V CAT I P2 (IEC 61010-031)
CURRENT: 36 A MAX.
RESISTANCE: <5 mΩ.
TEMPERATURE: -20° C TO +80° C.
- INSERT ADAPTER INTO SOCKET, TIGHTEN INTERNAL SET SCREW WITH 1.5 mm ALLEN WRENCH SUPPLIED SPERATELY (CT2919).



PART NUMBER

CT2247-#

- COLOR:
- 0 — BLACK
 - 2 — RED
 - 4 — YELLOW
 - 5 — GREEN
 - 6 — BLUE
 - 9 — WHITE

Assembly Instructions:

- Insert Safety Adapter in 4mm Banana Plug Socket. (Reference CT2228-#)
- Tighten internal Set-Screw using 1.5mm Allen Wrench (Cal Test P/N 2919).

THIRD ANGLE PROJECTION		UNLESS OTHERWISE SPECIFIED DIMENSIONS ARE IN INCHES TOLERANCES ARE: FRACTIONS DECIMALS $\pm 1/32$.XX $\pm .02$.XXX $\pm .005$ DO NOT SCALE DRAWING	CONTRACT NO.		Cal Test Electronics 22820 Savi Ranch Parkway Yorba Linda, CA 92887-4610 4mm EXTENDED SAFETY SOCKET ADAPTER			
			APPROVALS	DATE				
NEXT ASSY		MATERIAL	DRAWN	7/12/99	SIZE	CAGE CODE	DWG. NO.	REV.
USED ON		FINISH	CHECKED		A	43F45	P224700	—
APPLICATION		ENGR.	DESIGN ACTIVITY		SCALE	1:1	SHEET	1 OF 1