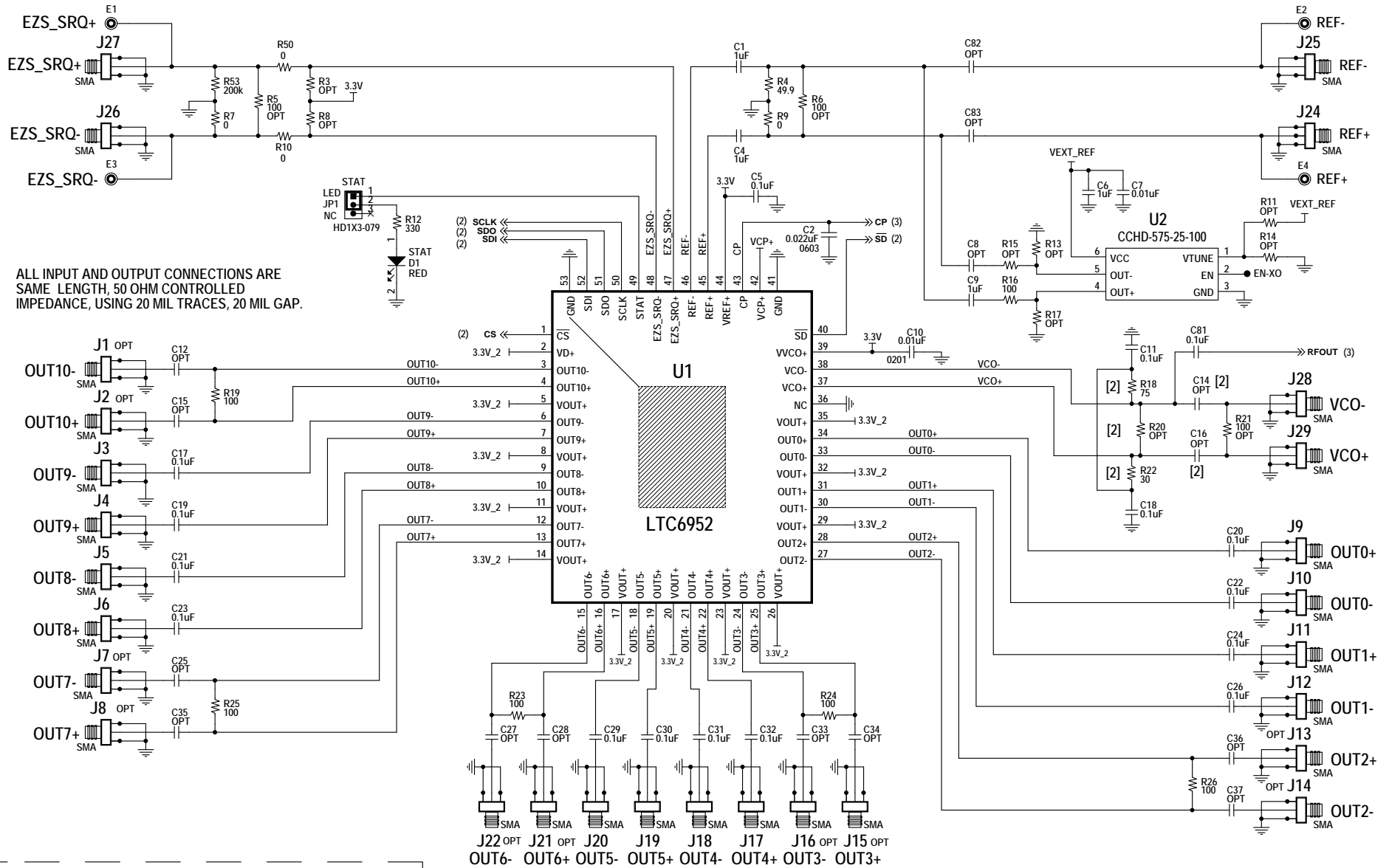
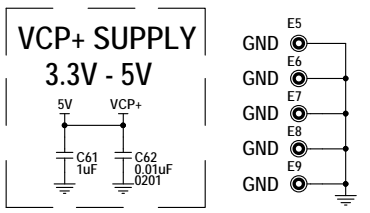
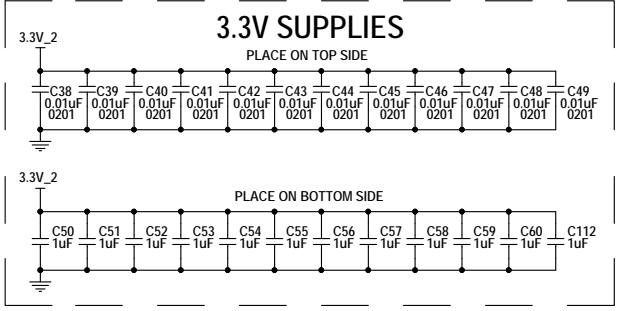


REVISION HISTORY				
ECO	REV	DESCRIPTION	APPROVED	DATE
-	2	PRODUCTION	CHRIS P.	07-13-17

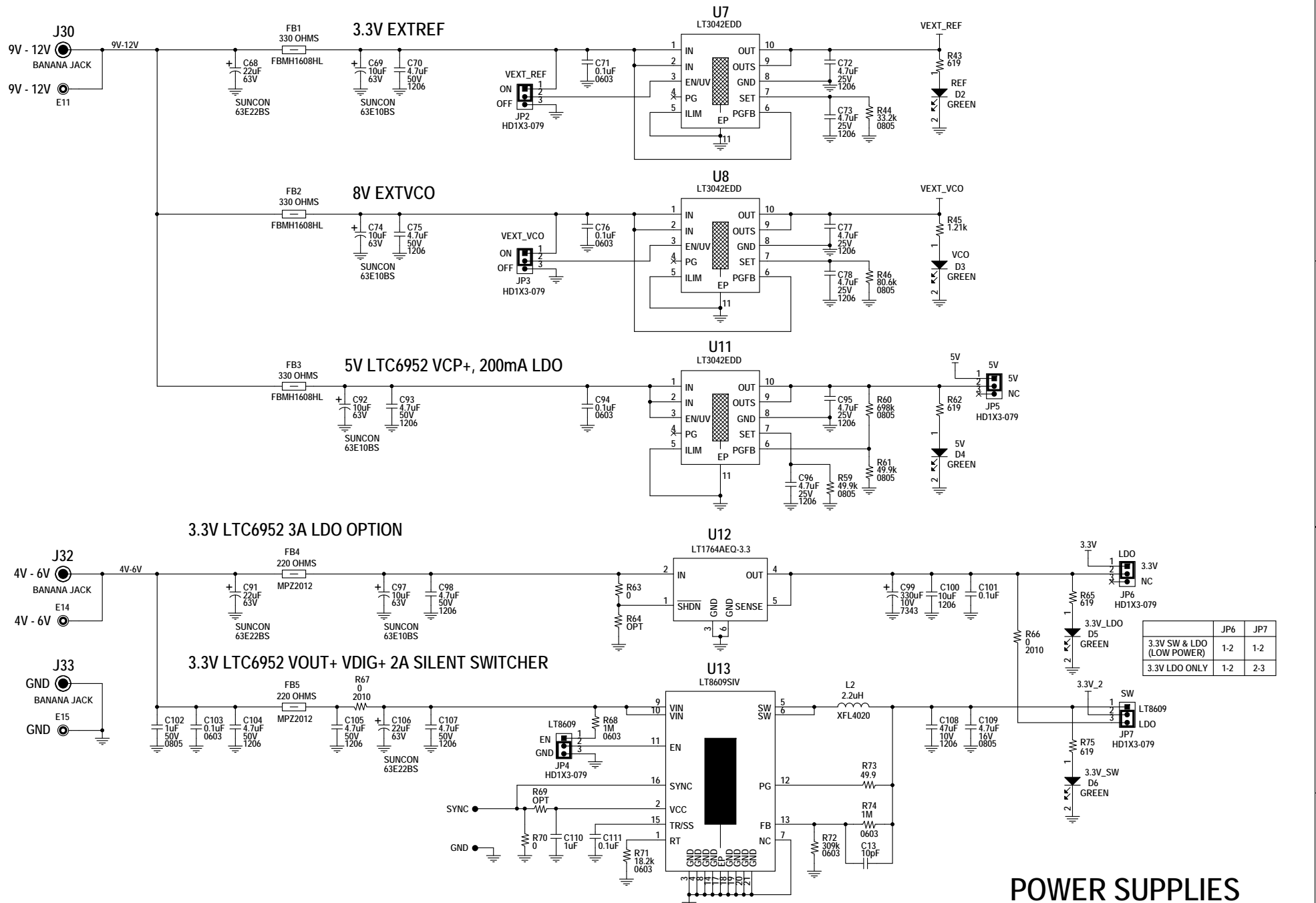


ALL INPUT AND OUTPUT CONNECTIONS ARE SAME LENGTH, 50 OHM CONTROLLED IMPEDANCE, USING 20 MIL TRACES, 20 MIL GAP.



NOTES: UNLESS OTHERWISE SPECIFIED
 1. ALL RESISTORS AND CAPACITORS ARE 0402.
 [2]. REFER TO DEMO MANUAL.

CUSTOMER NOTICE		APPROVALS			1630 McCarthy Blvd. Milpitas, CA 95035 Phone: (408)432-1900 www.linear.com Fax: (408)434-0507 LTC Confidential-For Customer Use Only	
LINEAR TECHNOLOGY HAS MADE A BEST EFFORT TO DESIGN A CIRCUIT THAT MEETS CUSTOMER-SUPPLIED SPECIFICATIONS; HOWEVER, IT REMAINS THE CUSTOMER'S RESPONSIBILITY TO VERIFY PROPER AND RELIABLE OPERATION IN THE ACTUAL APPLICATION. COMPONENT SUBSTITUTION AND PRINTED CIRCUIT BOARD LAYOUT MAY SIGNIFICANTLY AFFECT CIRCUIT PERFORMANCE OR RELIABILITY. CONTACT LINEAR TECHNOLOGY APPLICATIONS ENGINEERING FOR ASSISTANCE.		PCB DES. KIM T. APP ENG. CHRIS P.	TITLE: SCHEMATIC ULTRALOW JITTER PLL WITH ELEVEN PROGRAMMABLE OUTPUTS AND JESD204B SUPPORT		SIZE N/A IC NO. LTC6952IUQG DEMO CIRCUIT 2609A	REV. 2
THIS CIRCUIT IS PROPRIETARY TO LINEAR TECHNOLOGY AND SUPPLIED FOR USE WITH LINEAR TECHNOLOGY PARTS.		SCALE = NONE	DATE: Thursday, July 13, 2017	SHEET 1 OF 4		

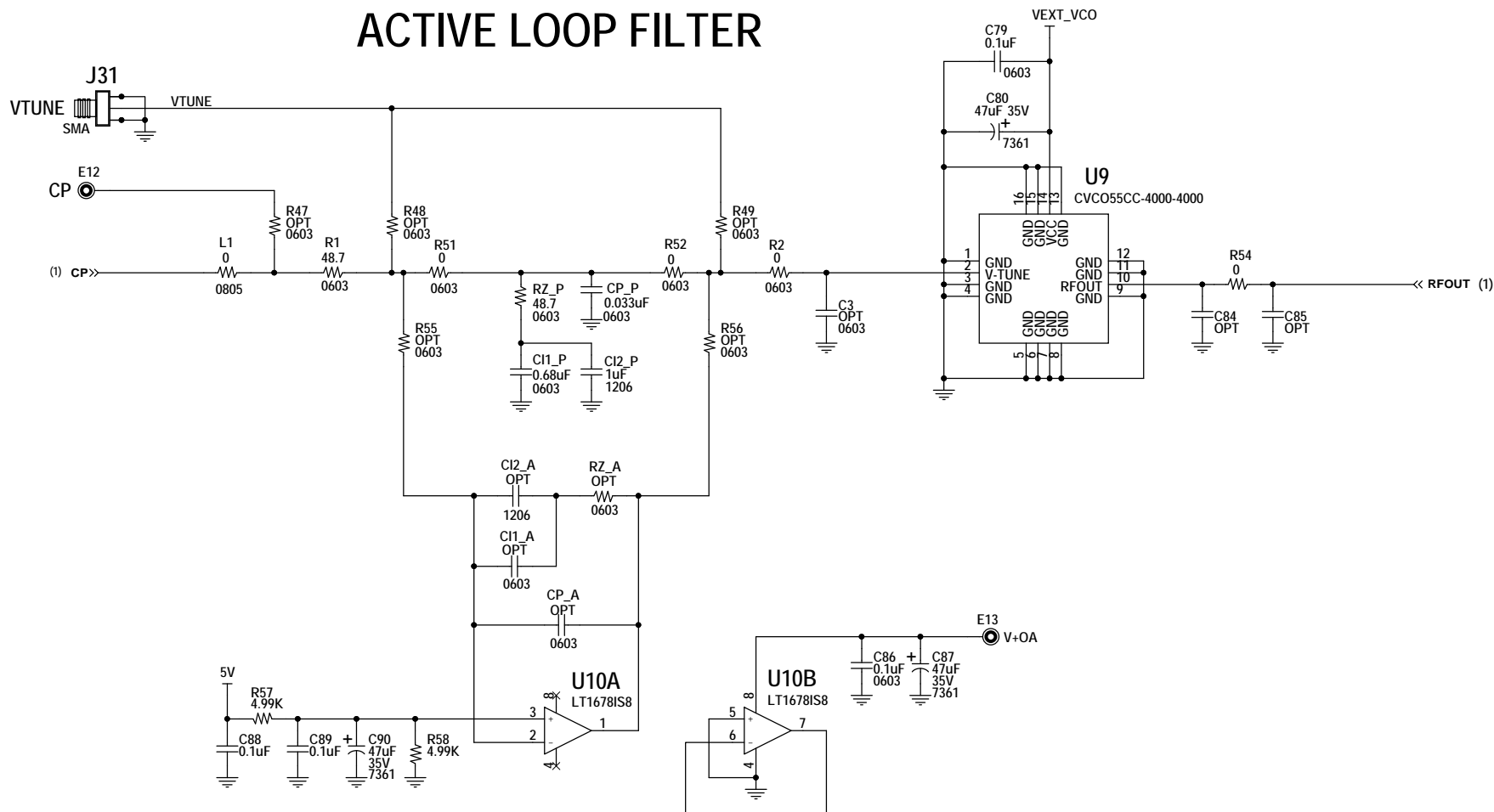



	JP6	JP7
3.3V SW & LDO (LOW POWER)	1-2	1-2
3.3V LDO ONLY	1-2	2-3

POWER SUPPLIES

<p>CUSTOMER NOTICE LINEAR TECHNOLOGY HAS MADE A BEST EFFORT TO DESIGN A CIRCUIT THAT MEETS CUSTOMER-SUPPLIED SPECIFICATIONS; HOWEVER, IT REMAINS THE CUSTOMER'S RESPONSIBILITY TO VERIFY PROPER AND RELIABLE OPERATION IN THE ACTUAL APPLICATION. COMPONENT SUBSTITUTION AND PRINTED CIRCUIT BOARD LAYOUT MAY SIGNIFICANTLY AFFECT CIRCUIT PERFORMANCE OR RELIABILITY. CONTACT LINEAR TECHNOLOGY APPLICATIONS ENGINEERING FOR ASSISTANCE.</p>		<p>APPROVALS</p> <p>PCB DES. KIM T. APP ENG. CHRIS P.</p>		<p>1630 McCarthy Blvd. Milpitas, CA 95035 Phone: (408)432-1900 www.linear.com Fax: (408)434-0507 LTC Confidential-For Customer Use Only</p>	
<p>THIS CIRCUIT IS PROPRIETARY TO LINEAR TECHNOLOGY AND SUPPLIED FOR USE WITH LINEAR TECHNOLOGY PARTS.</p>		<p>SCALE = NONE</p>		<p>LINEAR TECHNOLOGY</p>	
<p>TITLE: SCHEMATIC ULTRALOW JITTER PLL WITH ELEVEN PROGRAMMABLE OUTPUTS AND JESD204B SUPPORT</p>		<p>SIZE N/A IC NO. LTC6952IUQG</p>		<p>REV. 2</p>	
<p>DATE: Thursday, July 13, 2017</p>		<p>SHEET 3 OF 4</p>		<p>DATE: Thursday, July 13, 2017</p>	

ACTIVE LOOP FILTER



CUSTOMER NOTICE		APPROVALS		 1630 McCarthy Blvd. Milpitas, CA 95035 Phone: (408)432-1900 www.linear.com Fax: (408)434-0507 LTC Confidential-For Customer Use Only	
LINEAR TECHNOLOGY HAS MADE A BEST EFFORT TO DESIGN A CIRCUIT THAT MEETS CUSTOMER-SUPPLIED SPECIFICATIONS; HOWEVER, IT REMAINS THE CUSTOMER'S RESPONSIBILITY TO VERIFY PROPER AND RELIABLE OPERATION IN THE ACTUAL APPLICATION. COMPONENT SUBSTITUTION AND PRINTED CIRCUIT BOARD LAYOUT MAY SIGNIFICANTLY AFFECT CIRCUIT PERFORMANCE OR RELIABILITY. CONTACT LINEAR TECHNOLOGY APPLICATIONS ENGINEERING FOR ASSISTANCE.		PCB DES.	KIM T.		
		APP ENG.	CHRIS P.	ULTRALOW JITTER PLL WITH ELEVEN PROGRAMMABLE OUTPUTS AND JESD204B SUPPORT	
		SIZE	IC NO.	LTC6952IUKG	
		N/A		DEMO CIRCUIT 2609A	
THIS CIRCUIT IS PROPRIETARY TO LINEAR TECHNOLOGY AND SUPPLIED FOR USE WITH LINEAR TECHNOLOGY PARTS.		SCALE = NONE	DATE:	Thursday, July 13, 2017	REV. 2
				SHEET 4	OF 4