

D

C

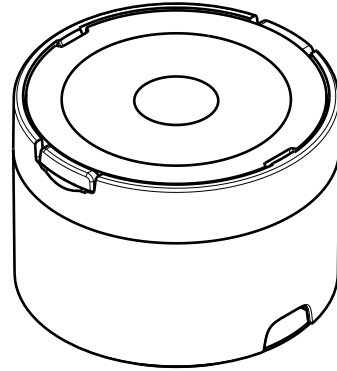
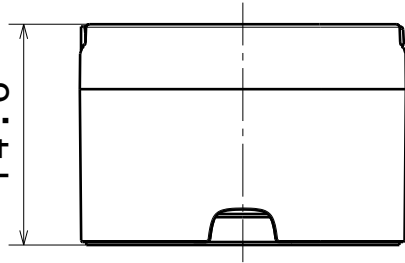
B

A

4

4

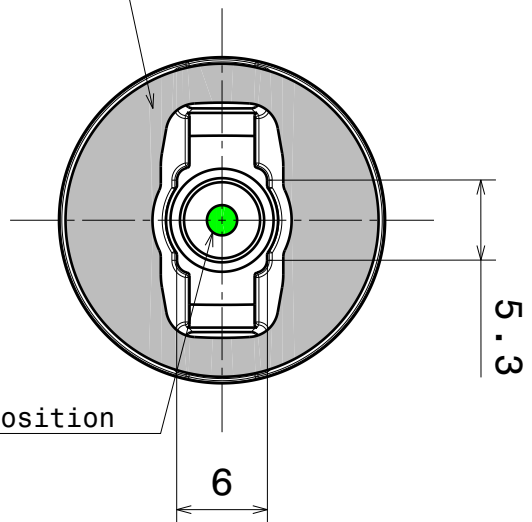
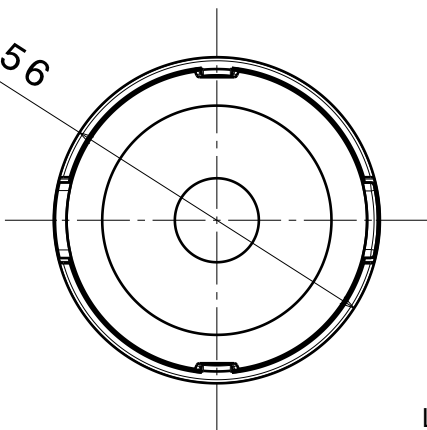
14.6



3

3

PU foam tape 0.4mm

 $\varnothing 21.56$


LED middle position

5.3

6

2

2

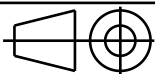
INDEX	PART NO	DESCRIPTION	MATERIAL	COLOUR
2	F12185	L0-LH1-TAPE-WHT	PC Lexan 123R	white
3	F10465	L02-RS	PMMA 8N	

Tolerances if not otherwise shown
According to DIN ISO 2768-1
Linear measures:
up to 30mm class M, otherwise class C
According to DIN ISO 2768-2
Form and position: class L

LEDiL

Ledil Oy
Salorankatu 10
FIN 24240 SALO
Finland

THIRD ANGLE PROJECTION:



DRAWING TITLE

FA12187_L02-RS

This drawing is the property
of LEDiL Oy. It may not be
reproduced, copied or
communicated without a written
agreement with LEDiL Oy.

SIZE PART NUMBER

A4

FA12187

SCALE

1:1

WEIGHT

4,3 g

SHEET

1/1

1

1

D

A