

E-15: Validé

### Connector coding

Basic type	JMX	FH	1	X	XX	X	X	U	D	X	X	X
Shell type	FH Plug IP68											
Shell size												
Keying	G, A, B, C, D, E											
Contact layout	SEE INSULATOR DRAWING											
Contact type	M (Male), F (Female)											
Contact style	S (solder), C (Crimp)											
Material	(U) PEI_ULTEM											
Standard collet												
Back nut	S (standard, cable gland), M (boot), O (overmolded)											
Connector color coding	See color/keying table											
Packaging	Nothing : single packaging, B(Bulk) : 100pcs											

### Connector color coding

POSITION	Color	Color Code	Color Code
G	No color	-	U
A	Blue	○	A
B	Red	○	R
C	Green	○	V
D	Orange	○	O
E	Yellow	○	J

**ELECTRICAL:**  
 INSULATION RESISTANCE : >500MΩ PER ANSI-EIA-364-D METHOD 21  
 MAX. CURRENT RATING : SEE INSULATOR DRAWING  
 CONNECTOR TESTING VOLTAGE : SEE INSULATOR DRAWING  
 CONNECTOR WORKING VOLTAGE : SEE INSULATOR DRAWING

**PHYSICAL:**  
 MAXIMUM WIRE SIZE USED : SEE INSULATOR DRAWING  
 CABLE DIAMETER : 3.5mm MIN. TO 7.5mm MAX.

**ENVIRONMENTAL:**  
 ENDURANCE : 2000 MATING CYCLES AS PER IEC 60512-5 test 9a  
 SHOCK : Dropping height 750 mm [29.53] per IEC 60512 test 7b

**PROTECTION INDEX:**  
 IP 68 AS PER IEC 60529 (IBAR DURING 1 WEEK)  
 In mated condition  
 IP 50 In unmated condition

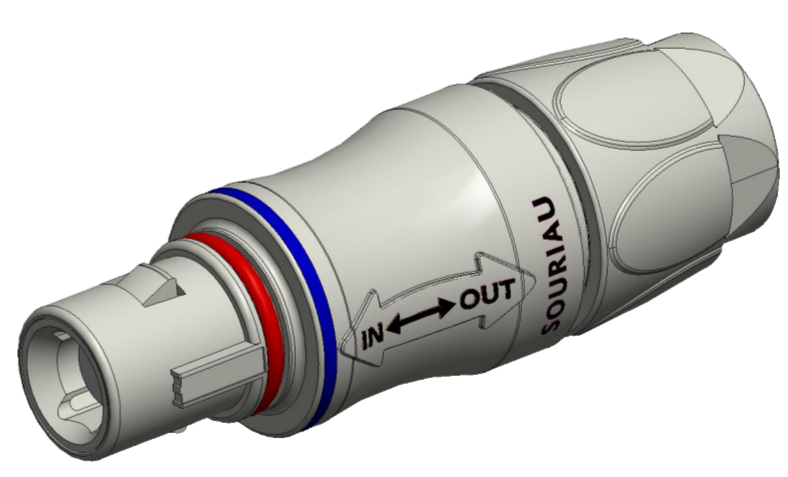
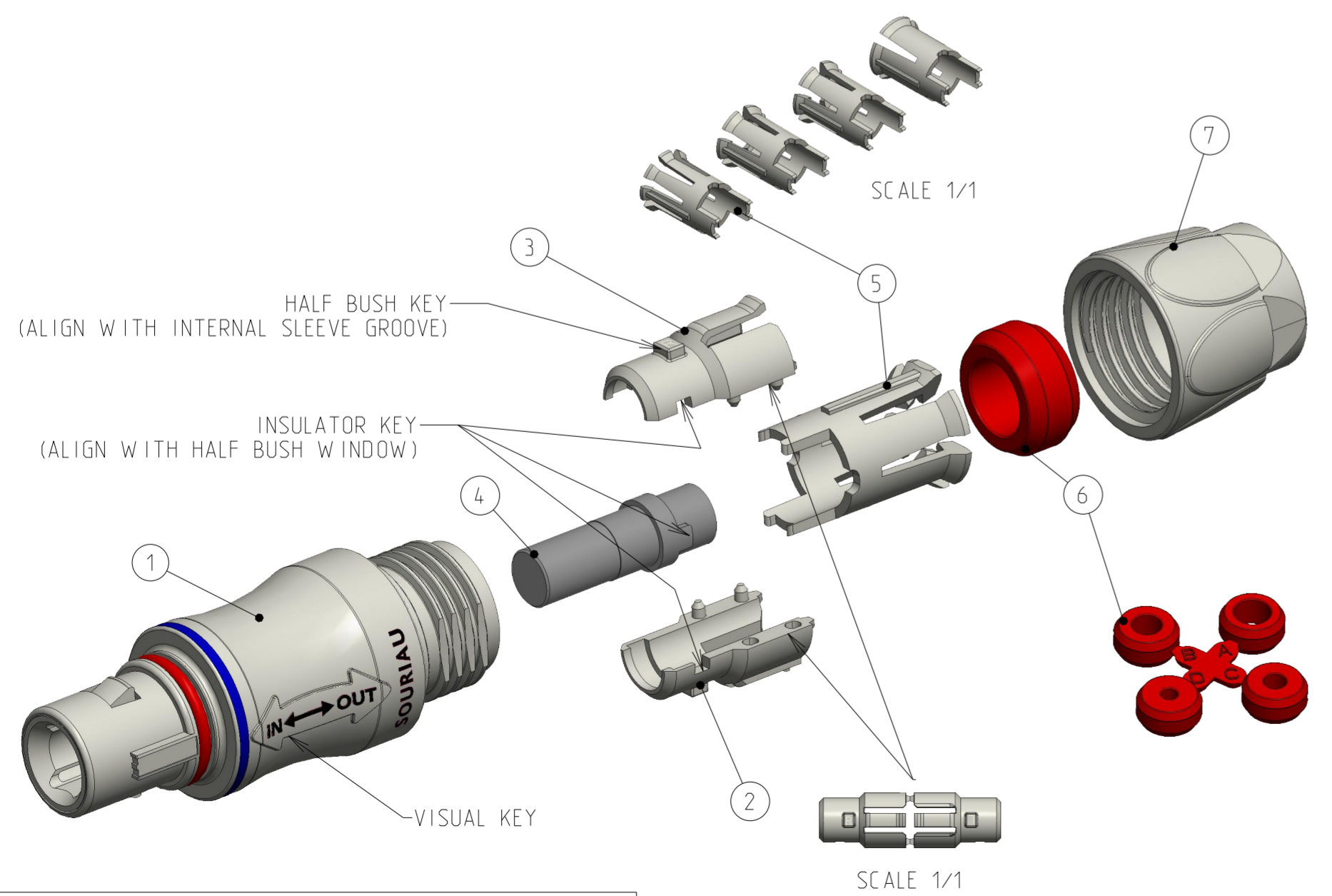
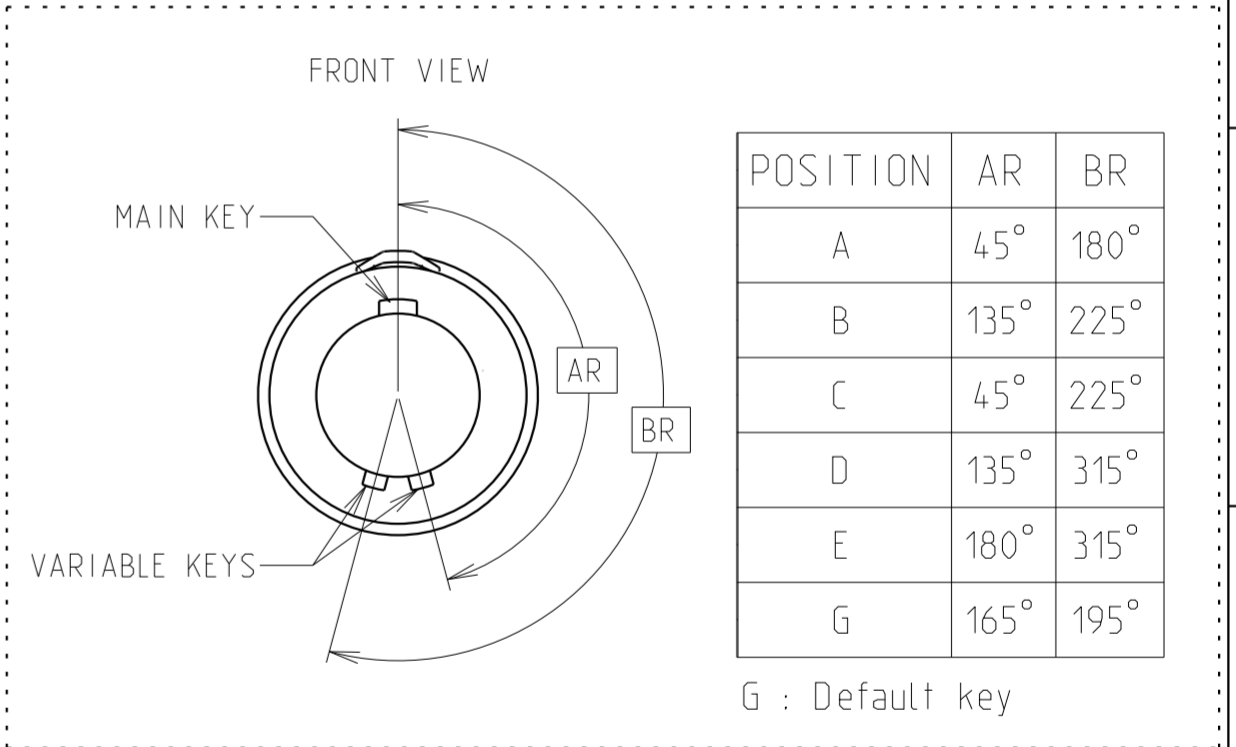
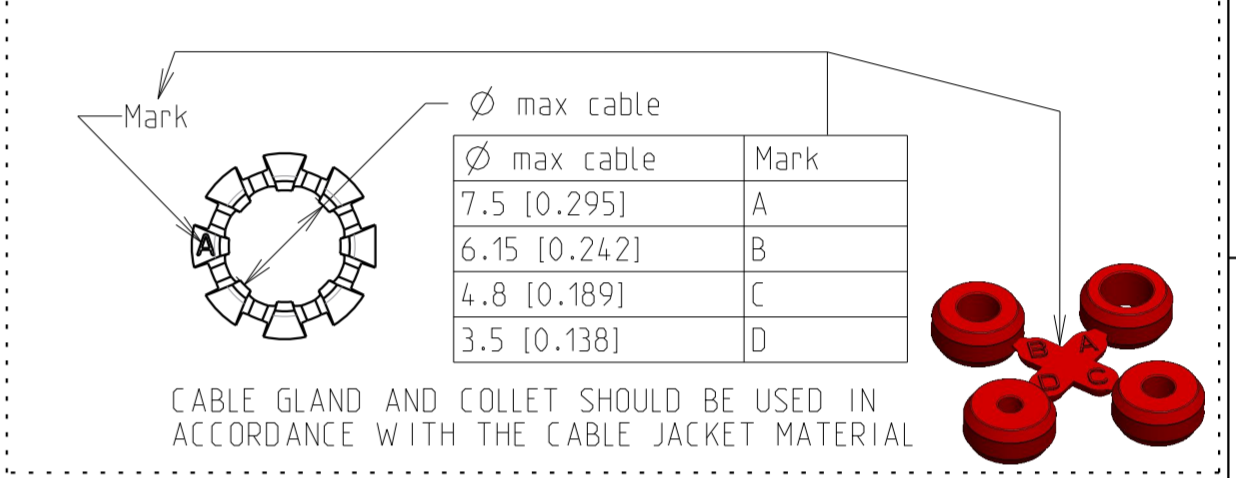
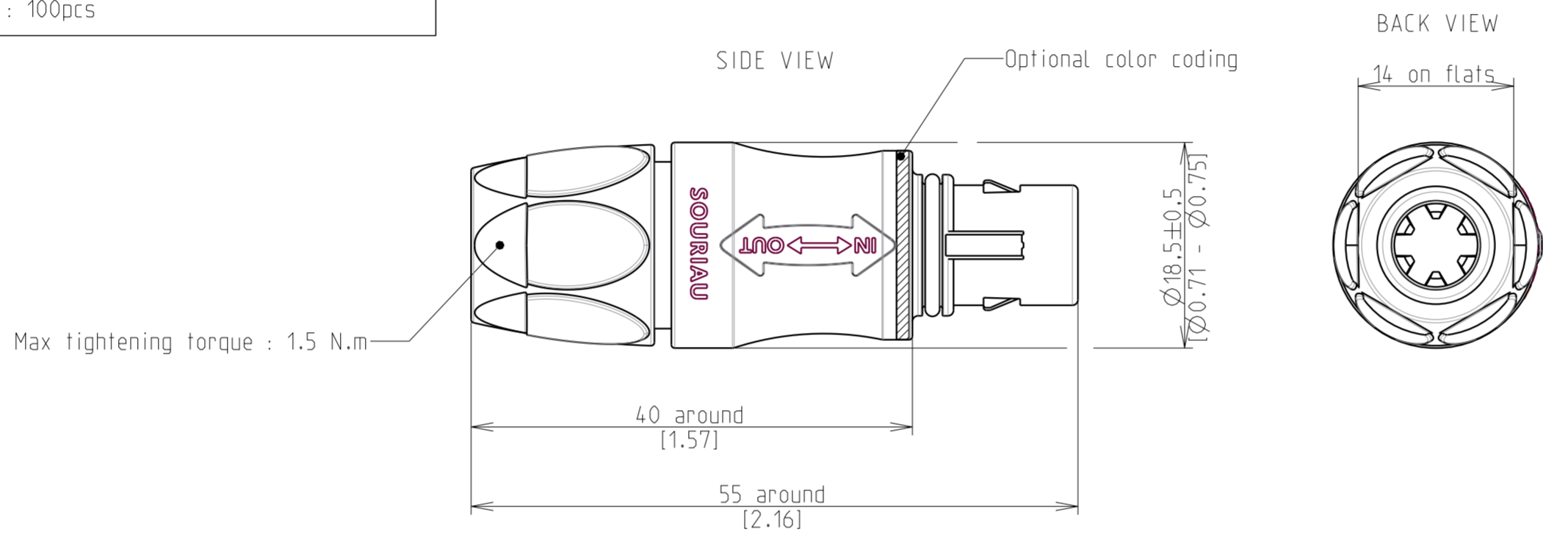
**ROHS & REACH COMPLIANT**  
 OPERATING TEMPERATURE : -40°C +125°C (-40°F +257°F)  
 200 CYCLES AS ISO 17665-1 (Short term +134°C / 273.2°F)

**BIOCOMPATIBILITY:** ALL SHELL PEI\_ULTEM PARTS to USP Class VI / ISO 10993



Contact style	Layout	Contact size	ØI	C
S (Solder)	10, 12	0.5	-	2 [0.079]
	06, 07, 08	0.7	-	3 [0.118]
	04, 05	0.9	-	3 [0.118]
C (Crimp)	02, 03	1.3	-	3.5 [0.138]
	06, 07, 08	0.7	<=1.35 [0.053]	4 [0.157]
			>1.35 [0.053]	5.5 [0.217]
	04, 05	0.9	<=1.60 [0.063]	4 [0.157]
>1.60 [0.063]			5.5 [0.217]	
02, 03	1.3	<=2.10 [0.083]	4 [0.157]	
		>2.10 [0.083]	5.5 [0.217]	

(ASSEMBLED VIEW FOR INFORMATION ONLY)



MASS ± 10% 12 g

### PART LIST

ITEM NO.	DESCRIPTION	MATERIAL
1	SLEEVE	PEI_ULTEM
2	HALF BUSH WITH WINDOW	PEI_ULTEM
3	HALF BUSH WITHOUT WINDOW	PEI_ULTEM
4	INSULATOR	PEEK
5	Ø3.5-Ø7.5 CABLE COLLET (CHOOSE PER CABLE SIZE)	PEI_ULTEM
6	RUBBER WASHER (CHOOSE PER CABLE SIZE)	SILICONE
7	STANDARD BACK NUT	PEI_ULTEM

Country	Jurisdiction & Control List
FR	NOT LISTED

P/N : SEE TABLE : CONNECTOR CODING

E	17/05/18	Adding color/keying table and cable/claw table		25108
ISS	DATE	Latest modification - by: J.GAMBIER		MOD N°
Designed by: Q.LEBRETON		Date:20/01/17		CUSTOMER DRAWING
TITLE		PLUG - STANDARD VERSION SIZE 1 WITH CABLE GLAND - TYPE FH (IP68) GAMME JMX		
Scale	2/1	General Linear Tolerances: SEE TABLE	NPRDS / PROJECT BE150710A	
Esterline Connection Technologies		www.esterline-connection-technologies.com		This document is the property of SOURIAU. It must not be reproduced or communicated without permission.
FORMAT	A2	SOURIAU DRG N° C0002-PPP1-A		SHEET 1 / 1

SOURIAU shall not be liable for any non-conformity or damage due to a use of the Products which does not comply with the Specifications issued by either of the Parties or by a third party (professional recommendation, technical notice.)