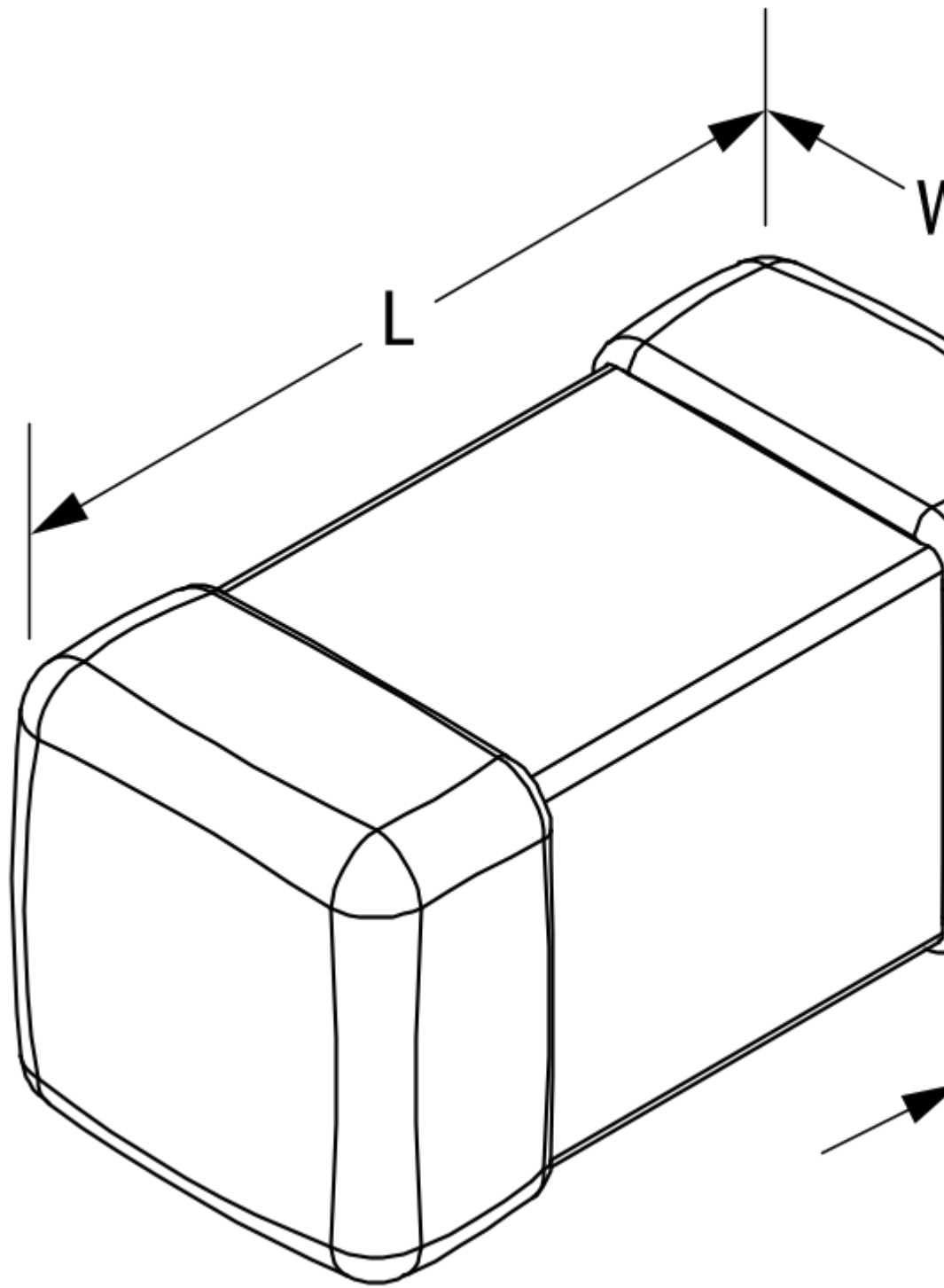


L0805C3R3MDMIT

Aliases (L0805C3R3MDMIT)

Obsolete

KEMET, L-DMI, Power, 3.3 uH, 20%



Click [here](#) for the 3D model.

Dimensions

Chip Size 0805

Dimensions

L	2mm +/-0.2mm
W	1.25mm +/-0.2mm
T	1mm MAX
B	0.5mm +/-0.3mm

Packaging Specifications

Packaging	T&R
Packaging Quantity	3000

General Information

Series	L-DMI
Style	SMD Chip
Description	Shielded, Surface Mount Inductor
Features	High Current Type For Power Supply Line
RoHS	Yes
Winding Type	Multilayer
Notes	Suggested Replacement - https://www.chilisin.com/en-global/Inductor/Product/BKPB_201210/BKPB002012103R3MA2 .

Specifications

Inductance	3.3 uH (1 MHz)
Inductance Tolerance	20%
Temperature Range	-40/+85°C
Shielded	Yes
Current	700 mAmps (MAX)
DC Resistance	0.24 Ohms (Max)

Statements of suitability for certain applications are based on our knowledge of typical operating conditions for such applications, but are not intended to constitute - and we specifically disclaim - any warranty concerning suitability for a specific customer application or use. This Information is intended for use only by customers who have the requisite experience and capability to determine the correct products for their application. Any technical advice inferred from this Information or otherwise provided by us with reference to the use of our products is given gratis, and we assume no obligation or liability for the advice given or results obtained.

Generated 5/18/2023 - 3af04a28-0731-4131-85a3-5fe989233f6e
© 2006 - 2023 KEMET
Generated 5/18/2023 - 3af04a28-0731-4131-85a3-5fe989233f6e
© 2006 - 2023 KEMET