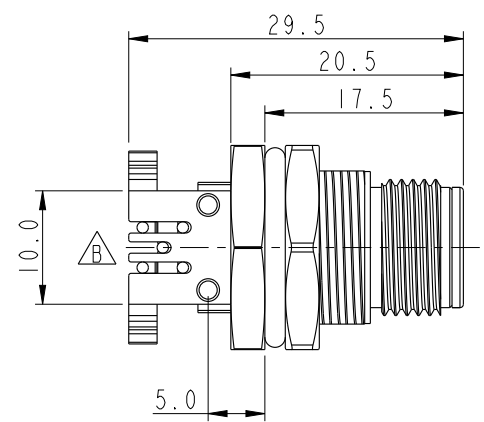
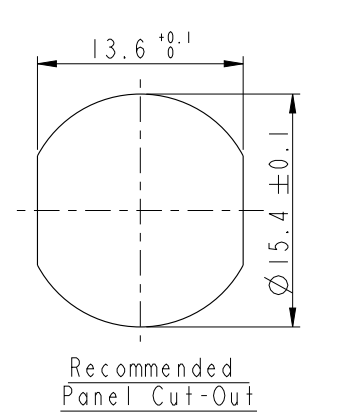
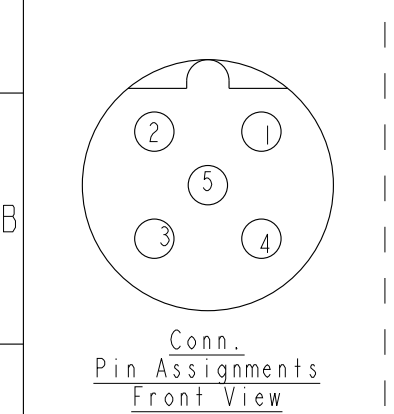
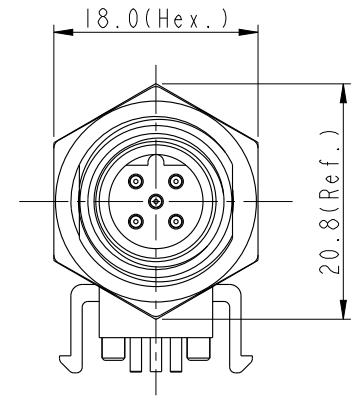
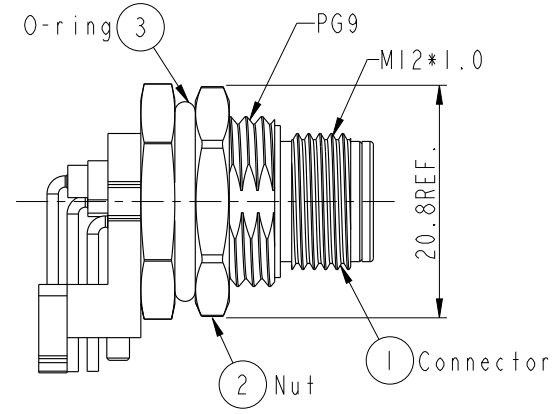
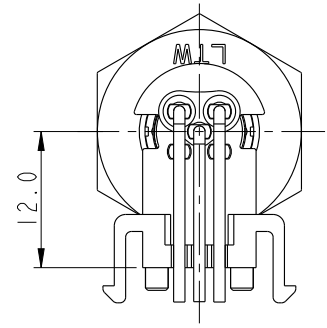
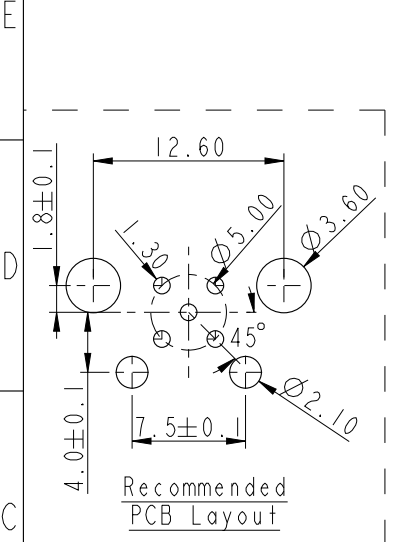


THIS DOCUMENT IS SUBJECT TO CHANGE WITHOUT NOTICE. IT IS CONFIDENTIAL AND A PROPERTY OF AMPHENOL LTW. DISCLOSURE TO THIRD PARTY HAS TO BE AUTHORIZED BY AMPHENOL LTW.

REV.	ECN NO.	DATE	SIGN	DESCRIPTION
B	C191427	2019/08/14	Nan_Su	Change Views

ALTW
CONFIDENTIAL
 2019-08-14
R&D DEPT.



- Note:
- * \varnothing Important Dimension To Check.
 - * Waterproof Rate: IP68
 IP68: 1M Depth Of Water In 24hours
 - * Connector: Nylon+GF, Black
 - * Male Pin: Copper Alloy, Gold Plated
 - * Shell: Zinc Alloy, Nickel Plated.
 - * Nut: Zinc Alloy, Nickel Plated.
 - * O-ring: Silicon, Black
 - * Boardlock: PBT+PC, Black
 - * For Panel Thickness Max. 4.5mm
 - * For PCB Thickness Max. 1.6mm

UNIT: mm			TITLE
TOLERANCE	.X ±0.25	.XX ±0.1	SENSOR, M12 BCODE, 90° PANEL
.XXX ±0.05	ANGLES ±1°	SCALE 3:2	5PIN MCONN MPIN
		SIZE A4	
		SHEET 1 OF 1	
		REV. B	WC-REV. A.2
			\varnothing : Inspection item

Amphenol LTW
 安費諾亮泰企業股份有限公司

ITEM NO	M12B-05PMMR-SF8001	DRAWN BY	Nan_Su	DATE	2019-08-14
DWG NO	M12B-05PMMR-SF8001	CHECKED BY	Feng_Li	DATE	2019-08-14
CUSTOMER	ALTW	APPROVED BY	Jerry	DATE	2019-08-14