

FEATURES

- Large Active Area
- Low Noise
- High Sensitivity
- Custom Gains Available
- Hermetically Sealed TO-39

Electro-Optical Characteristics at 23°C

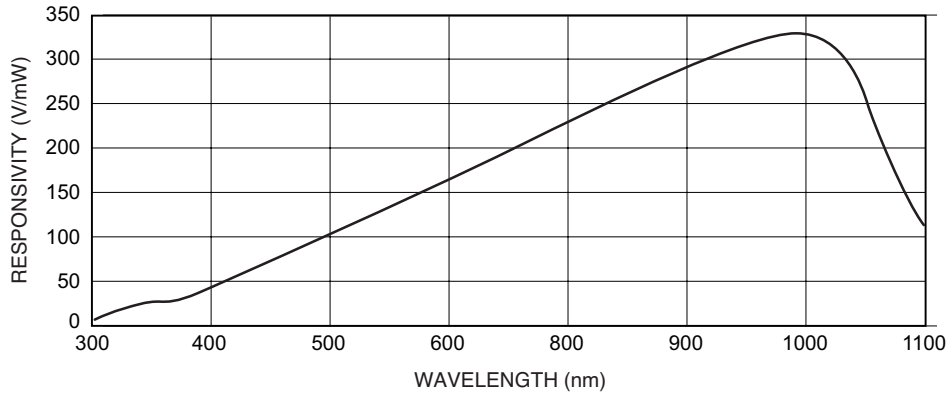
Parameters	Test Conditions	Min	Typ	Max	Units
Active Area	3.30 mm x 1.78 mm		5.87		mm ²
Dark Offset	V _s = ±5 V		1	±2	mV
Dark Offset Noise	V _s = ±5 BW = 0.1 to 135 kHz		283	500	µV rms
Sensitivity	V _s = ±5 V λ = 940 nm	275	315		V/µW
Frequency Response (-3 db)	V _s = ±5 V	100	130		Hz
NEP	λ = 940 nm		1.2		fW/√Hz
Transimpedance Gain			500		MΩ
Supply Current			850	950	µA

Absolute Ratings

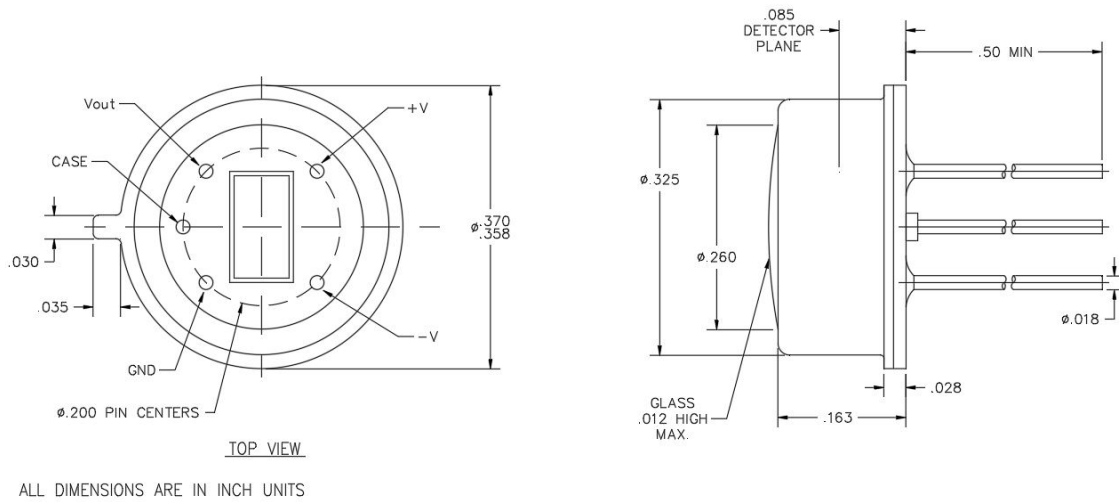
Parameters	Units
Voltage Supply Range +V to -V*	5 to 15 V
Power Dissipation	15 mW
Storage and Operating Temperature	-25 to + 100°C
Soldering Temperature (1/16" from case for 3 seconds max)	+260°C

*Voltage supply across the device requires a minimum of 5 V to a maximum of 15 V from +V to -V.

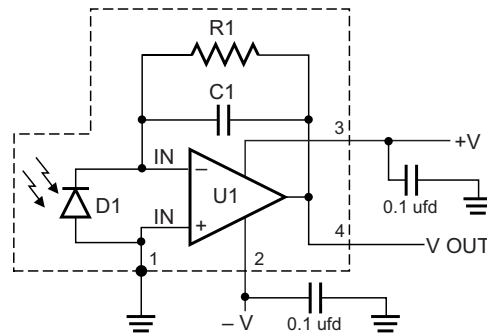
Typical Spectral Response



Package Information



Dimensions are in inch [metric] units.



Specifications are subject to change without prior notice.