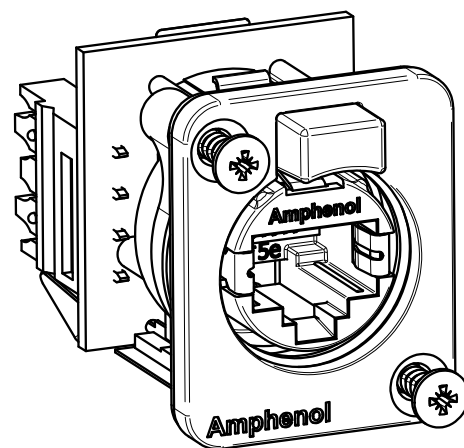
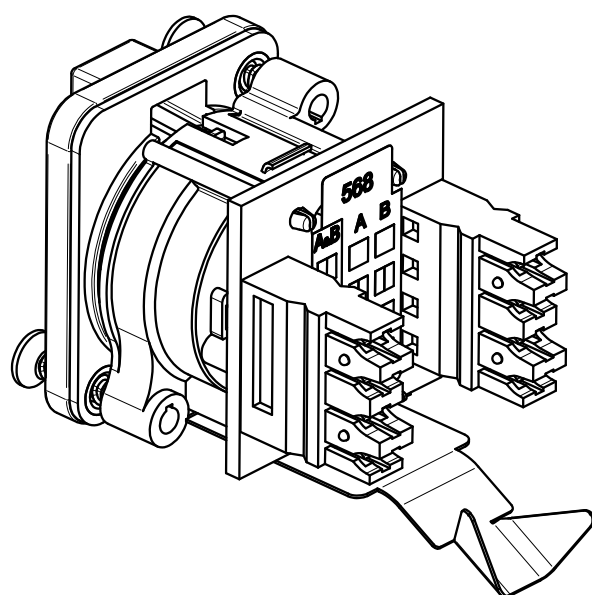


**PANEL CUT OUT**  
3:2

**TABLE OF PART NUMBERS**

PART No.	METAL SHELL FINISH	TRANSMISSION CLASS
RJXS8FD5110	NICKEL	CAT5e
RJXS8FD6110	NICKEL	CAT6



**3D VIEW**  
3:2

UNLESS OTHERWISE SPECIFIED TOLERANCE TO BE	
LINEAR	ANGULAR
X ±0.5	X° ±1
X.X ±0.1	X.X° ±30'
X.X ±0.05	X.X° ±15'

BREAK ALL SHARP EDGES AND REMOVE ALL BURRS

DO NOT SCALE

THIS DOCUMENT IS THE PROPERTY OF AMPHENOL AUSTRALIA PTY. LTD.  
NO PART THEREOF MAY BE REPRODUCED AND USED WITHOUT THE PRIOR WRITTEN CONSENT OF THE OWNER.

MATERIAL: **REFER SPECIFICATION**

FINISH:

DIMENSIONS IN MILLIMETRES

DRN: T.N	DATE: 17/04/19
CKD: P.M	DATE: 17/04/19
APP'D: P.M	DATE: 17/04/19
SCALE: <b>3:2</b>	SIZE: <b>A3</b>



**Amphenol**

TITLE:  
**XLRnet D TYPE IP54  
PUNCHDOWN IDC 110  
CUSTOMER DRAWING**

Amphenol Australia Pty.Ltd,  
22 Industry Blvd, Carrum Downs  
VIC 3201 Australia

PART No:	REV
<b>REFER TABLE P/No</b>	<b>1</b>
DRAWING No.	SHEET
<b>55011363-000-2</b>	<b>2/2</b>