

1

2

3

4

A

A

B

B

C

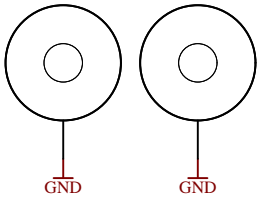
C

D

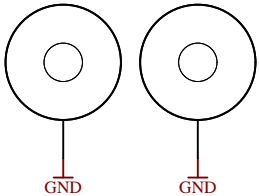
D

FPGA-MISC	FPGA-POWER
FPGA-MISC.SchDoc	FPGA-POWER.SchDoc
B13	DDR3-RAM
B13.SchDoc	DDR3-RAM.SchDoc
B34	B2B_Connector
B34.SchDoc	B2B_Connector.SchDoc
B35	Clock
B35.SchDoc	Clock.SchDoc
MIO-BANKS	ETH-PHY
MIO-BANKS.SchDoc	ETH-PHY.SchDoc
MGT	USB-PHY
MGT.SchDoc	USB-PHY.SchDoc
DDR-BANK	POWER
DDR-BANK.SchDoc	POWER.SchDoc
	POWER_2
	POWER_2.SchDoc

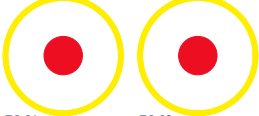
Mount.Hole 3.2mm Mount.Hole 3.2mm



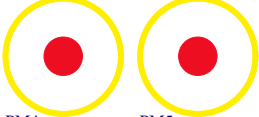
Mount.Hole 3.2mm Mount.Hole 3.2mm



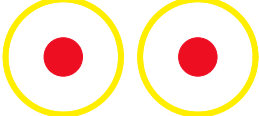
FIDU-DOT - small FIDU-DOT - small



PM1 PM2 FIDU-DOT - small FIDU-DOT - small



PM4 PM5 FIDU-DOT - small FIDU-DOT - small



PM6 PM3

Serial  
Serial  
Serialnumber 6,3 x 6.3mm



Assembly variant: 51133-A  
 Created by: MR  
 Modified by: MR  
 Modified at: 2021-01-20



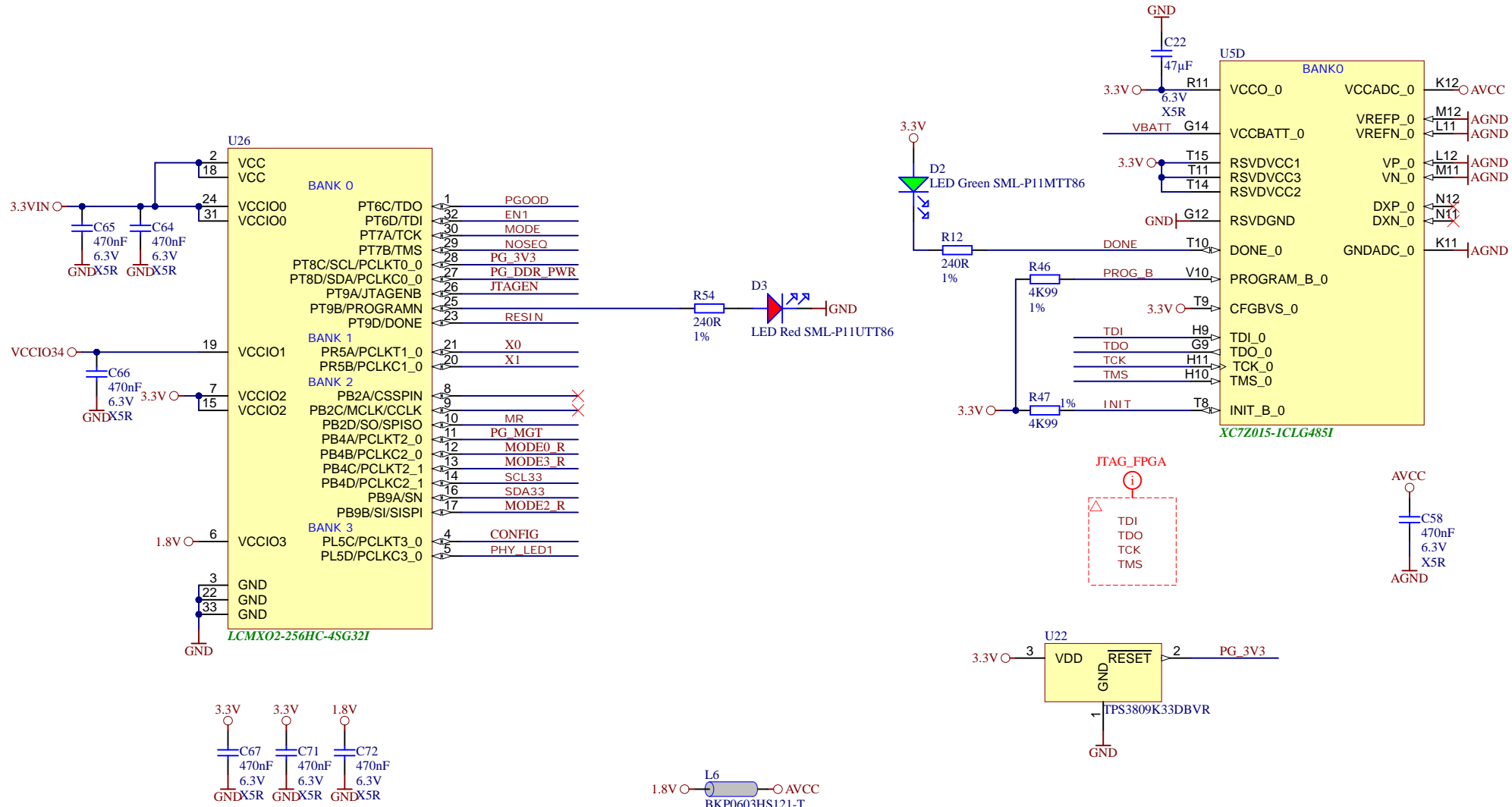
Title: TE0715 - Overview		
A4	Number: TE0715 51133-A	Rev. 04
Date: 2015-10-14	Copyright: Trenz Electronic GmbH / TT	Page 1 of 15
Filename: TE0715.SchDoc		

1

2

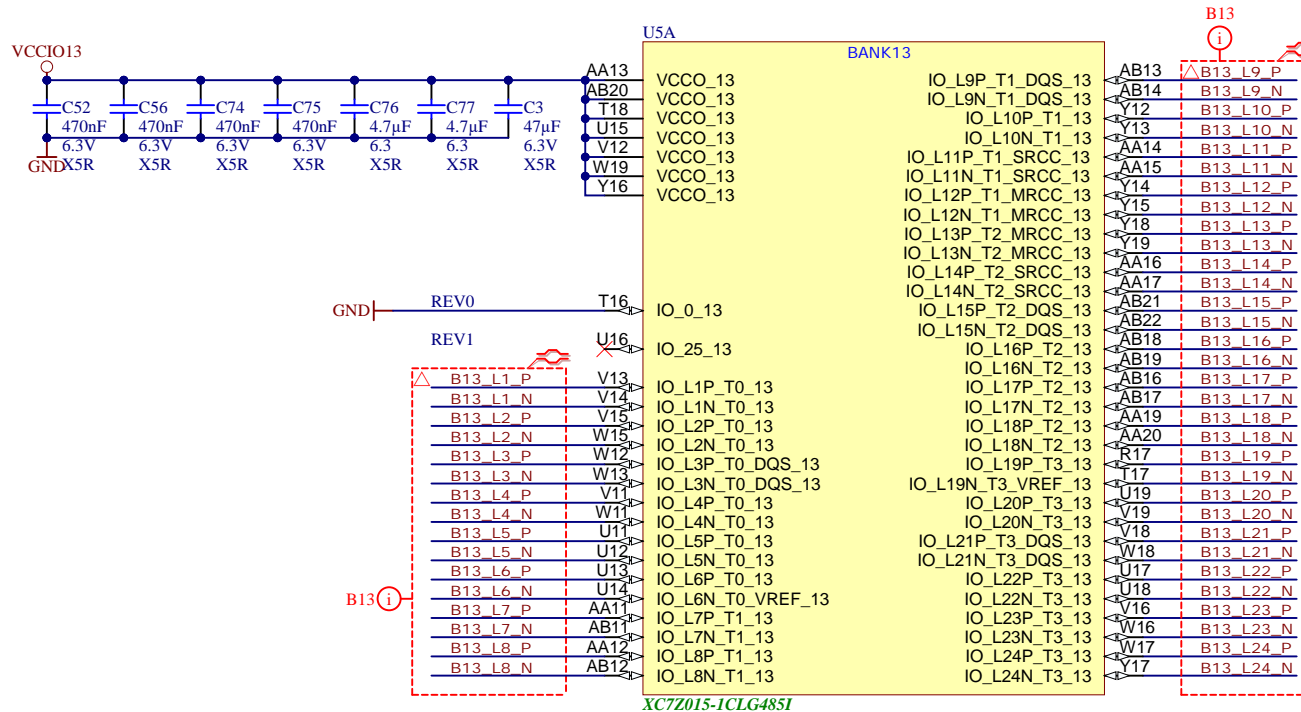
3

4

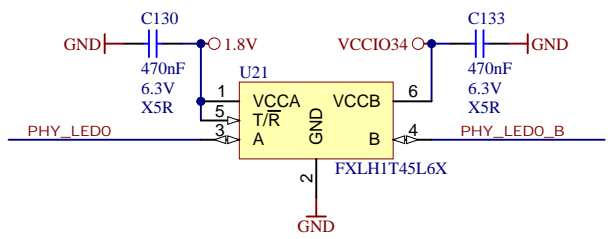
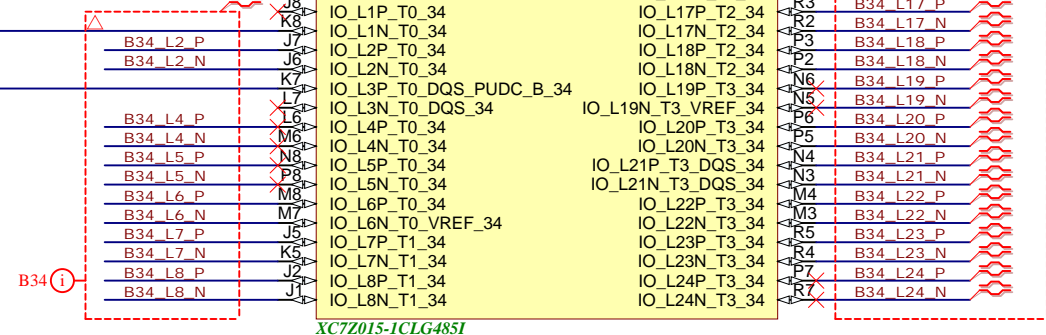
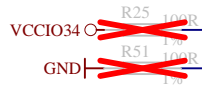
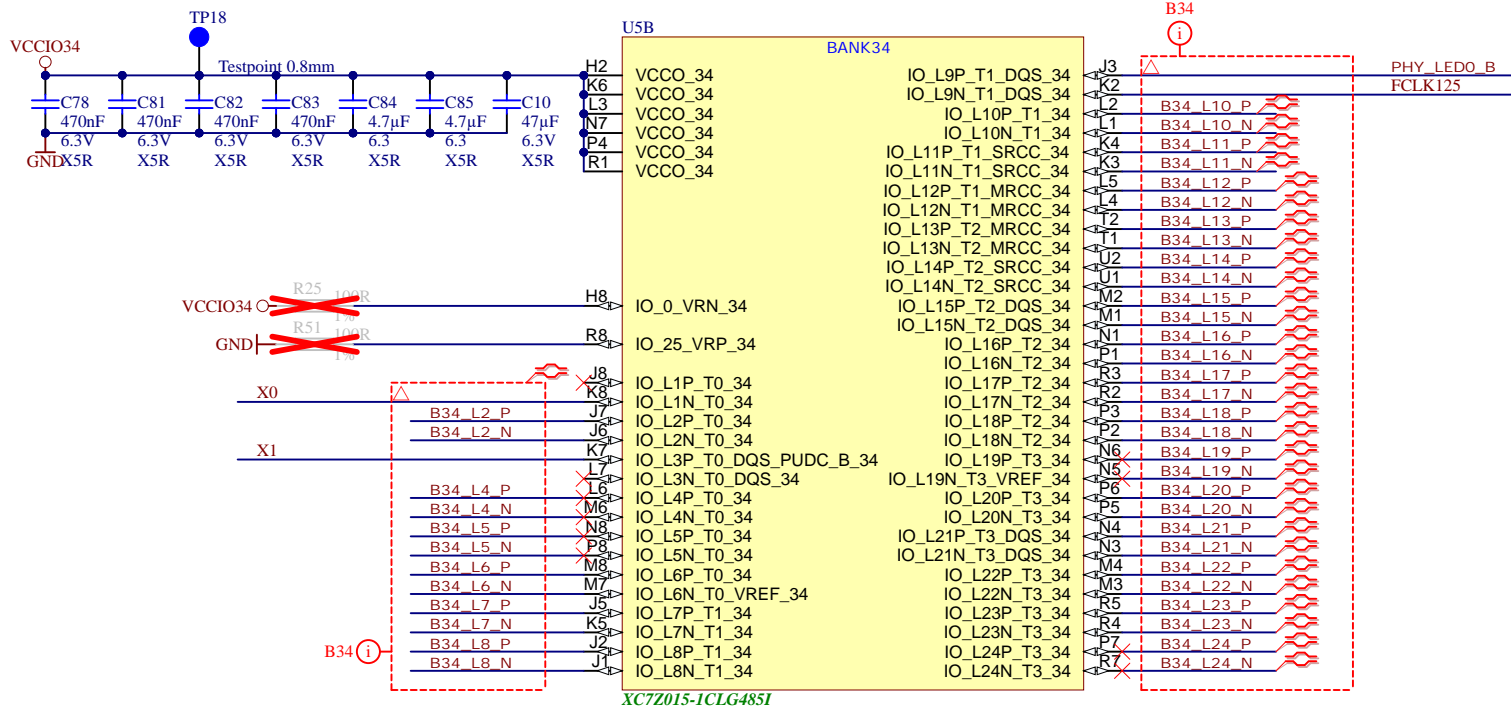


Title: <b>TE0715 - Config-MISC</b>		
A4	Number: <b>TE0715 51133-A</b>	Rev. <b>04</b>
Date: 2015-10-14	Copyright: Trenz Electronic GmbH / TT	Page2 of 15
Filename: <b>FPGA-MISC.SchDoc</b>		

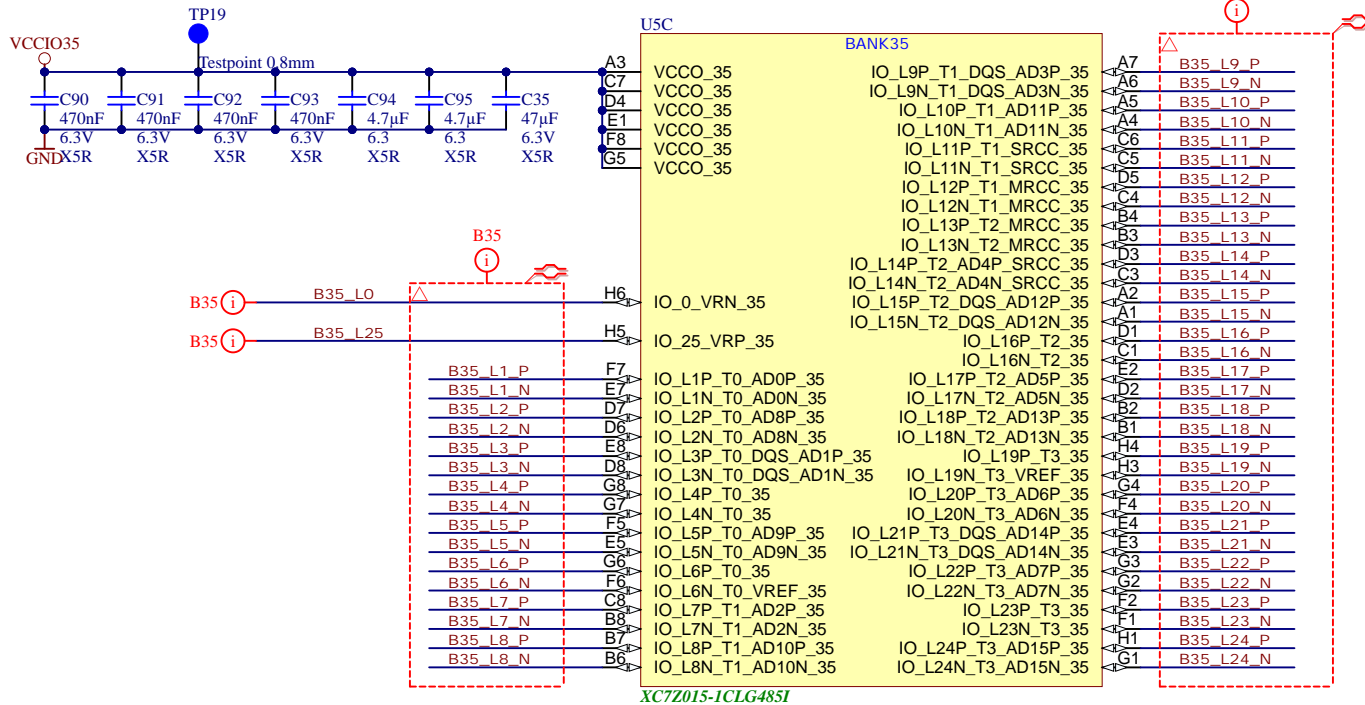




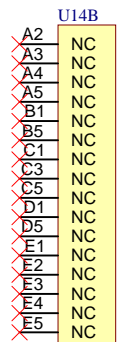
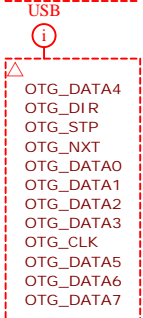
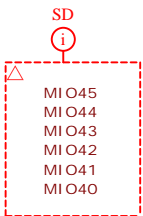
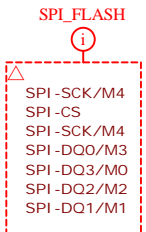
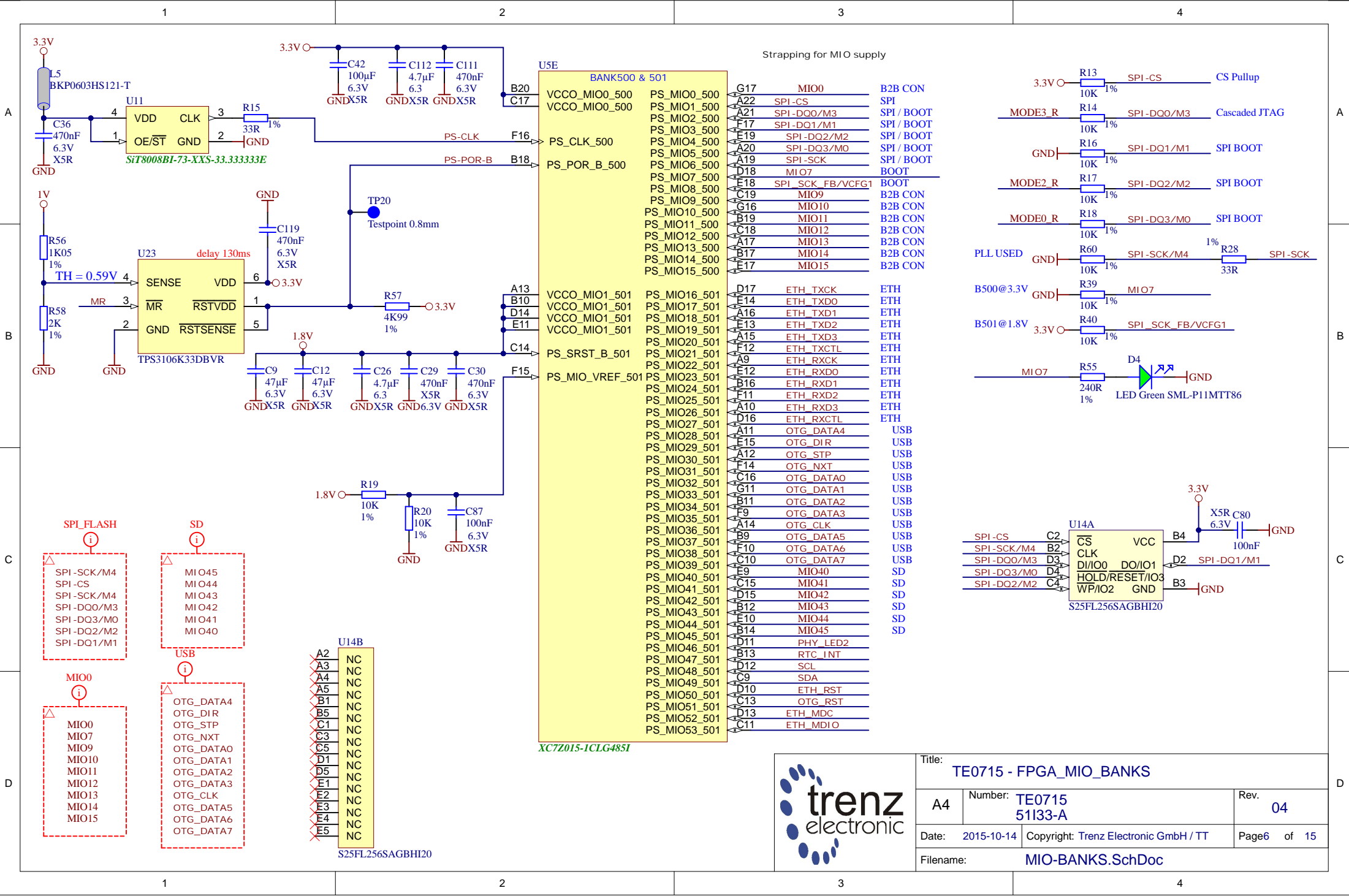
	Title: TE0715 - FPGA_B12		
	A4	Number: TE0715 51133-A	Rev. 04
	Date: 2015-10-14	Copyright: Trenz Electronic GmbH / TT	Page3 of 15
	Filename: B13.SchDoc		



Title: TE0715 - FPGA_B34		
A4	Number: TE0715 51133-A	Rev. 04
Date: 2015-10-14	Copyright: Trenz Electronic GmbH / TT	Page4 of 15
Filename: B34.SchDoc		



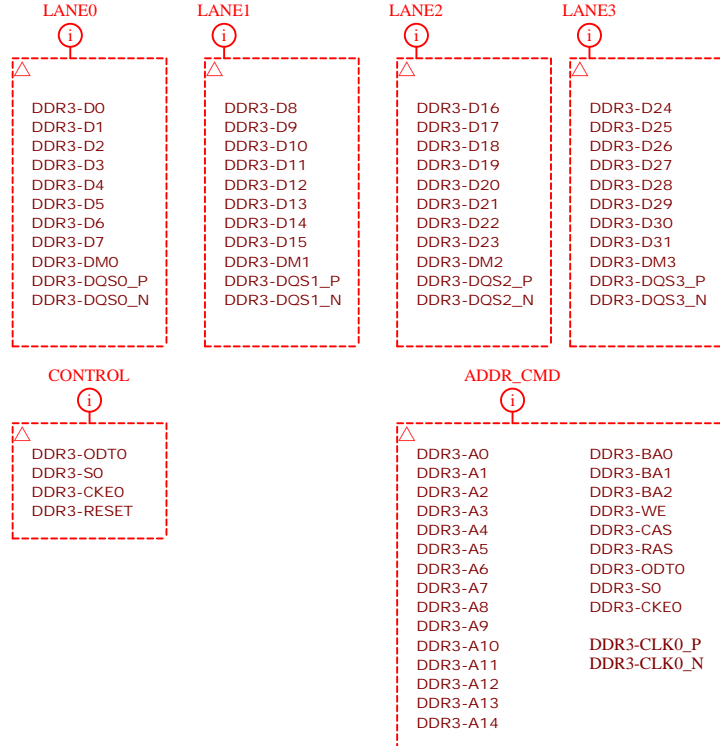
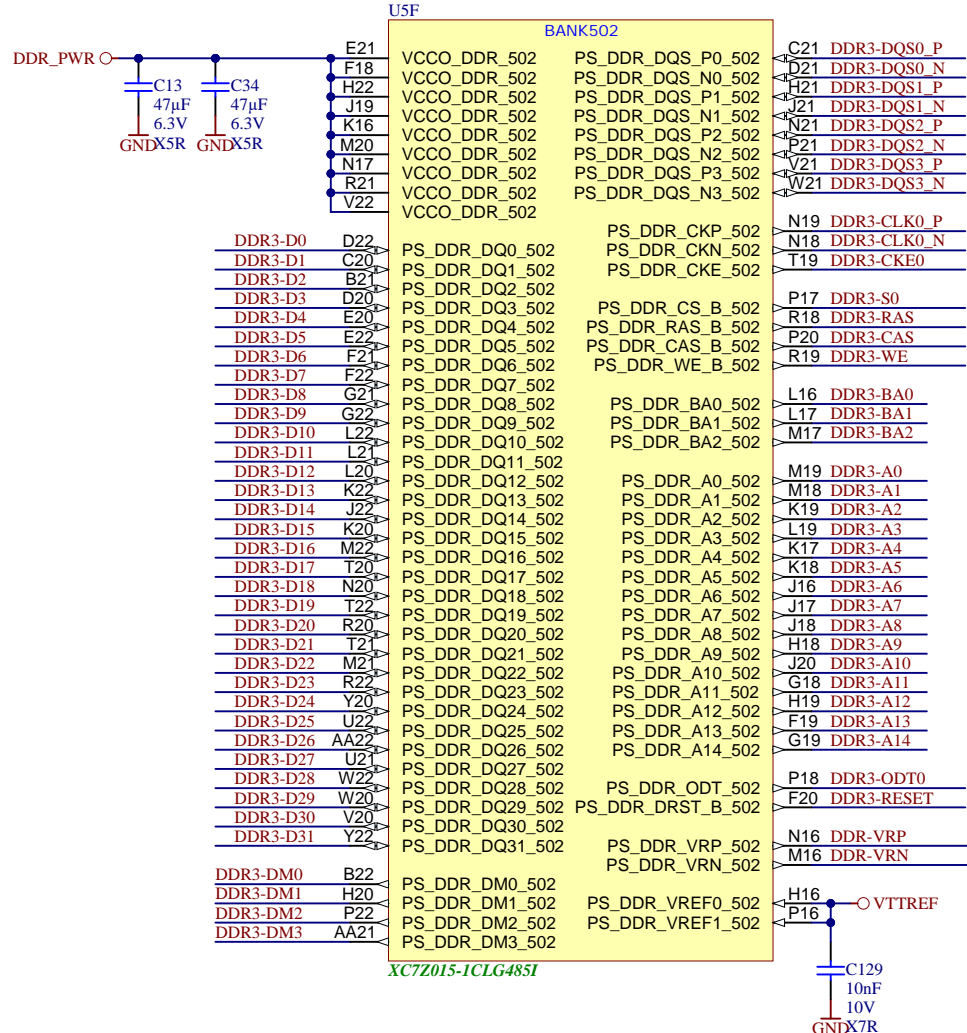

Title: TE0715 - FPGA_B35		
A4	Number: TE0715 51133-A	Rev. 04
Date: 2015-10-14	Copyright: Trenz Electronic GmbH / TT	Page5 of 15
Filename: B35.SchDoc		



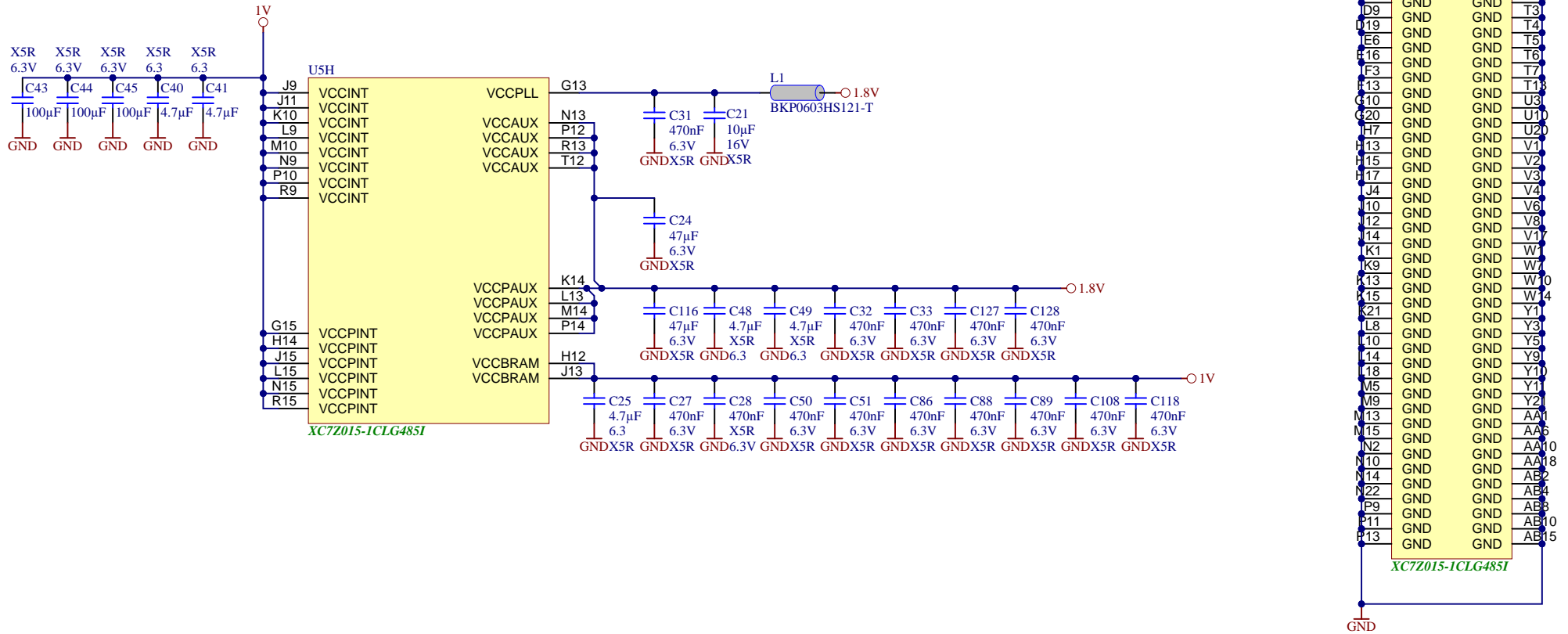
S25FL256SAGBH120



Title: <b>TE0715 - FPGA_MIO_BANKS</b>		
A4	Number: <b>TE0715 51133-A</b>	Rev. <b>04</b>
Date: 2015-10-14	Copyright: Trenz Electronic GmbH / TT	Page6 of 15
Filename: <b>MIO-BANKS.SchDoc</b>		

Title: <b>TE0715 - FPGA_PS-DDR</b>		
A4	Number: <b>TE0715 51133-A</b>	Rev. <b>04</b>
Date: <b>2015-10-14</b>	Copyright: <b>Trenz Electronic GmbH / TT</b>	Page <b>7</b> of <b>15</b>
Filename: <b>DDR-BANK.SchDoc</b>		



	Title: TE0715 - FPGA_Power		
	A4	Number: TE0715 51133-A	Rev. 04
	Date: 2015-10-14	Copyright: Trenz Electronic GmbH / TT	Page 8 of 15
	Filename: FGPA-POWER.SchDoc		





A

B

C

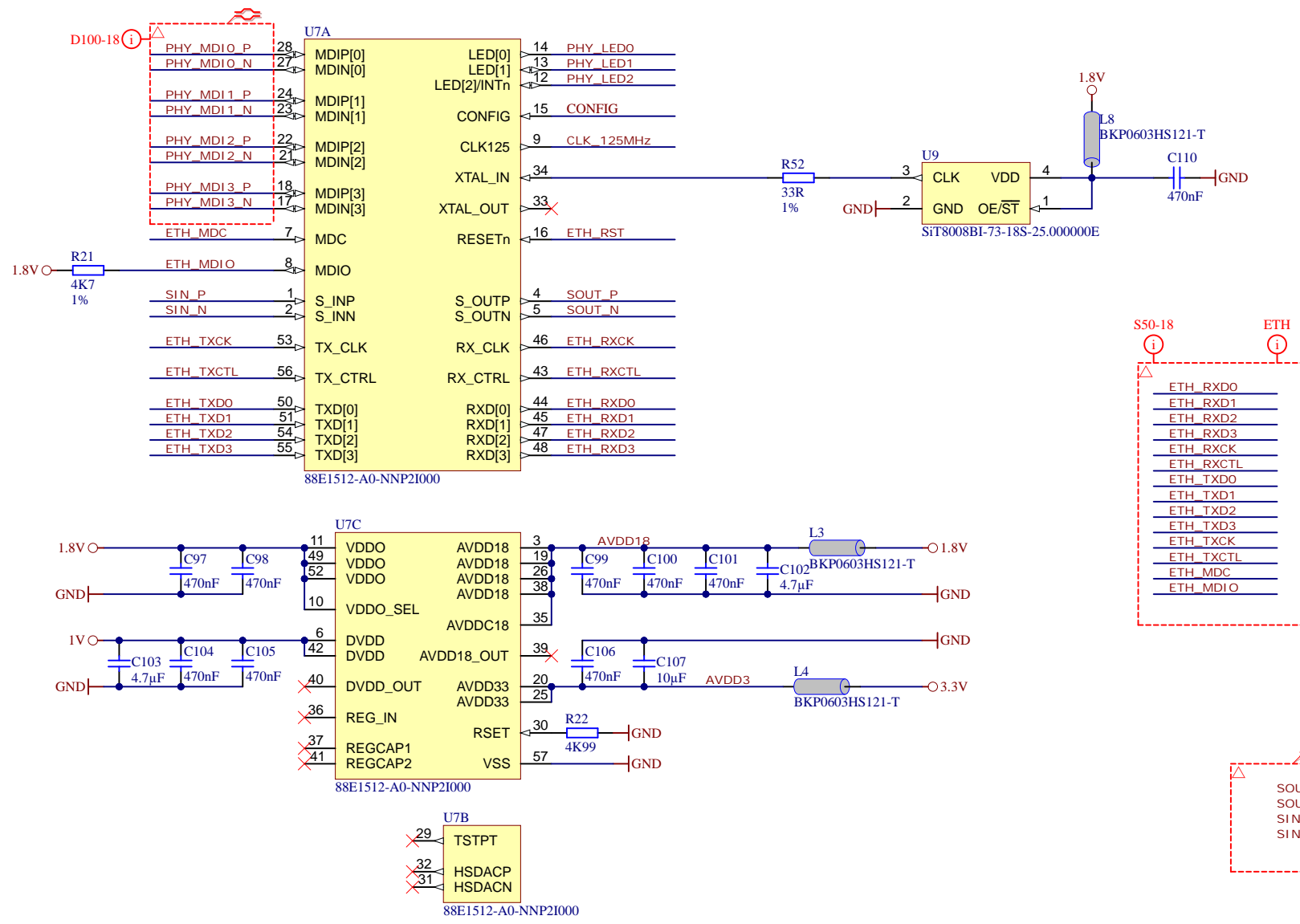
D

A

B

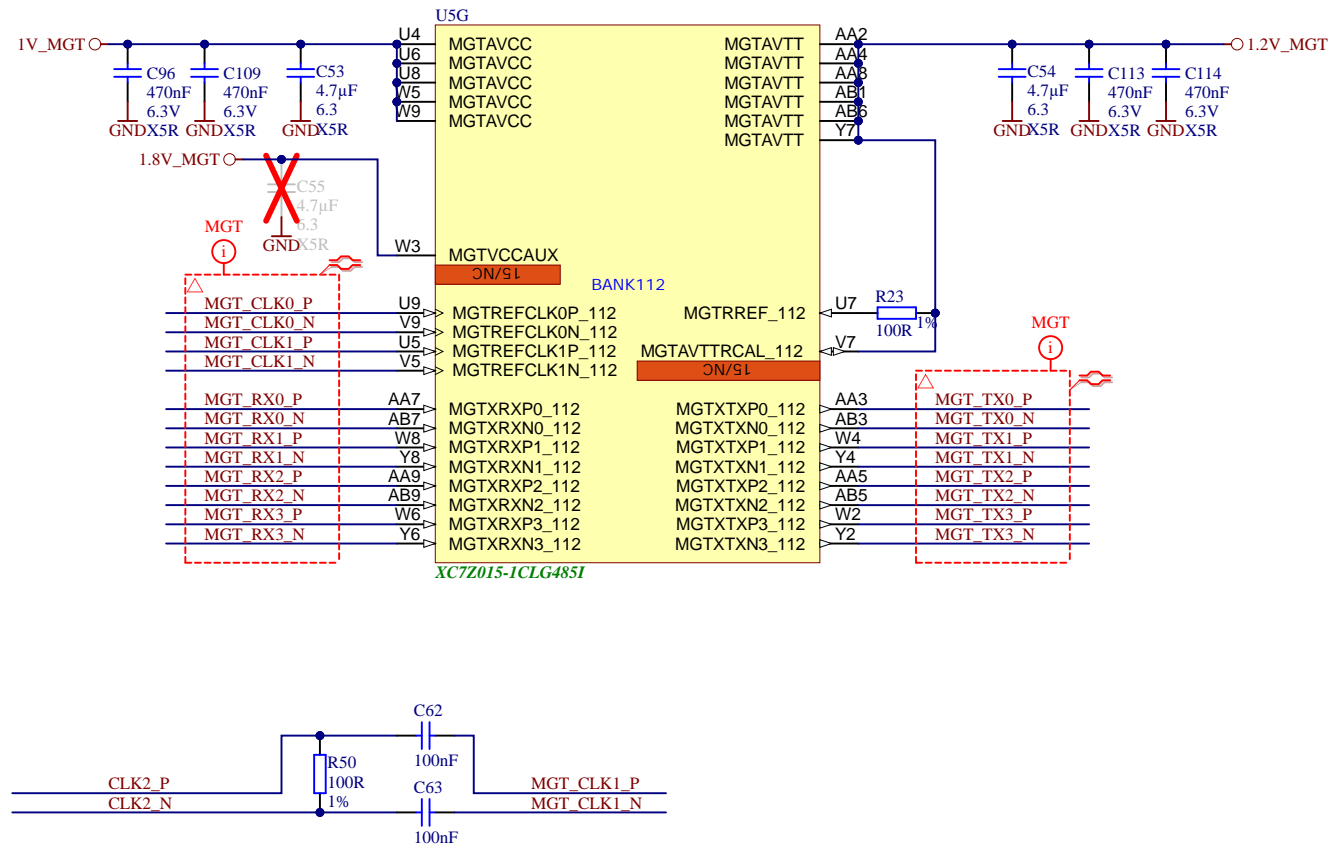
C


D

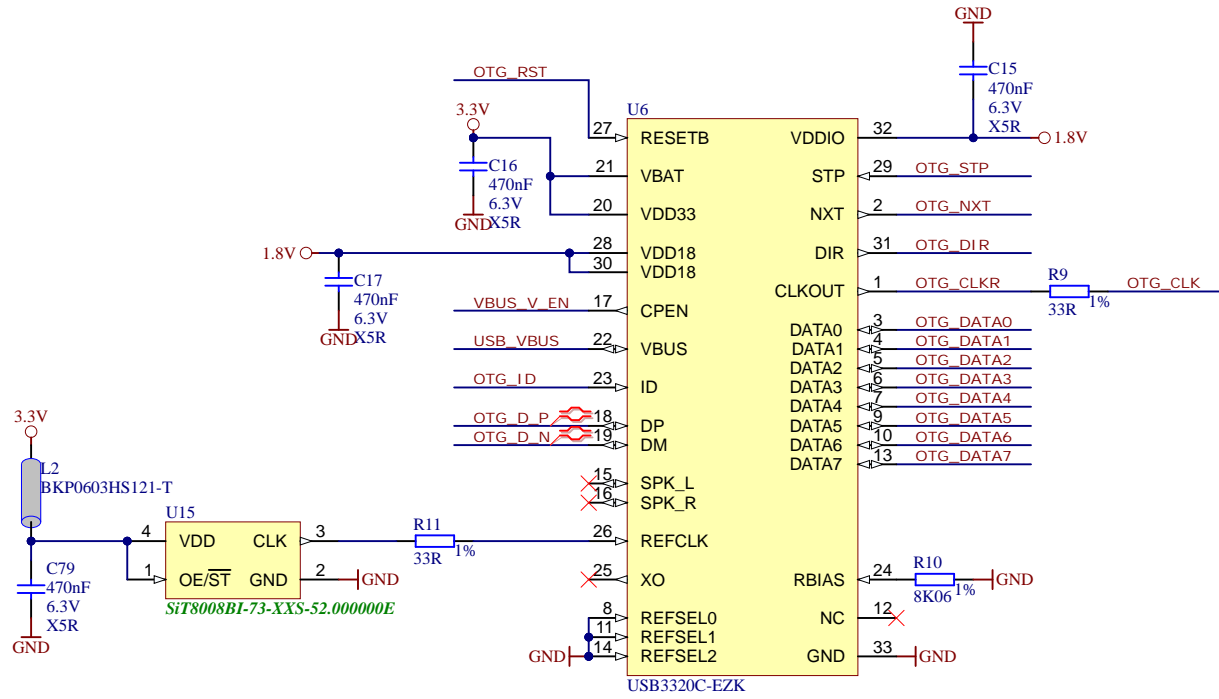


	Title: <b>TE0715 - ETH_PHY</b>	
	A4	Number: <b>TE0715 51133-A</b>
	Date: 2015-10-14	Copyright: 2013 Trenz Electronic GmbH
	Rev. <b>04</b>	Page 10 of 15
Filename: <b>ETH-PHY.SchDoc</b>		





			Title: TE0715 - FPGA_MGT	
			A4	Number: TE0715 51133-A
Date: 2015-10-14		Copyright: Trenz Electronic GmbH / TT		Page 12 of 15
Filename: MGT.SchDoc				



	Title: <b>TE0715 - USB_PHY</b>	
	A4	Number: <b>TE0715 51133-A</b>
	Date: 2015-10-14	Rev. <b>04</b>
	Page 13 of 15	
Copyright: 2013 Trenz Electronic GmbH		
Filename: <b>USB-PHY.SchDoc</b>		

A

A

B

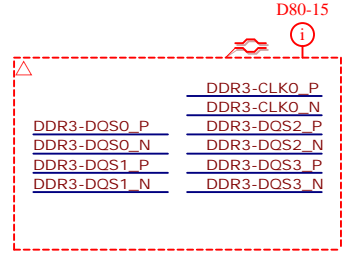
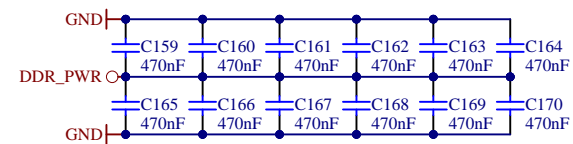
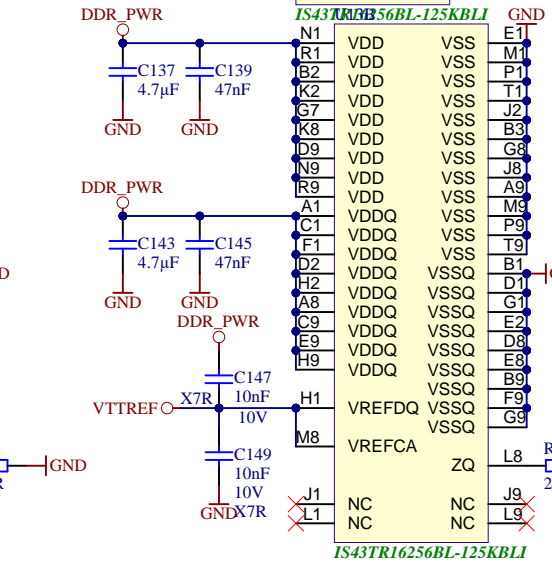
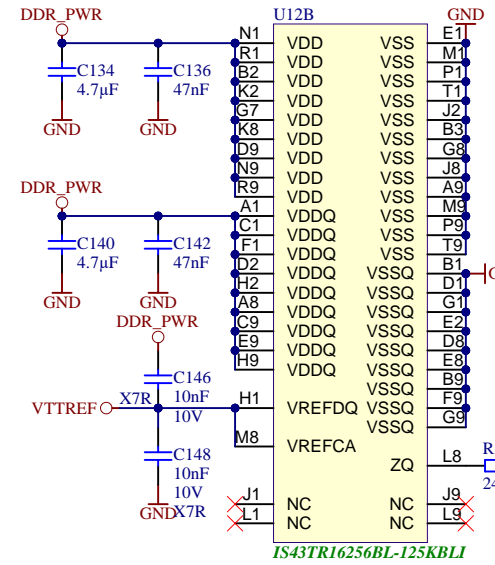
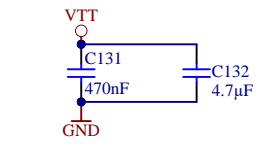
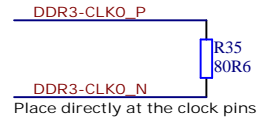
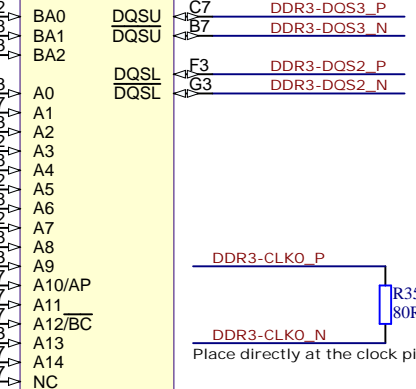
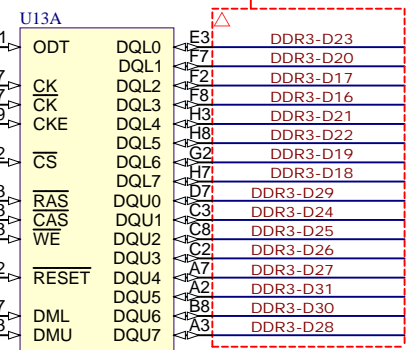
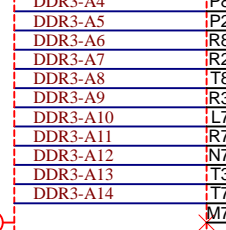
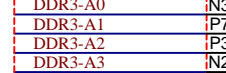
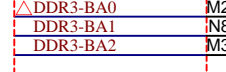
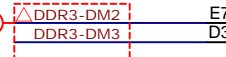
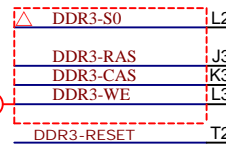
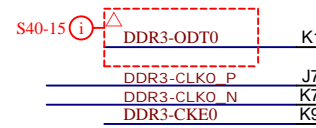
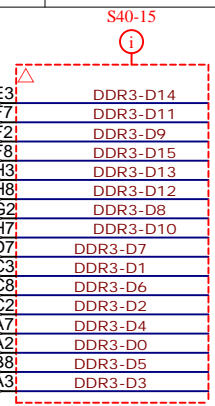
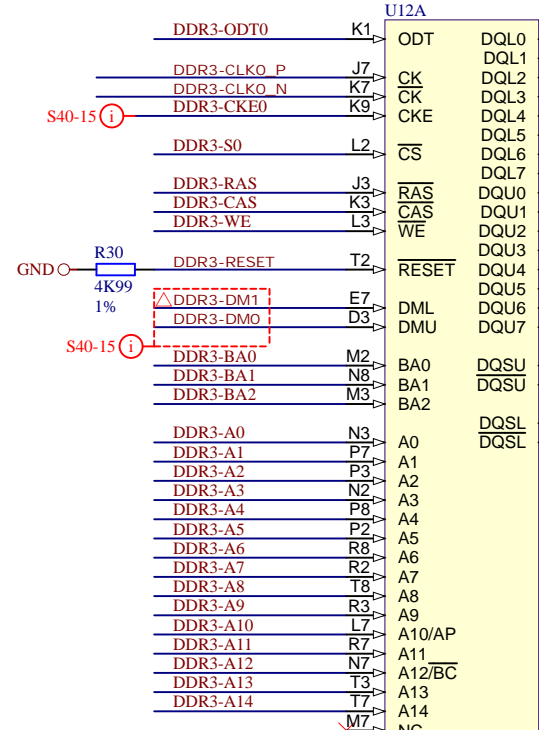
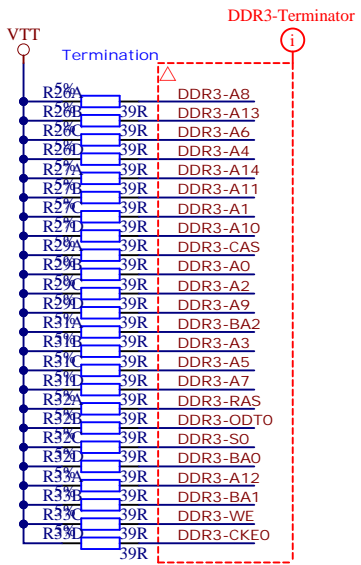
B

C

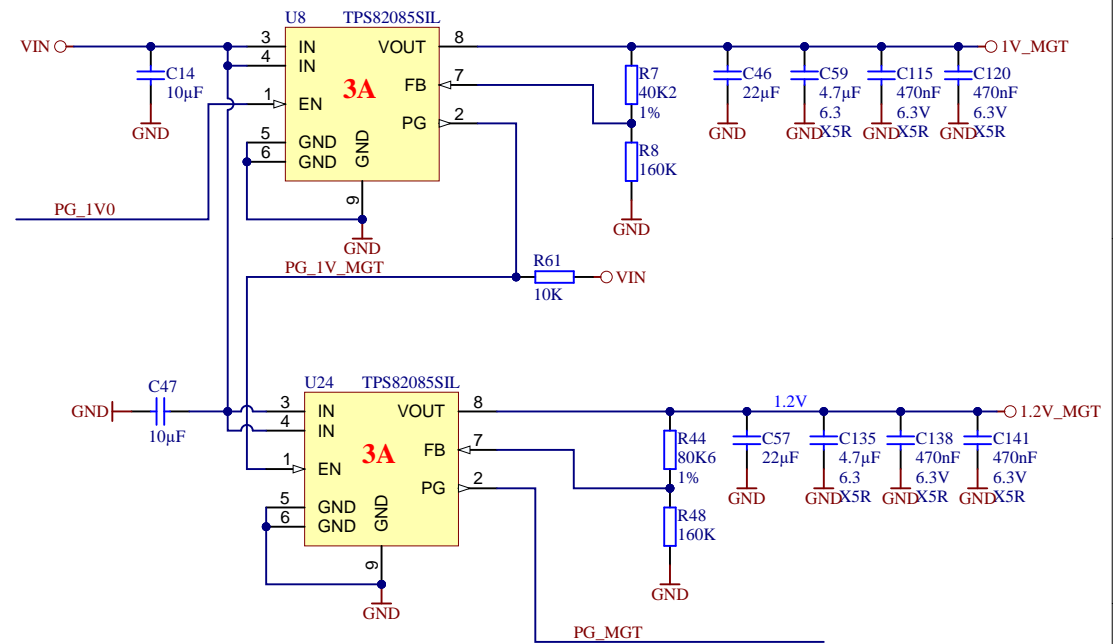
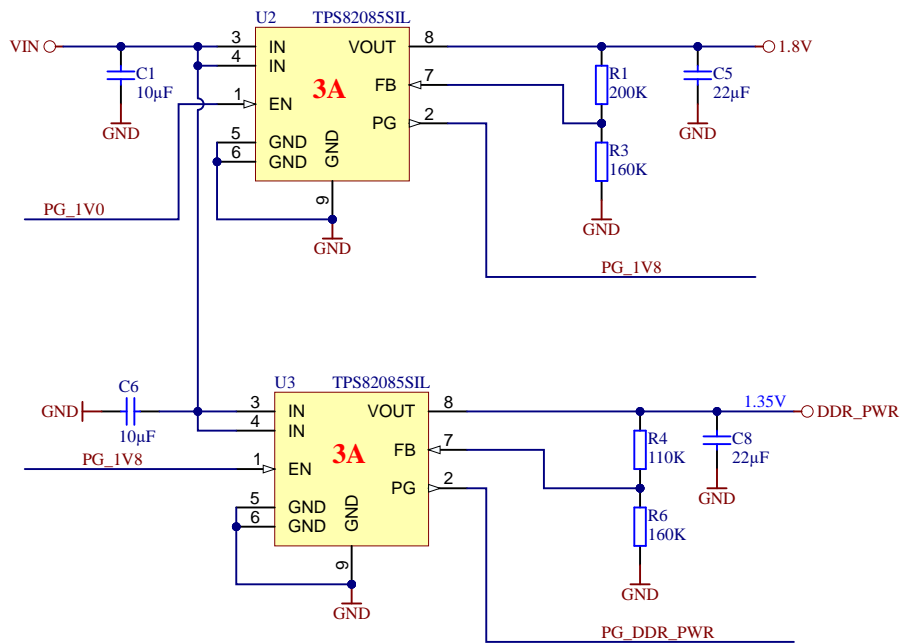
C

D

D



Title: TE0715 - DDR3_RAM		
A4	Number: TE0715 51133-A	Rev. 04
Date: 2015-10-14	Copyright: 2013 Trenz Electronic GmbH	Page 14 of 15
Filename: DDR3-RAM.SchDoc		



~~L9  
BKP0603HS121-T~~  
1.8V ○ ○ 1.8V\_MGT

	Title: TE0715 - Power	
	A4	Number: TE0715 51133-A
	Date: 2015-10-14	Copyright: Trenz Electronic GmbH / TT
	Rev. 04	
Page 15 of 15		
Filename: POWER_2.SchDoc		

1

2

3

4

A

A

B

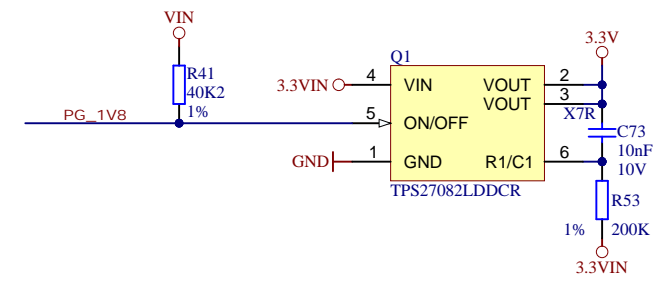
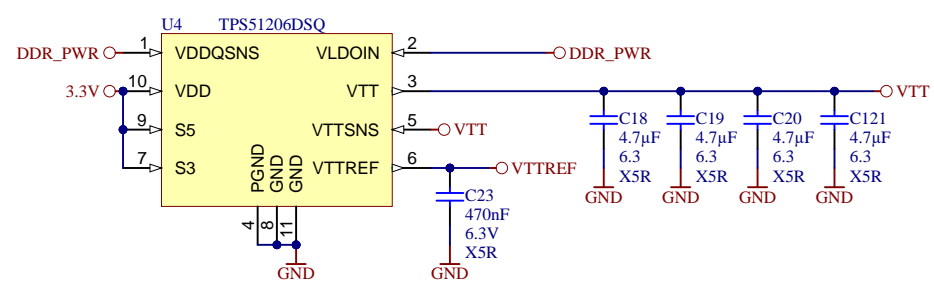
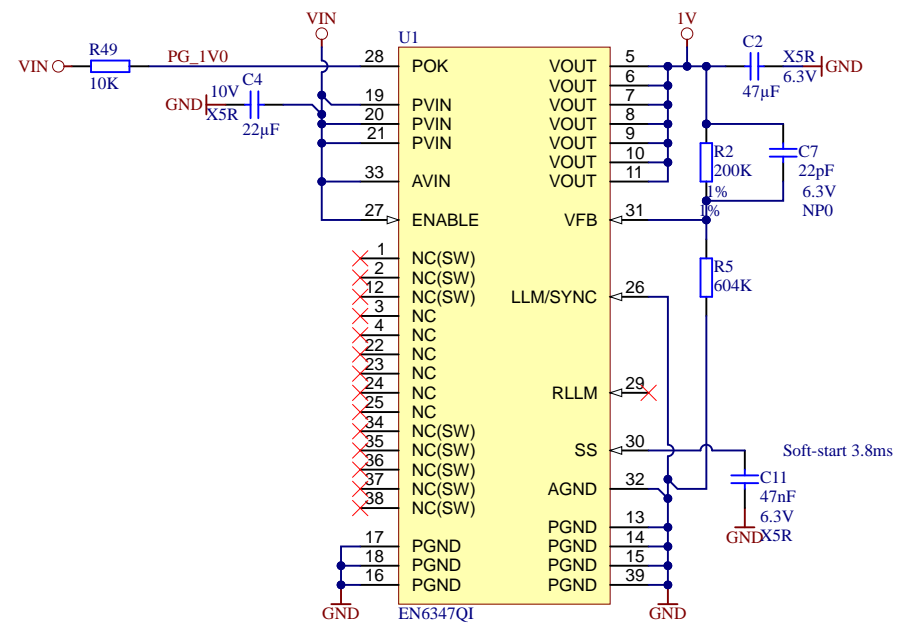
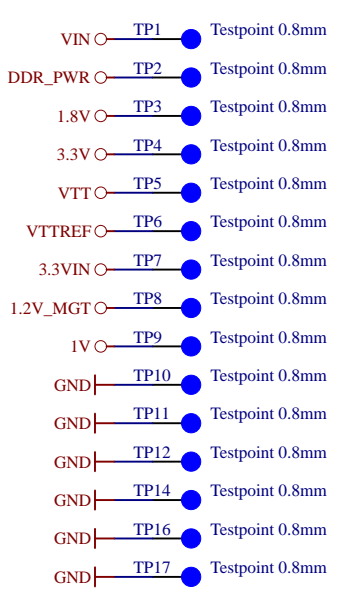
B

C

C

D

D



Title: <b>TE0715 - Power</b>		
A4	Number: <b>TE0715 51133-A</b>	Rev. <b>04</b>
Date: <b>2015-10-14</b>	Copyright: <b>Trenz Electronic GmbH / TT</b>	Page <b>15</b> of <b>15</b>
Filename: <b>POWER.SchDoc</b>		

1

2

3

4