



TE Connectivity

Product Change Notification: P-15-011338

PCN Date: 09-APR-15

TE would like to inform you of the following change(s) to the listed TE Connectivity Product. In case of any further questions about this change(s), please contact your TE Connectivity Sales Engineer. Affected part, drawing and/or specification numbers are listed on the attached sheet(s).

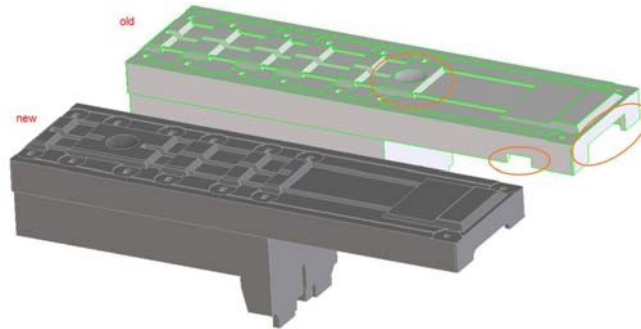
General Product Description:

Base of SR6B, SR6D, S960-B relay types

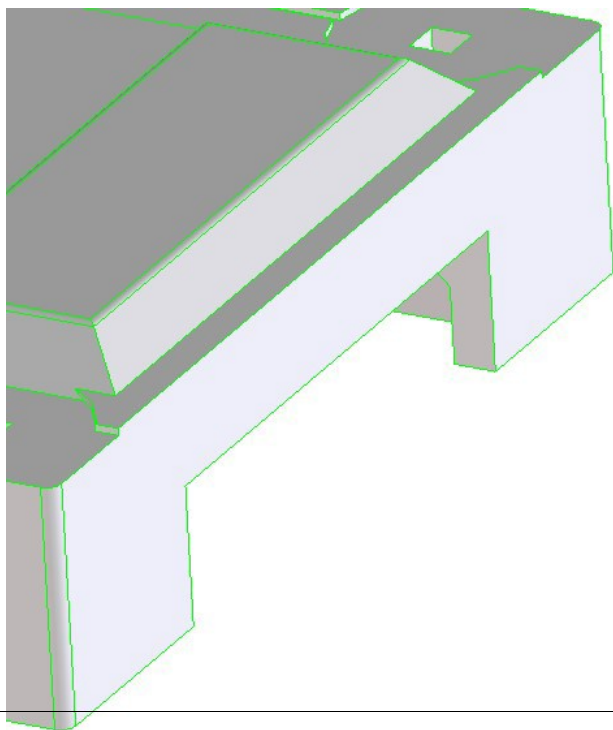
Description of Changes

In the course of our continuous improvement process and maintenance of tooling the following slight modifications were done at the base of the relay (see pic s enclosed). By that, molding of piece parts as well as handling within production process will be further improved. These modifications have neither influence on the force guiding characteristics nor electrical and mechanical functions of the relay.

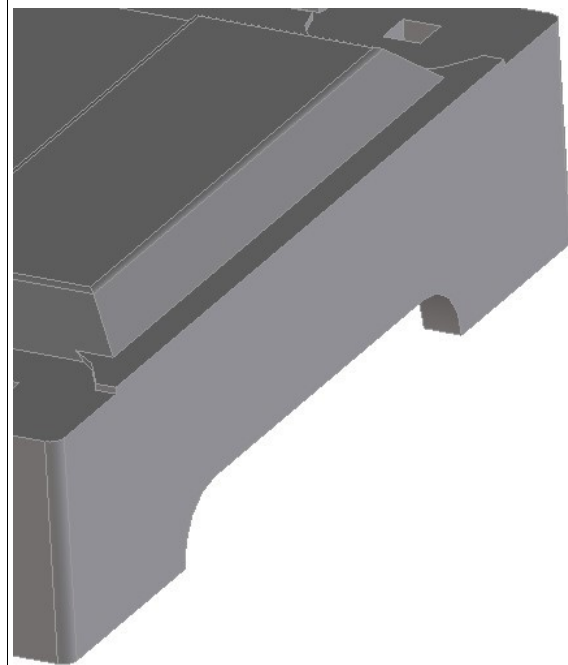
Overview



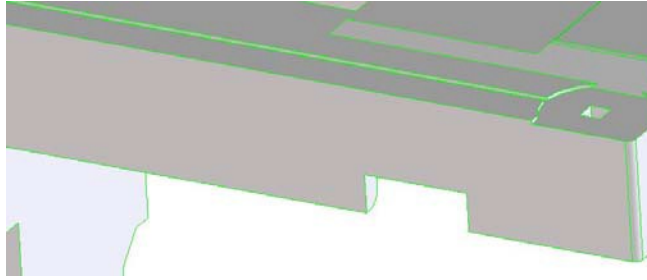
Detail 1 old



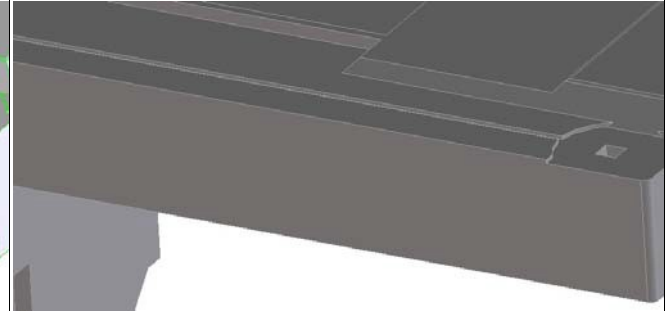
Detail 1 new



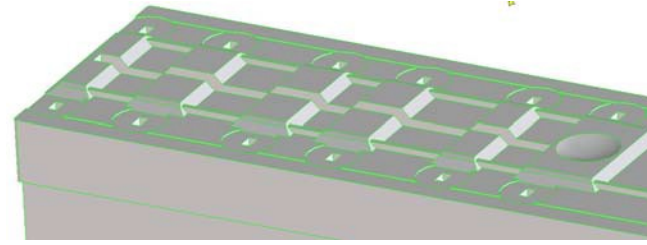
Detail 2 old



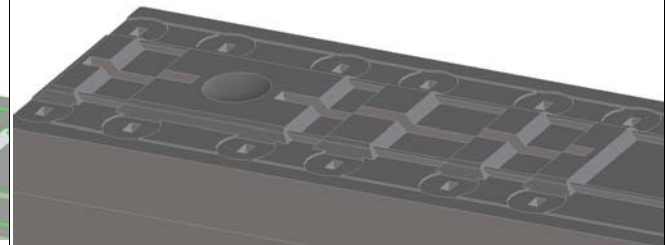
Detail 2 new



Detail 3 old



Detail 3 new



Reason for Changes:	
Product improvement.	
Estimated Dates:	
Last Order Date (Obsolete Parts Only):	First Date To Ship (Changed Parts Only):
	15-SEP-2014
Last Ship Date (Obsolete Parts Only):	Last Date for Mixed Shipments: (Changed Parts Only):
	15-JUN-2015

Part Number(s) being Modified:

Part Number	Part Discontinued per PCN	Customer Drawing	Customer Part Number	Alias Part Number(s)	Substitute Part Number	Substitute Alias Part Number(s)	Description Of Difference
1-1393260-3	NO			"V23050-A1110-A542", "V23050A1110A542"			
1393260-4	NO			"V23050-A1012-A542", "V23050A1012A542"			
1393260-6	NO			"V23050-A1021-A542", "V23050A1021A542"			
1393260-7	NO			"V23050-A1024-A542", "V23050A1024A542"			
6-1415027-1	NO			"SR6D4024"			
8-1415537-0	NO			"SR6B6K24"			