

TABLE OF CONTENTS	
SHEET NO.	SHEET DESCRIPTION
1	NOTES AND BOM
2	CONFIGURATIONS
3-4	KEY CONFIGURATIONS
5	BLADE SEALED ASSEMBLY
6	SYSTEM PACKAGING
7	BACKSHELL NOTES
8	BACKSHELL
9	BACKSHELL CONFIGURATIONS

NOTES: VALID UNLESS OTHERWISE SPECIFIED

1. GENERAL:  
a. APPLICATION SPECIFICATION SEE: AS-33472-100  
-CONTAINS: PRODUCT INTRODUCTION, PRODUCT SUMMARY, CONNECTOR ASSEMBLY, PACKAGING INFORMATION, CONNECTOR MATING, SERVICE INSTRUCTIONS, ELECTRICAL CONTINUITY CHECKING, CRIMPING, AND TROUBLESHOOTING.  
-DESIGNED TO MATE WITH RECEPTACLE SEALED ASSEMBLY AS SPECIFIED IN THE MATING CONNECTOR DRAWINGS CHART.  
\*DENOTES DRAWINGS THAT CAN BE ACCESSED AT <http://ewcap.uscarteams.org/>.  
-ASSEMBLY SHIPPED WITH PLR IN PRE-LOCK POSITION (SEE PLR PRE-LOCK VIEW SHEET 5).

b. PRODUCT SPECIFICATION SEE:  
-STANDARD CONFIGURATION: PS-33472-000  
-UL V0 CONFIGURATION: TBD  
CONTAINS: PRODUCT INTRODUCTION, PRODUCT SUMMARY, RATINGS (CURRENT, TEMPERATURE, SEALING, AND FLAMMABILITY), TERMINALS, WIRE DIAMETER RANGE, PRODUCT VALIDATION, AND PRODUCT DEVIATIONS.

c. PACKAGING SPECIFICATION PER MOLEX DRAWING: PK-31300-635  
d. PARTS MUST BE IN COMPLIANCE TO MOLEX CHEMICAL SUBSTANCES FOR PRODUCTS AND PACKAGING SPECIFICATION: QEHS-699000-300  
e. DATA MUST BE SUBMITTED UNDER THE MOLEX PART NUMBER TO IMDS (COMPANY ID#13255)

2. DESIGN - MATERIALS:  
a. FOR BILL OF MATERIALS SEE:  
-STANDARD CONFIGURATION: SD-33482-0002  
-UL V0 CONFIGURATION: SD-160084-0002

3. DESIGN - GEOMETRY:  
a. THE 3-D CAD DATA IS BASIC (WITHOUT TOLERANCE) AND MASTER FOR THIS PART WITH THE EXCEPTION OF UNDERLINED DIMENSIONS. DIMENSIONAL INFORMATION NOT SHOWN ON THIS DRAWING IS DEFINED BY THE DATA FILE AT ITS LATEST REVISION.  
b. GEOMETRIC DIMENSIONS AND TOLERANCES PER ASME Y14.5M-2009  
c. EDGES AND UNDIMENSIONED DETAILS PER ISO13715  
d. CORNERS SHOWN AS SHARP TO BE R 0.2 MAX.  
e. LETTERING SHALL BE 0.15 MAX RAISED IN 0.25 MAX RECESS PAD. THIS INCLUDES RECYCLING CODE, CAVITY ID, VENDOR IDENTIFICATION, AND CUSTOMER MATERIAL NUMBER.  
f. VISUAL DEFECTS SHALL MEET COSMETIC STANDARD PS-45499-002 (Class B).  
g. LASER MARKING:  
1. PART NUMBER  
2. DAY OF THE YEAR  
3. SHIFT  
4. YEAR  
FOR ADDITIONAL INFORMATION SEE SECTION 5 UNDER PROCEDURES IN ES-34735-008.

MATING CONNECTOR DRAWINGS	
DESCRIPTION	MOLEX INLINE
2X2	SD-33472-0001
2X3	SD-33472-0001
2X4	SD-33472-0001
2X6	SD-33472-0001
2X8	SD-33472-0001
2X10	SD-33472-0001



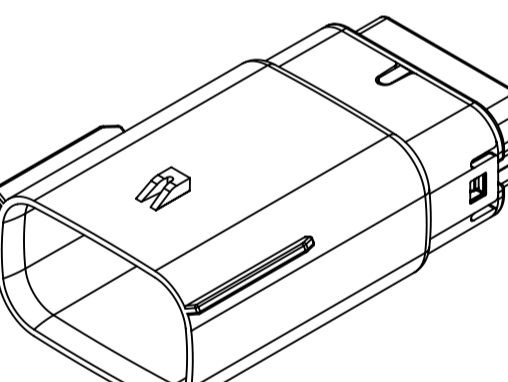
2X2



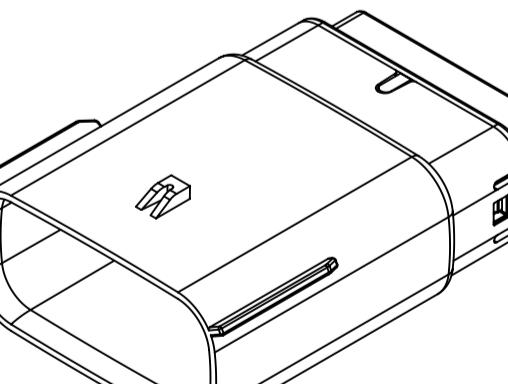
2X3



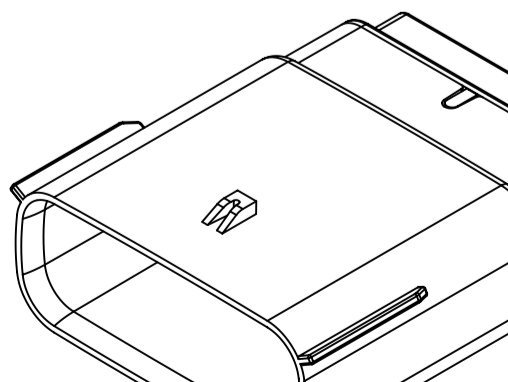
2X4



2X6



2X8



2X10

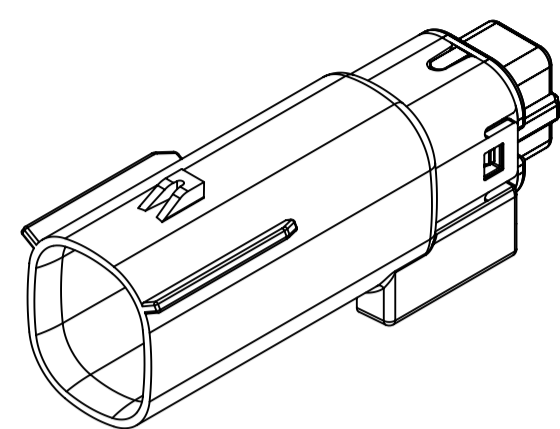


REV	REV DESCRIPTION
E2	ADDED MOLEX BACKSHELL DETAILS
E1	MIGRATED FROM COCREATE AND IMPORTED DXF FILES
E	ADDED CHARTED DIMENSIONS FOR 2X2, 2X4, 2X6 AND 2X8 WITH CLIPSLOT
D	MINOR GEOMETRY CHANGE FOR UL V0
C3	ADD 2X4
C2	ADD 2X3
C1	ADD UL V0 CONFIGURATIONS
C	ADD 2X8
B1	ADD 2X6 BACKSHELL INFO
B	ADD 2X6
A	INITIAL RELEASE
REV	REV DESCRIPTION

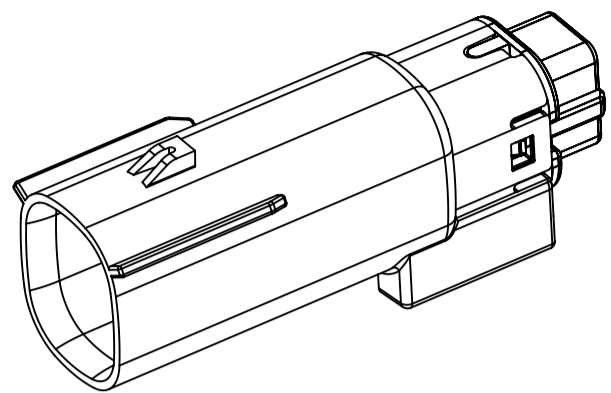
INSPECTION NUMBER LOG	
LAST NUMBER:	9
ADDED:	
REMOVED:	

<b>SYMBOLS</b> = 0 mm = 0 GENERAL TOLERANCES (UNLESS SPECIFIED) = 0 ANGULAR TOL ± 1.0° = 0 4 PLACES ± = 0 3 PLACES ± = 0 2 PLACES ± 0.1 = 0 1 PLACE ± 0.2 = 0 0 PLACES ± = 0 DRAFT WHERE APPLICABLE MUST REMAIN WITHIN DIMENSIONS	THIS DRAWING CONTAINS INFORMATION THAT IS PROPRIETARY TO MOLEX ELECTRONIC TECHNOLOGIES, LLC AND SHOULD NOT BE USED WITHOUT WRITTEN PERMISSION DIMENSION UNITS: mm SCALE: 1.5:1 CURRENT REV DESC: EC NO: 171650 DRWN: PMANJUNATHAC 2018/01/03 CHK'D: MVANSLAMBROU 2018/02/16 APPR: MVANSLAMBROU 2018/02/16 INITIAL REVISION: DRWN: APROFFITT 2014/04/28 APPR: VKOSHY 2014/05/14	 MX150 BLADE DUAL ROW SEALED ASSEMBLY MAT SEAL PRODUCT CUSTOMER DRAWING
	DOCUMENT NUMBER: SD-33482-0001 DOC TYPE: PSD DOC PART: 001 REVISION: E2	MATERIAL NUMBER: GENERAL MARKET CUSTOMER:

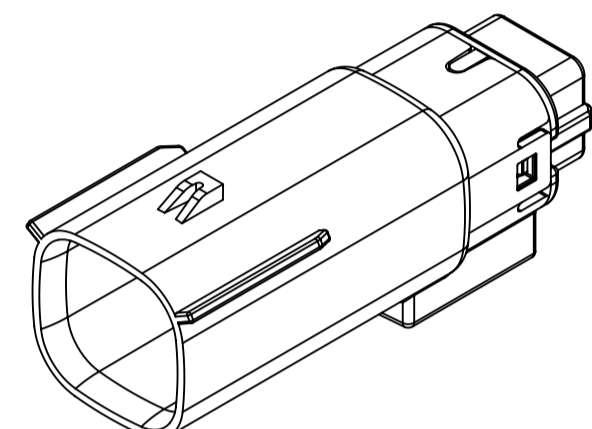
**SHEET DESCRIPTION**  
CONFIGURATIONS



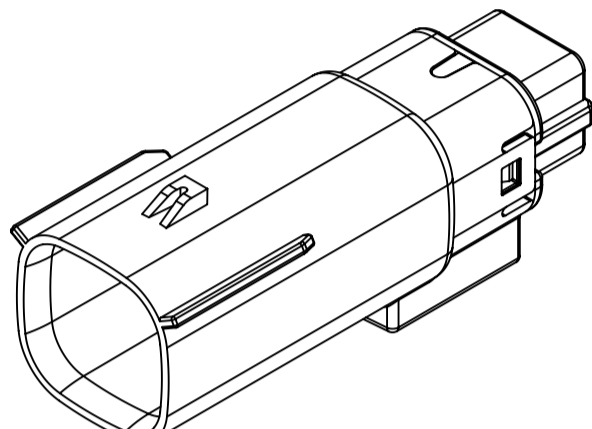
2X2 - STANDARD (STD)



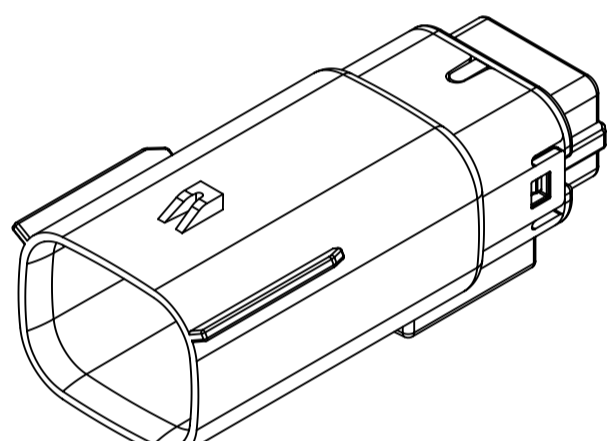
2X2 - UL V0\*



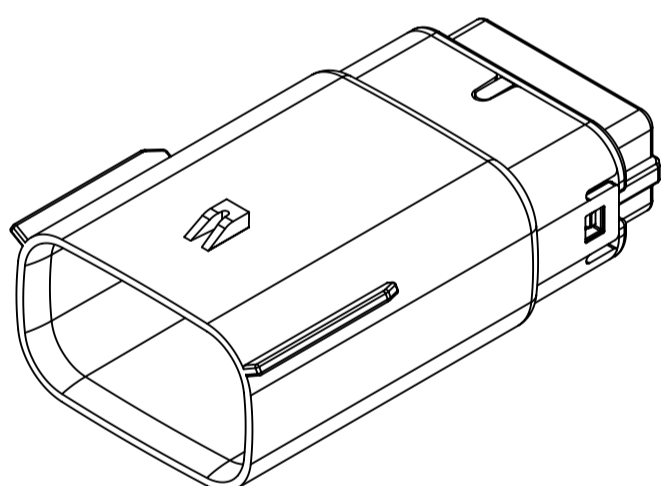
2X3 - STANDARD (STD)



2X3 - LENGTHENED



2X4 - STANDARD (STD)



2X6 - STANDARD (STD)



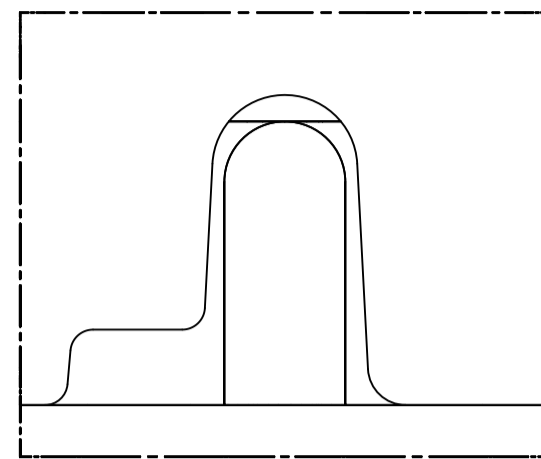
2X8 - STANDARD (STD)



2X10 - STANDARD (STD)



2X10 - UL V0\*



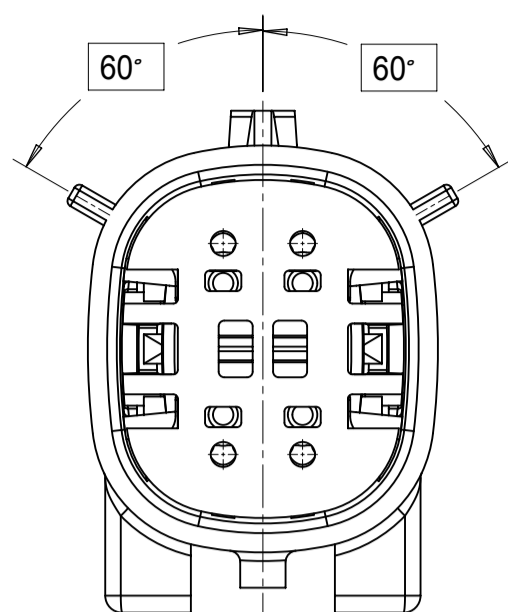
UL V0 UNIQUE FEATURE  
Partial1  
SCALE 10:1

\* MINOR GEOMETRY CHANGE THAN STANDARD CONFIGURATION.  
SEE NOTE 2a FOR MORE INFORMATION

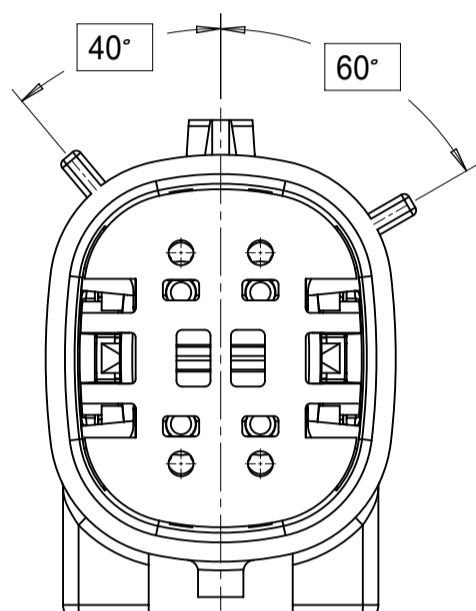
SYMBOLS	THIS DRAWING CONTAINS INFORMATION THAT IS PROPRIETARY TO MOLEX ELECTRONIC TECHNOLOGIES, LLC AND SHOULD NOT BE USED WITHOUT WRITTEN PERMISSION		CURRENT REV DESC:		<b>molex</b>
	DIMENSION UNITS	SCALE			
▽ = 0	mm	1.5:1	EC NO: 171650		MX150 BLADE DUAL ROW SEALED ASSEMBLY MAT SEAL
▽ = 0	GENERAL TOLERANCES (UNLESS SPECIFIED)		DRWN: PMANJUNATHAC 2018/01/03		
▽ = 0	ANGULAR TOL ± 1.0°		CHK'D: MVANSLAMBROU 2018/02/16		
▽ = 0	4 PLACES ±		APPR: MVANSLAMBROU 2018/02/16		
▽ = 0	3 PLACES ±		INITIAL REVISION:		
▽ = 0	2 PLACES ± 0.1		DRWN: APROFFITT 2014/04/28		
▽ = 0	1 PLACE ± 0.2		APPR: VKOSHY 2014/05/14		
▽ = 0	0 PLACES ±		THIRD ANGLE PROJECTION		
▽ = 0	DRAFT WHERE APPLICABLE MUST REMAIN WITHIN DIMENSIONS		DRAWING	SERIES	DOCUMENT NUMBER
			A1-SIZE	33482	SD-33482-0001
					DOC TYPE   DOC PART   REVISION
					PSD   001   E2
					PRODUCT CUSTOMER DRAWING
					CUSTOMER
					GENERAL MARKET
					SHEET NUMBER
					2 OF 11

**SHEET DESCRIPTION**  
KEY CONFIGURATIONS

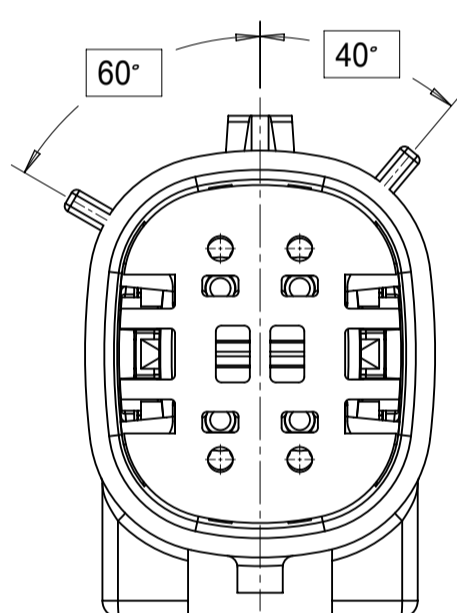
**2X2**



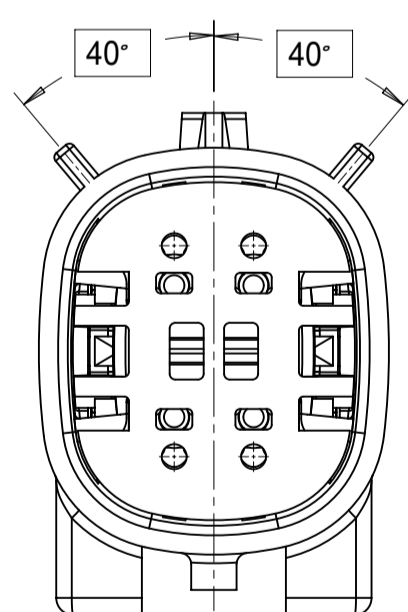
KEY A



KEY B

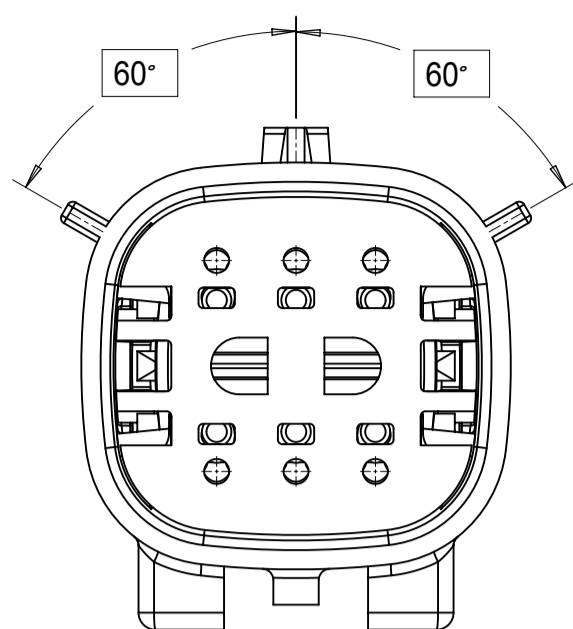


KEY C

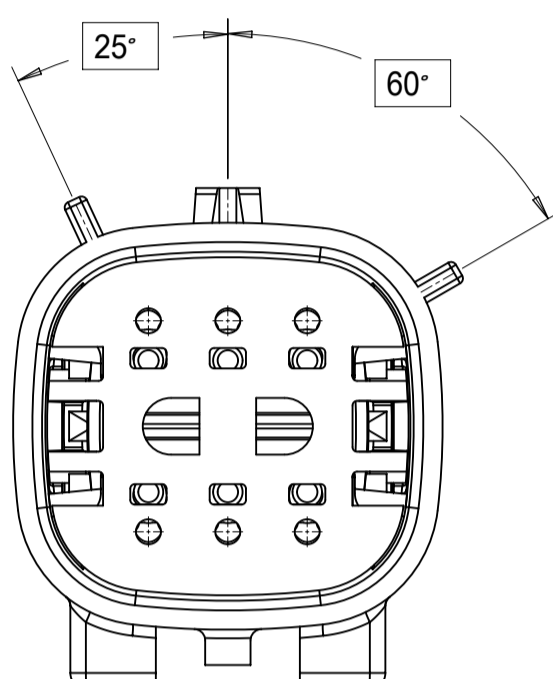


KEY D

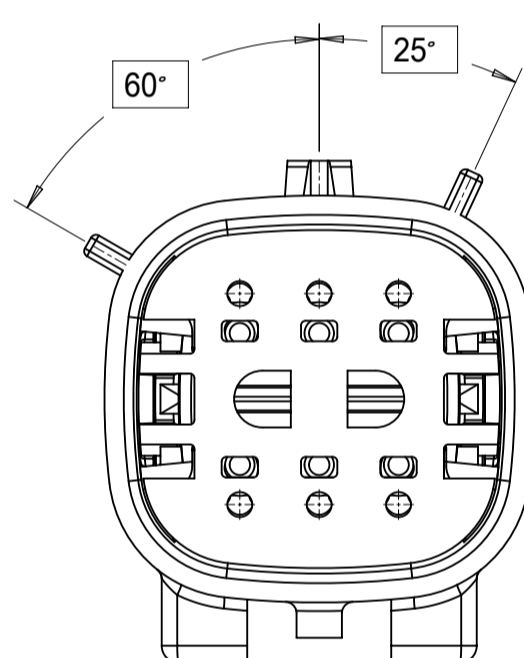
**2X3**



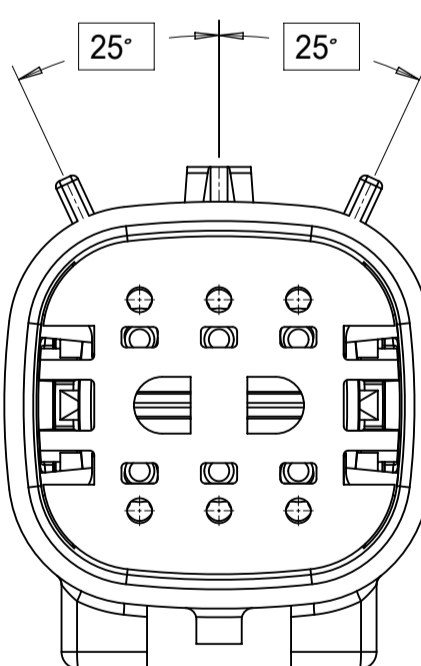
KEY A



KEY B

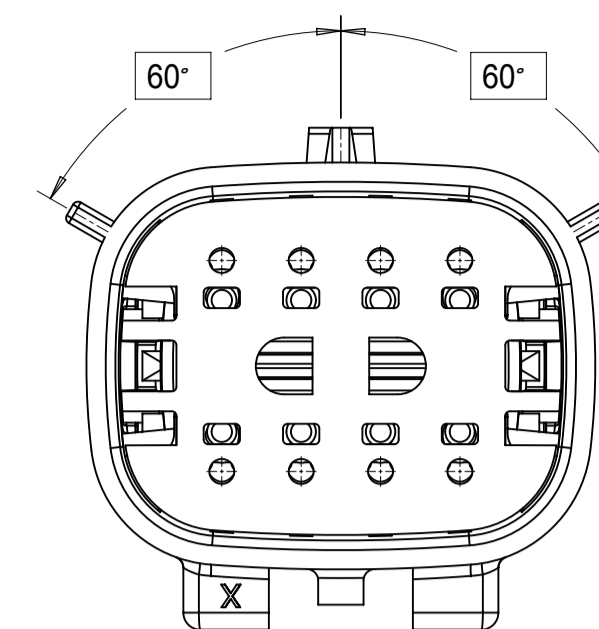


KEY C

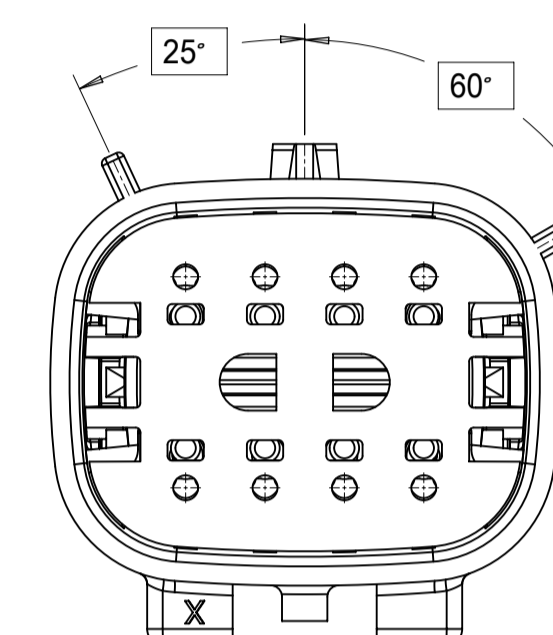


KEY D

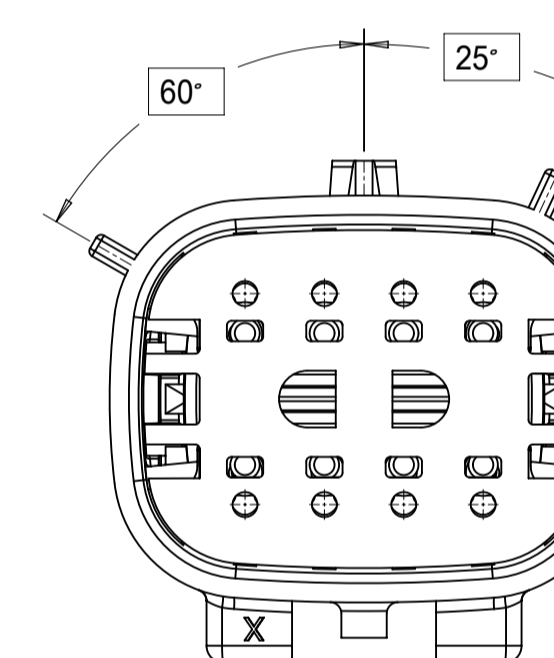
**2X4**



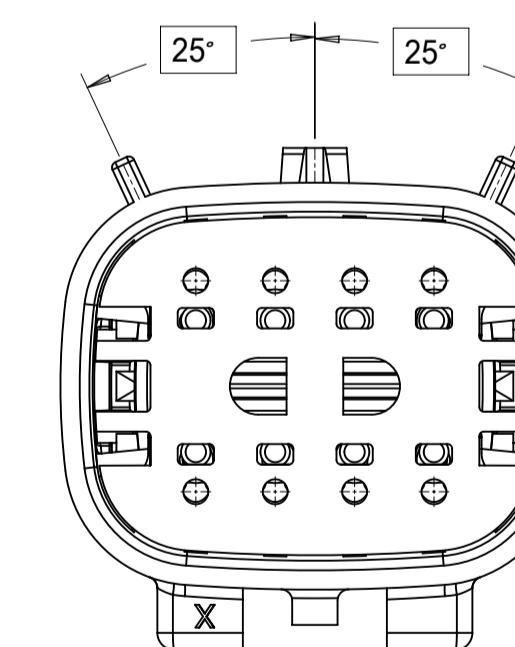
KEY A



KEY B



KEY C



KEY D

THIS DRAWING CONTAINS INFORMATION THAT IS PROPRIETARY TO MOLEX ELECTRONIC TECHNOLOGIES, LLC AND SHOULD NOT BE USED WITHOUT WRITTEN PERMISSION

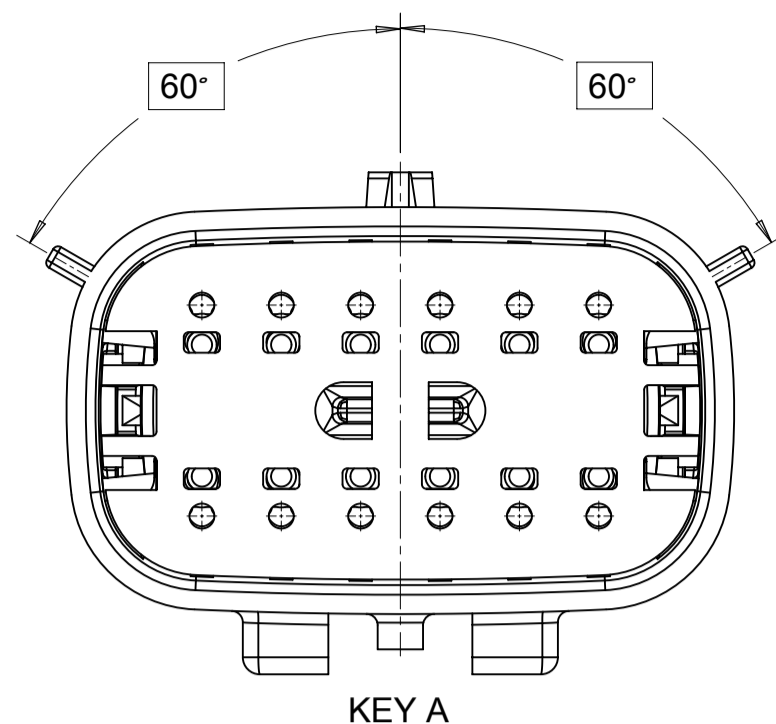
SYMBOLS	DIMENSION UNITS	SCALE
	mm	3:1
	GENERAL TOLERANCES (UNLESS SPECIFIED)	
	ANGULAR TOL ± 1.0°	
	4 PLACES	±
	3 PLACES	±
	2 PLACES	± 0.1
	1 PLACE	± 0.2
	0 PLACES	±
	DRAFT WHERE APPLICABLE MUST REMAIN WITHIN DIMENSIONS	

CURRENT REV DESC:		
EC NO:	171650	
DRWN:	PMANJUNATHAC	2018/01/03
CHK'D:	MVANSLAMBROU	2018/02/16
APPR:	MVANSLAMBROU	2018/02/16
INITIAL REVISION:		
DRWN:	APROFFITT	2014/04/28
APPR:	VKOSHY	2014/05/14
THIRD ANGLE PROJECTION	DRAWING	SERIES
	A1-SIZE	33482

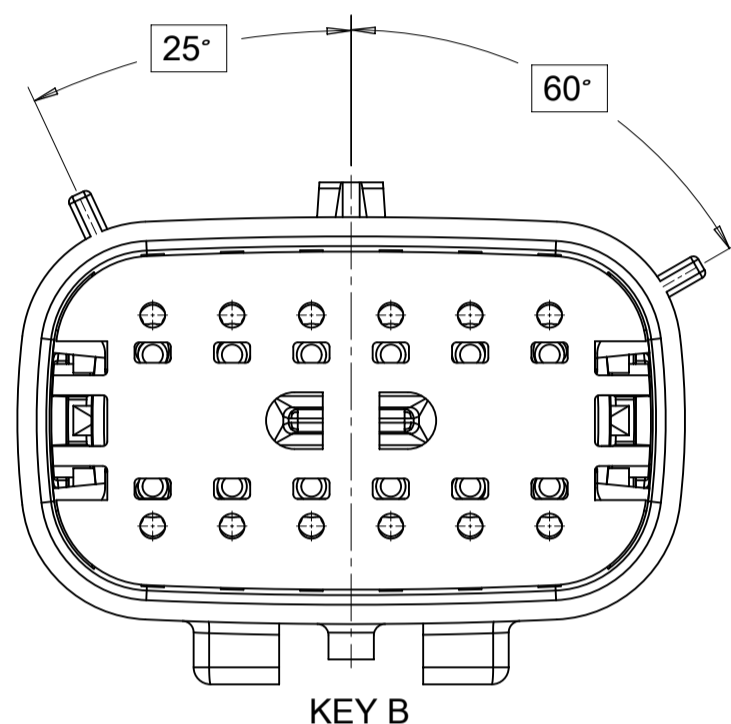
<b>molex</b>		
MX150 BLADE DUAL ROW SEALED ASSEMBLY MAT SEAL		
PRODUCT CUSTOMER DRAWING		
DOCUMENT NUMBER	DOC TYPE	DOC PART
SD-33482-0001	PSD	001
MATERIAL NUMBER	CUSTOMER	SHEET NUMBER
	GENERAL MARKET	3 OF 11

**SHEET DESCRIPTION**  
KEY CONFIGURATIONS CONT.

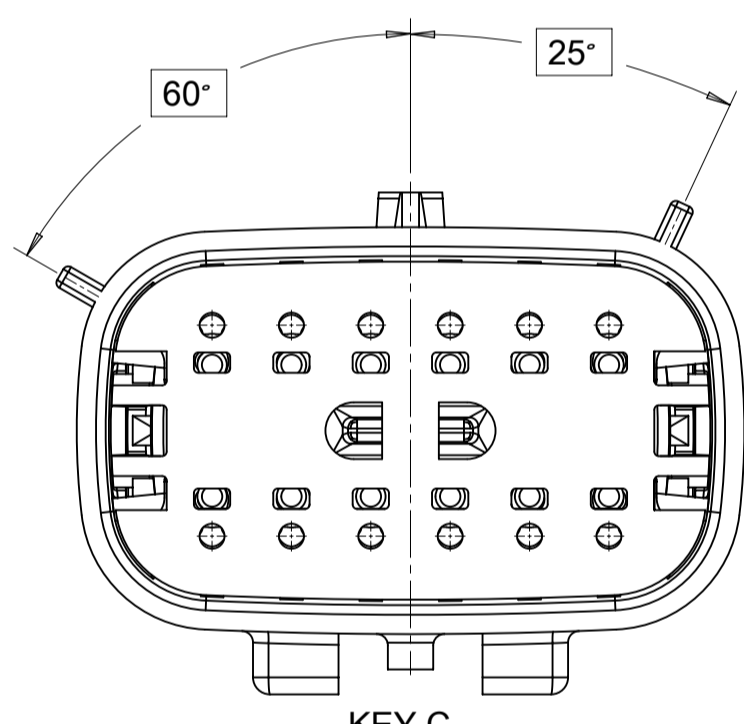
2X6



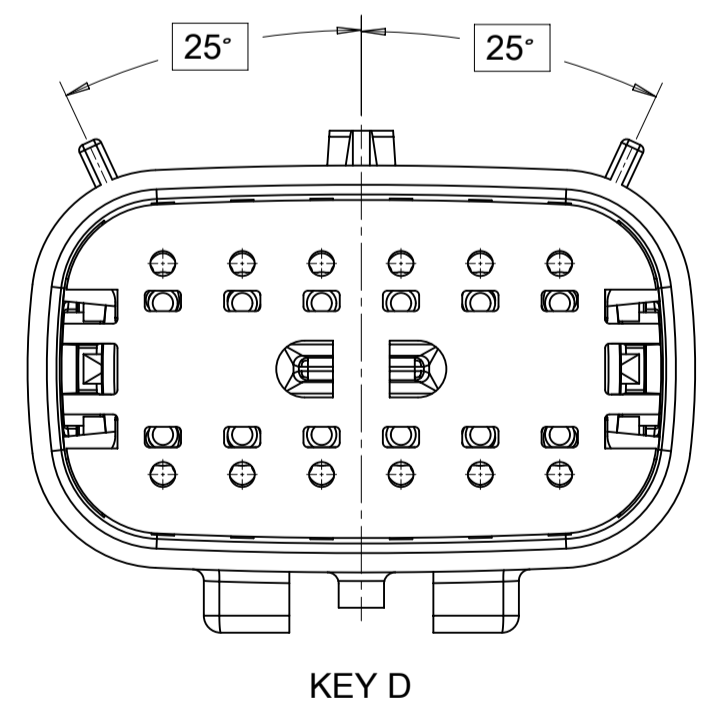
KEY A



KEY B

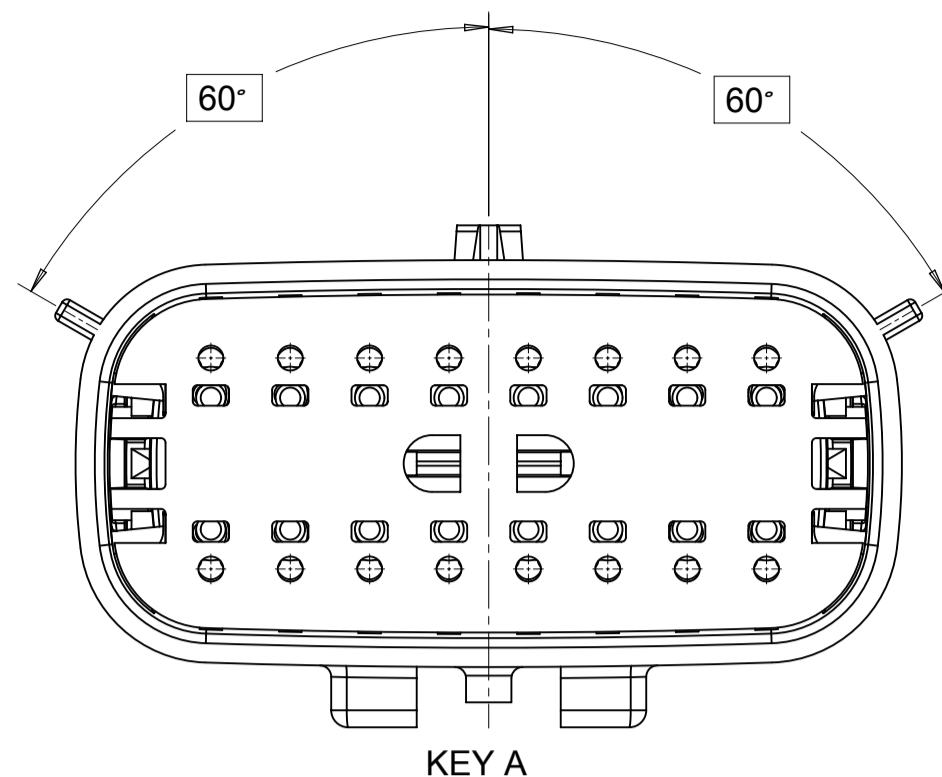


KEY C

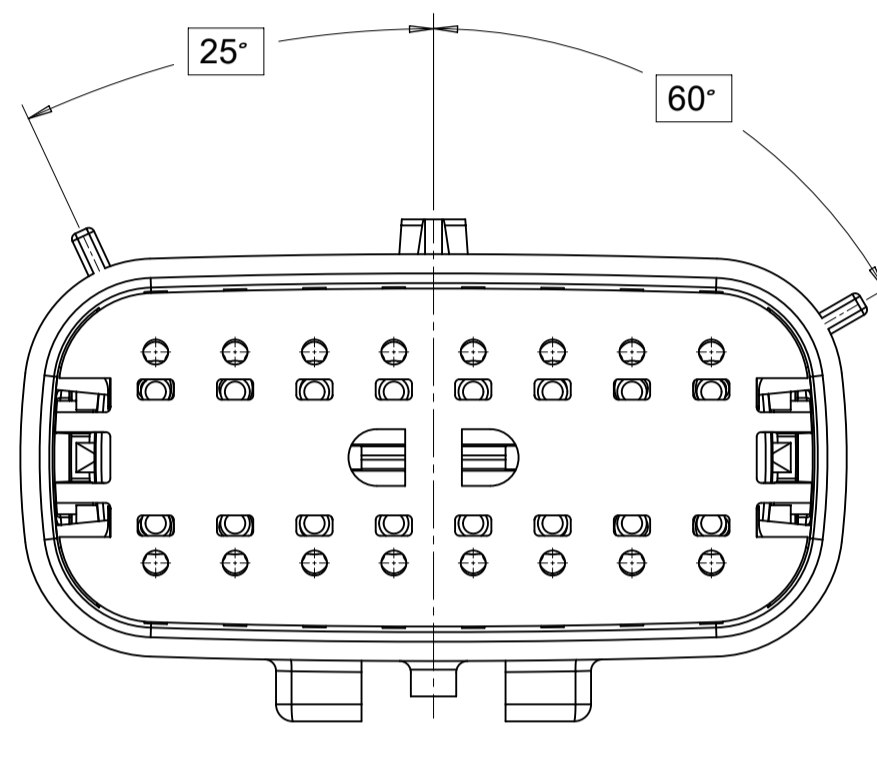


KEY D

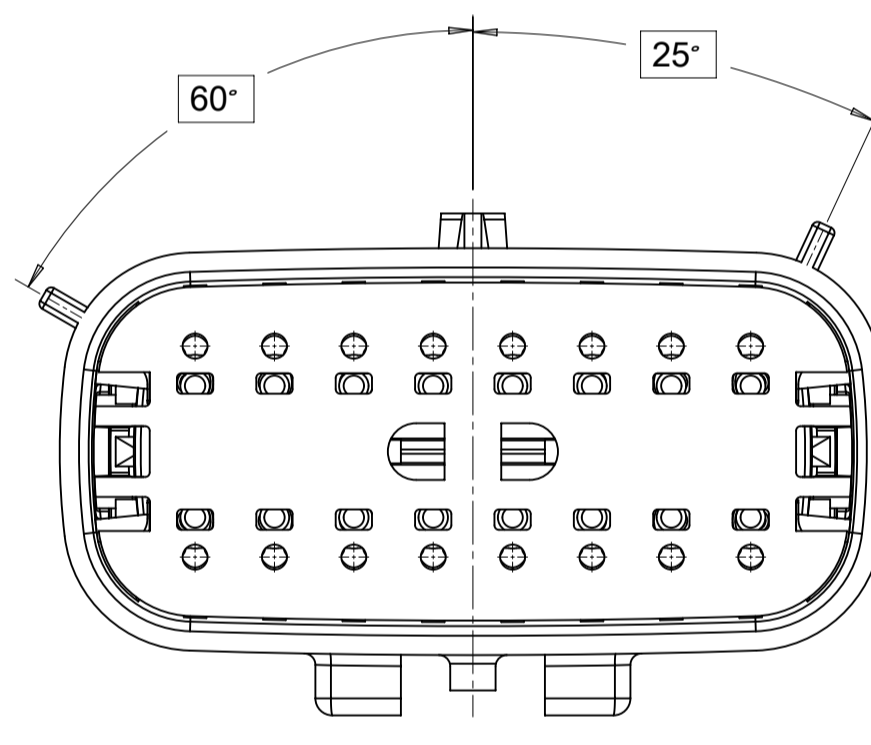
2X8



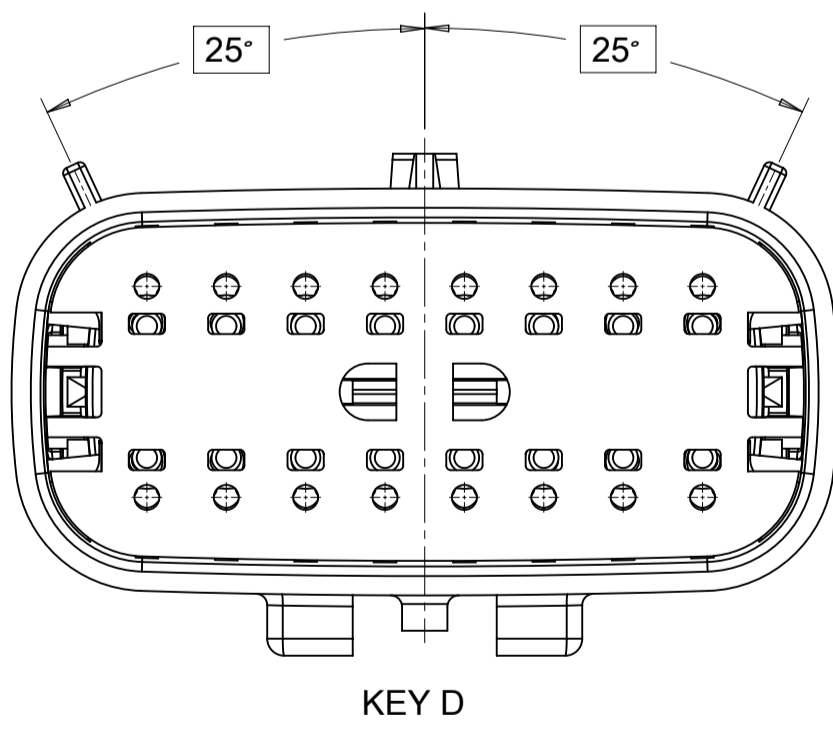
KEY A



KEY B

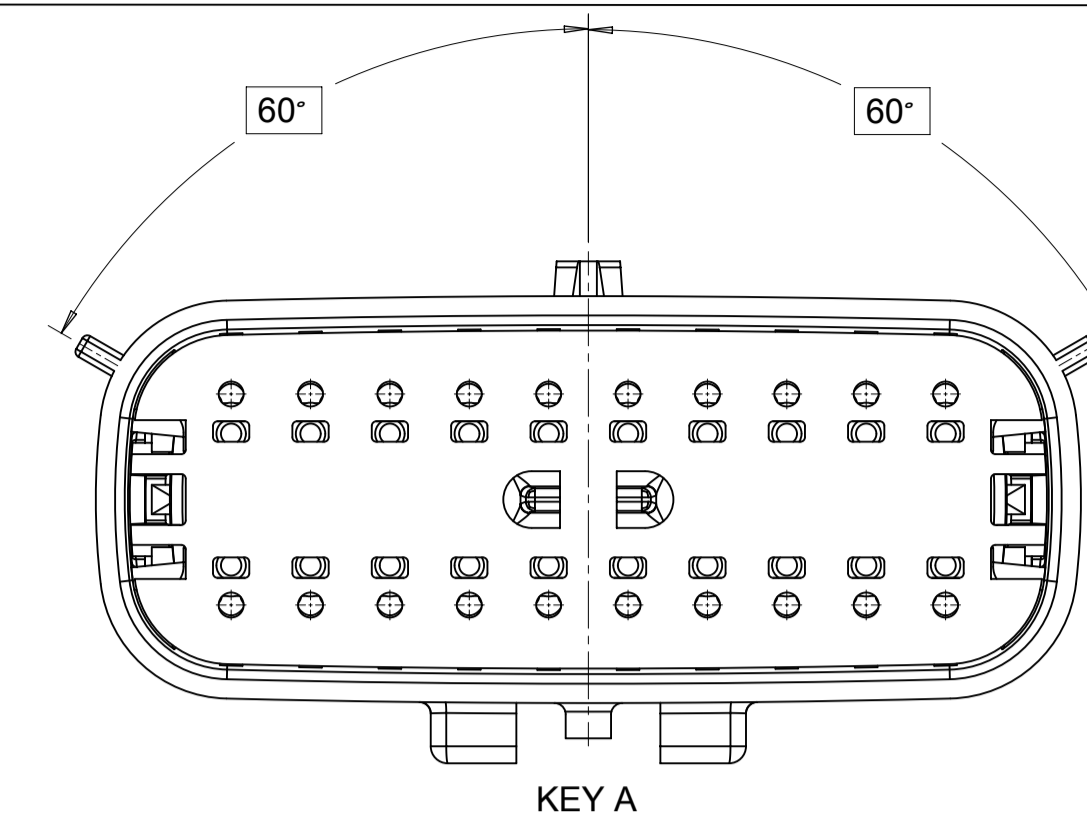


KEY C

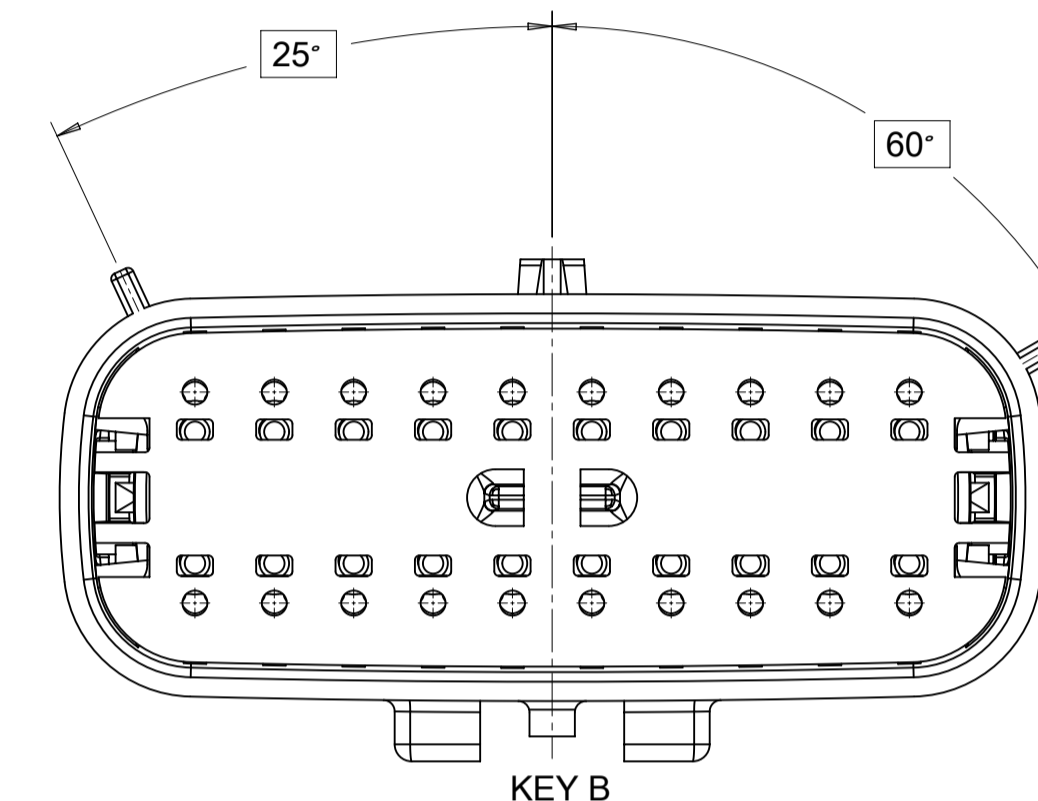


KEY D

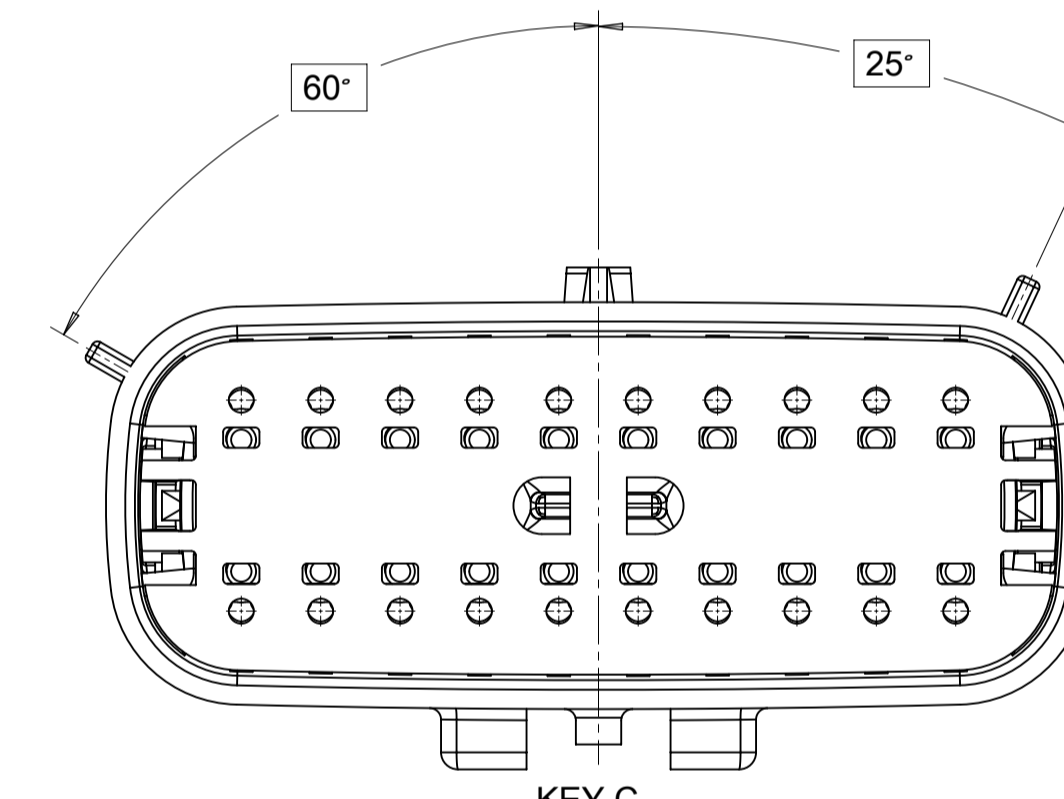
2X10



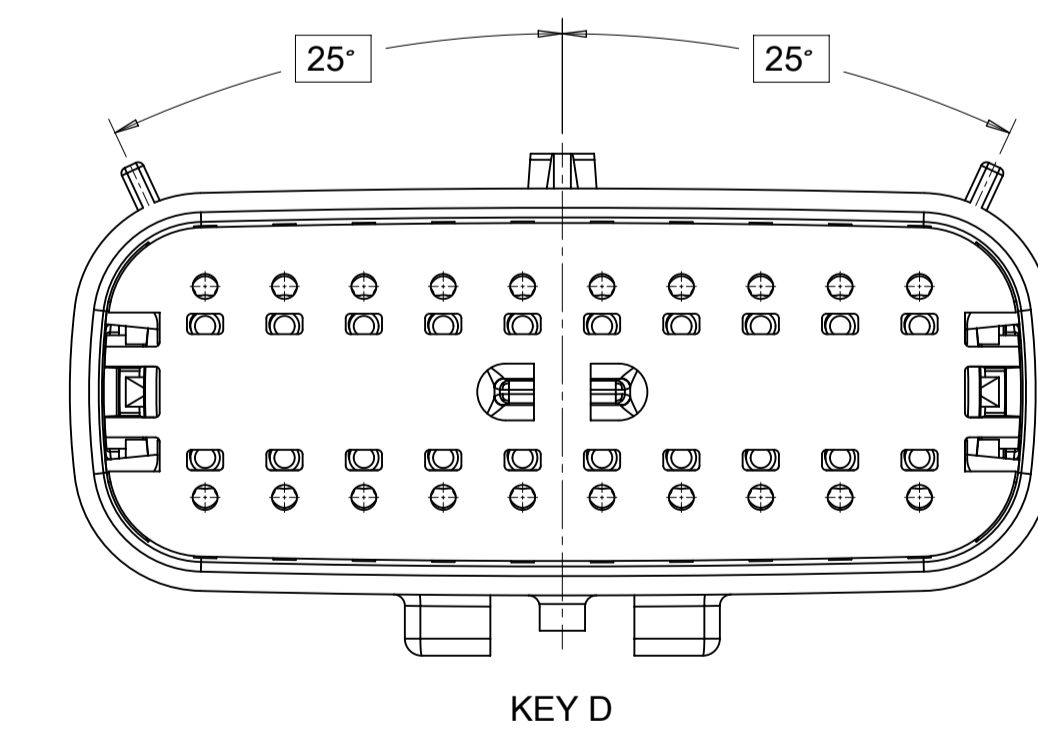
KEY A



KEY B



KEY C



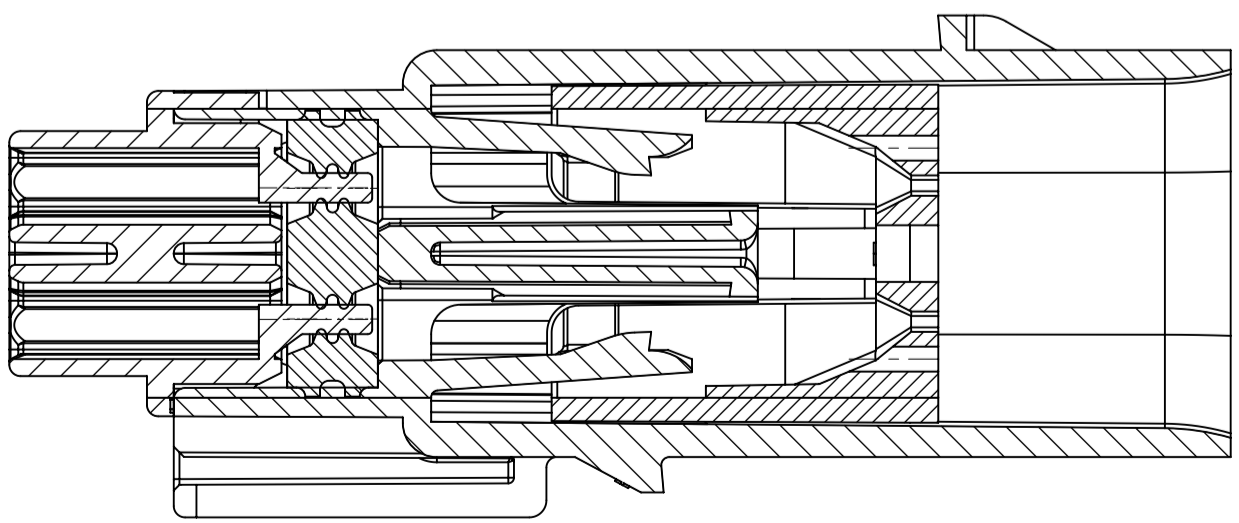
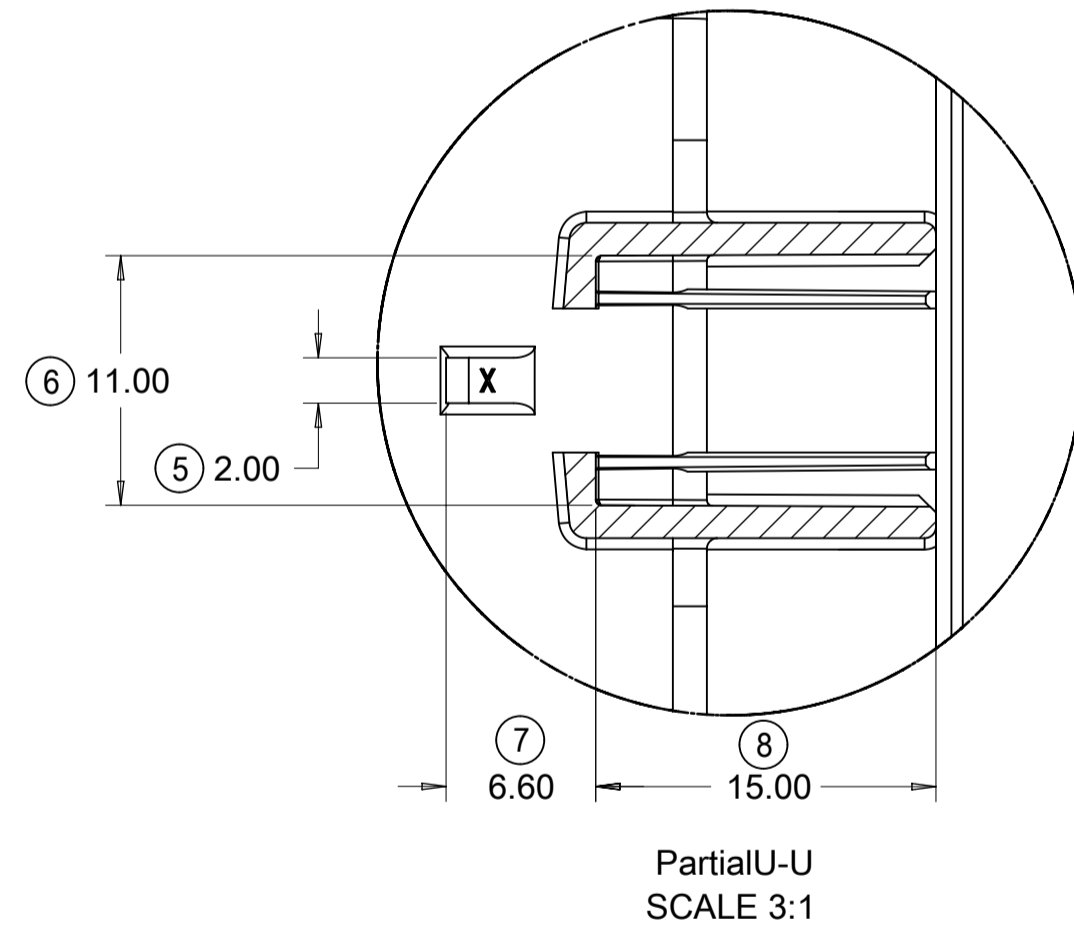
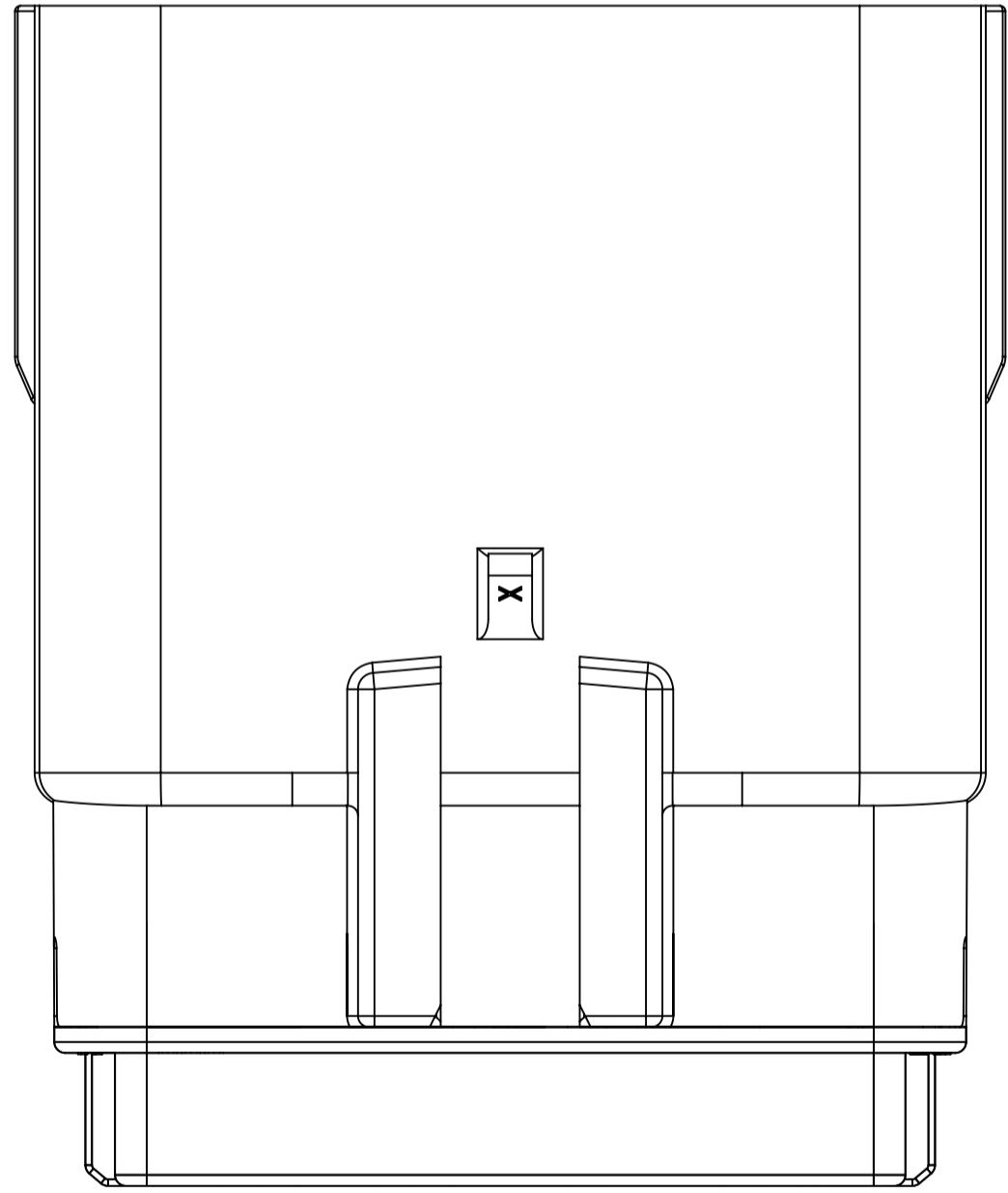
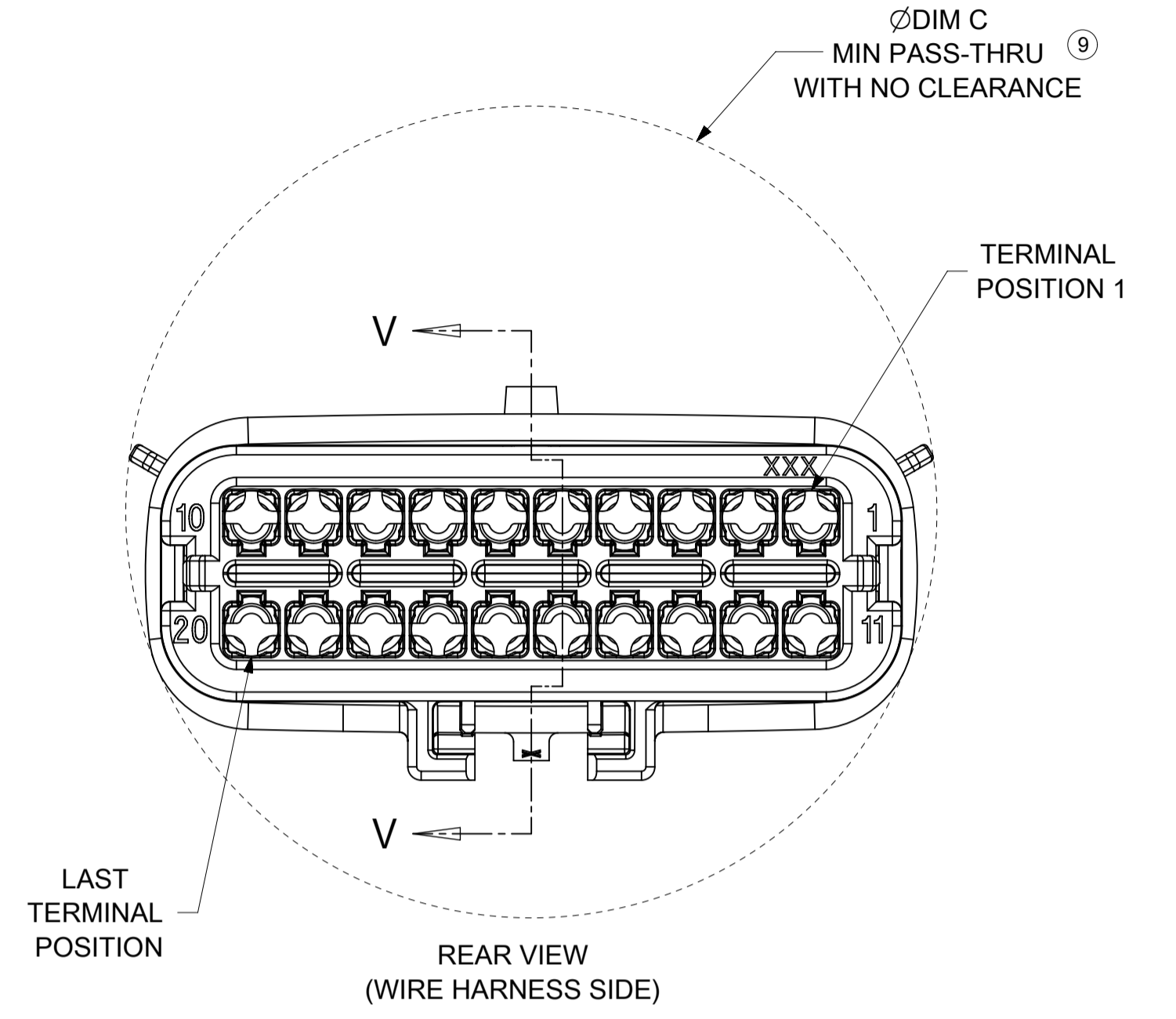
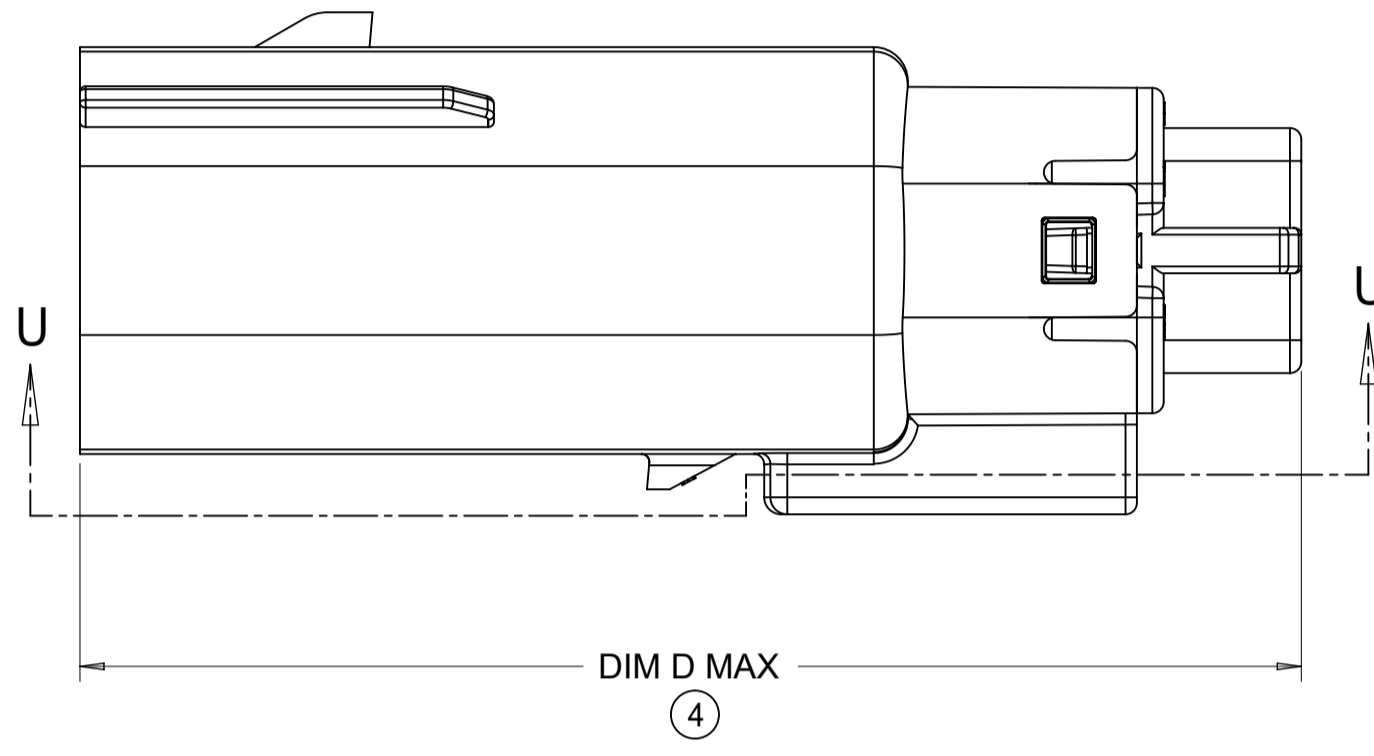
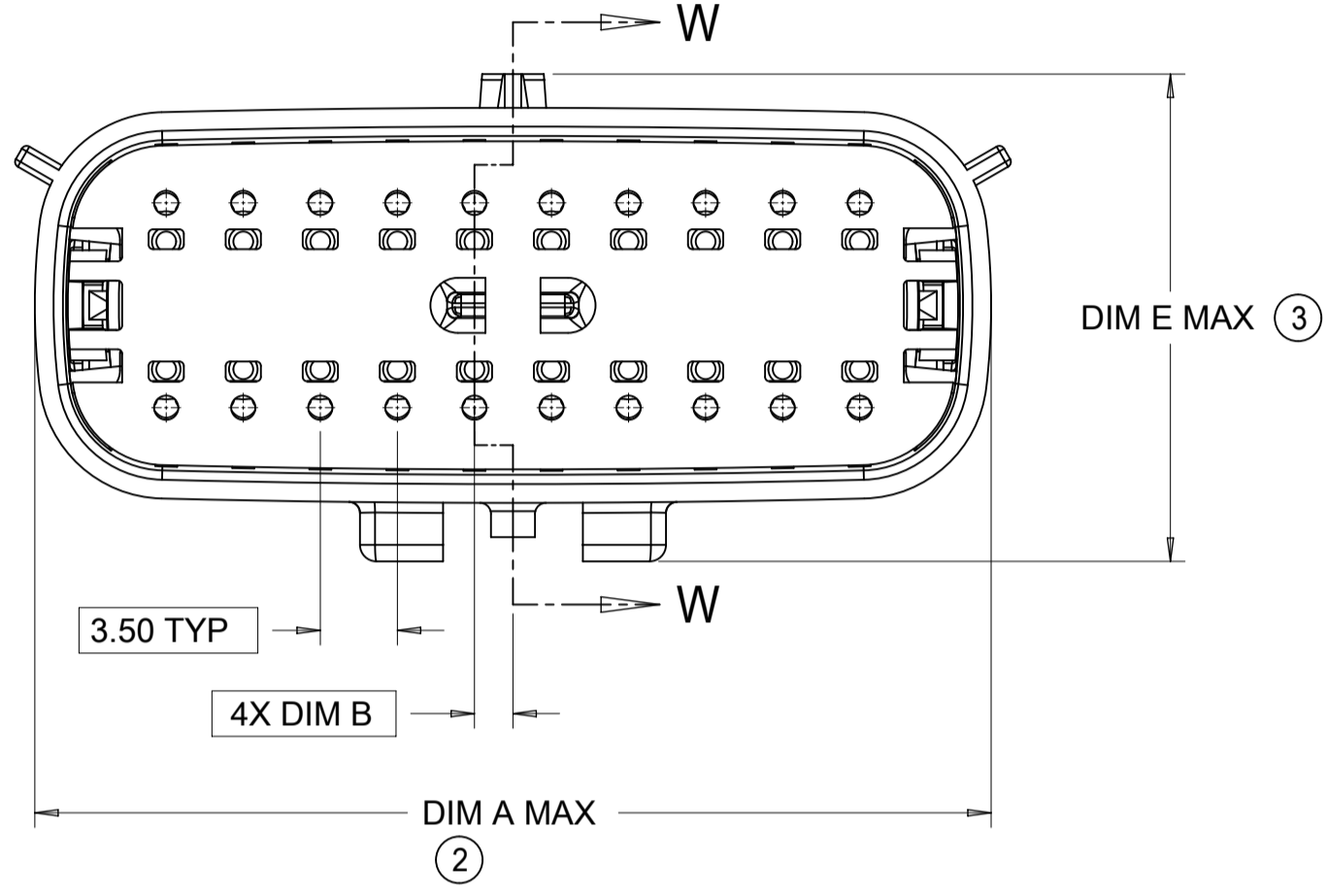
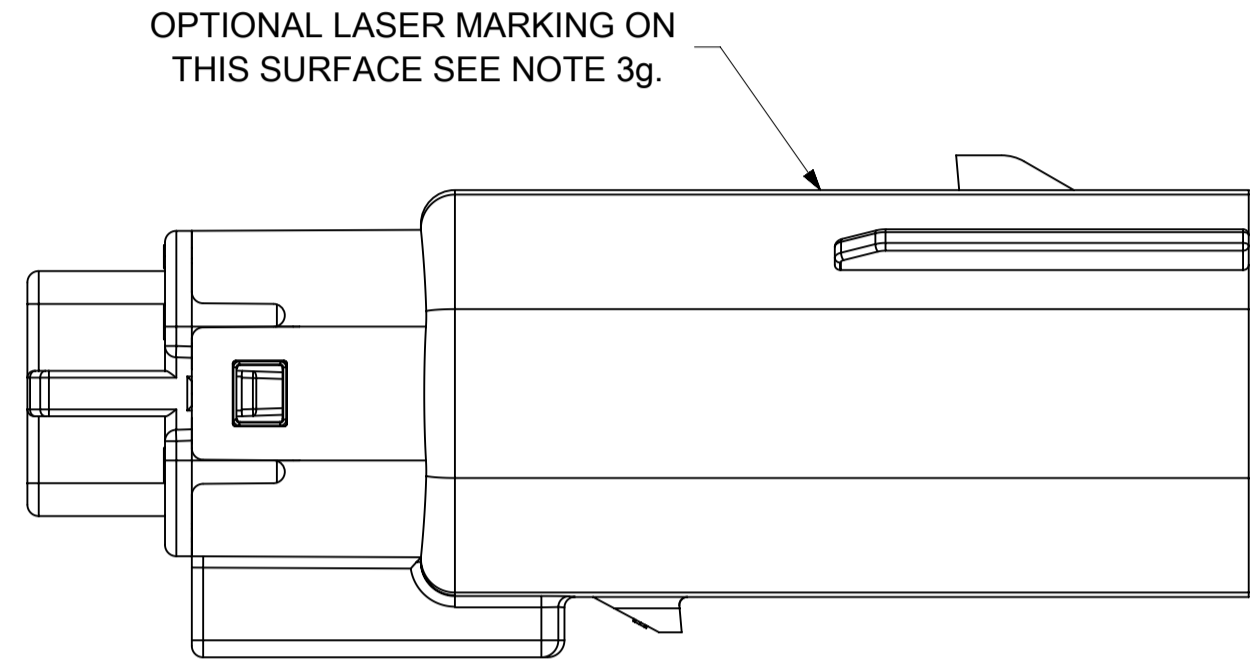
KEY D

SYMBOLS	THIS DRAWING CONTAINS INFORMATION THAT IS PROPRIETARY TO MOLEX ELECTRONIC TECHNOLOGIES, LLC AND SHOULD NOT BE USED WITHOUT WRITTEN PERMISSION		CURRENT REV DESC:		
	DIMENSION UNITS	SCALE			
▽ = 0	mm	3:1			MX150 BLADE DUAL ROW SEALED ASSEMBLY MAT SEAL
▽ = 0	GENERAL TOLERANCES (UNLESS SPECIFIED)				
▽ = 0	ANGULAR TOL ± 1.0°		EC NO: 171650		PRODUCT CUSTOMER DRAWING
▽ = 0	4 PLACES ±		DRWN: PMANJUNATHAC 2018/01/03		
▽ = 0	3 PLACES ±		CHK'D: MVANSLAMBROU 2018/02/16		DOCUMENT NUMBER: SD-33482-0001 DOC TYPE: PSD DOC PART: 001 REVISION: E2
▽ = 0	2 PLACES ± 0.1		APPR: MVANSLAMBROU 2018/02/16		
▽ = 0	1 PLACE ± 0.2		INITIAL REVISION:		MATERIAL NUMBER: 33482 CUSTOMER: GENERAL MARKET SHEET NUMBER: 4 OF 11
▽ = 0	0 PLACES ±		DRWN: APROFFITT 2014/04/28		
▽ = 0	DRAFT WHERE APPLICABLE MUST REMAIN WITHIN DIMENSIONS		THIRD ANGLE PROJECTION	DRAWING: A1-SIZE	SERIES: 33482
▽ = 0					



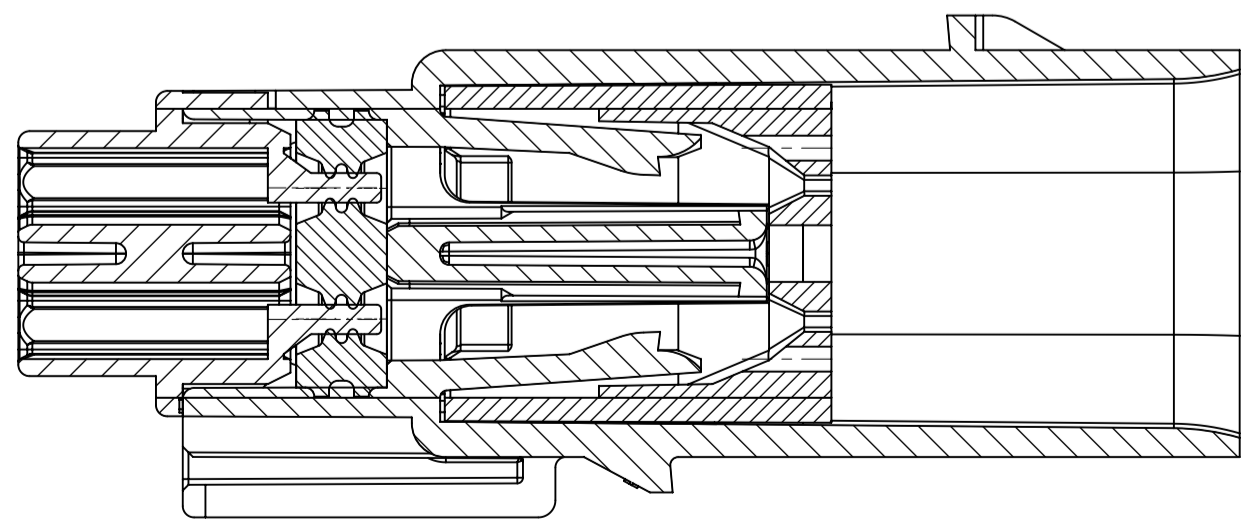
**SHEET DESCRIPTION**  
BLADE SEALED ASSEMBLY

CHARTED DIMENSION					
DESCRIPTION	DIMENSIONS				
	A	B	C	D	E
2X2	15.54	1.75	24.40	54.45	22.23
2X3 STANDARD	19.04	3.50	26.21	54.45	22.23
2X3 LENGTHENED	19.04	3.50	26.21	56.45	22.23
2X4	22.54	1.75	27.21	54.45	22.23
2X6	29.54	1.75	32.27	54.45	22.23
2X8	36.54	1.75	38.88	54.45	22.23
2X10	43.64	1.75	45.65	54.45	22.05



PRIMARY LOCK REINFORCEMENT (PLR) SHOWN IN PRE-STAGED POSITION

SECTION W-W



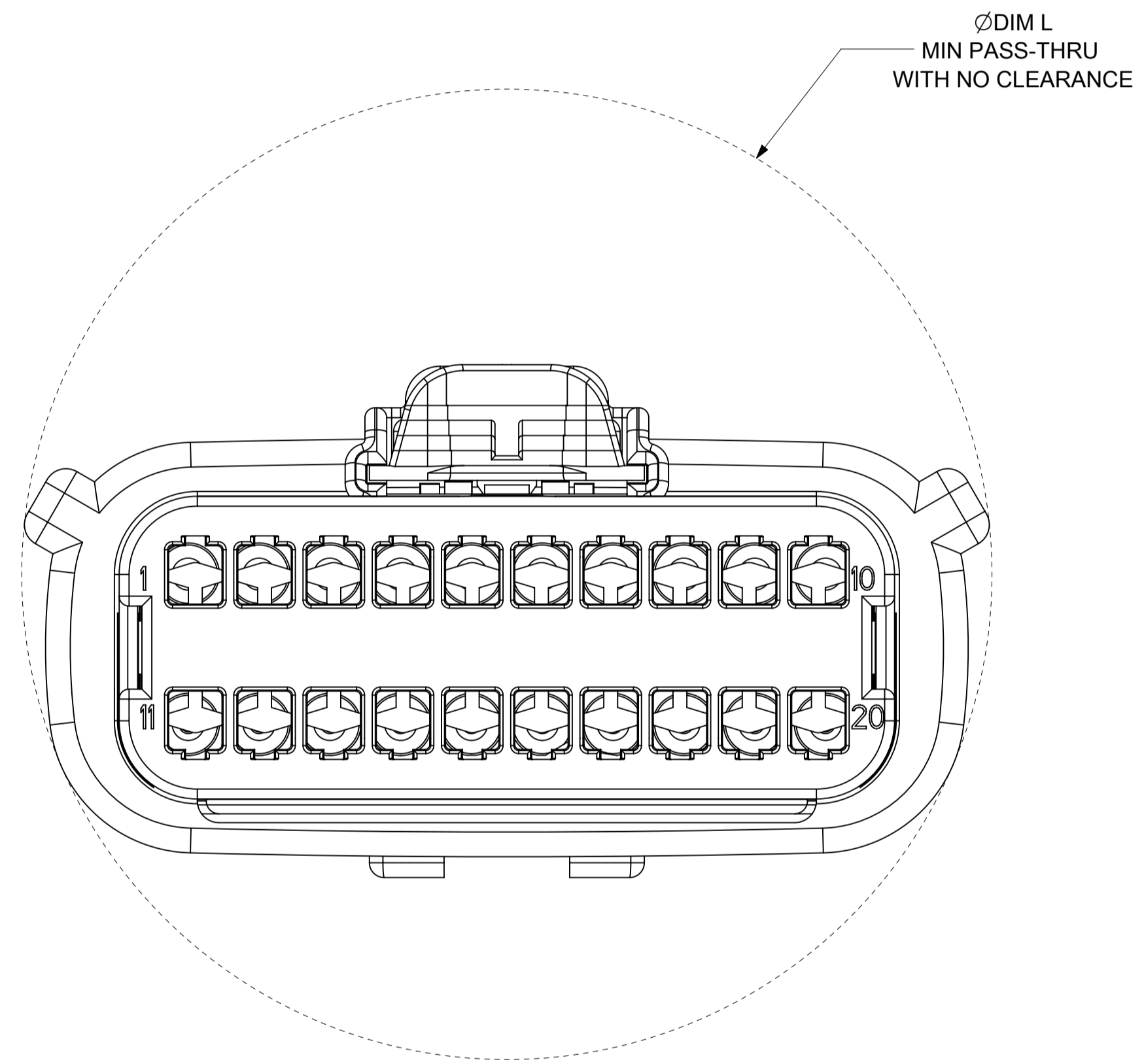
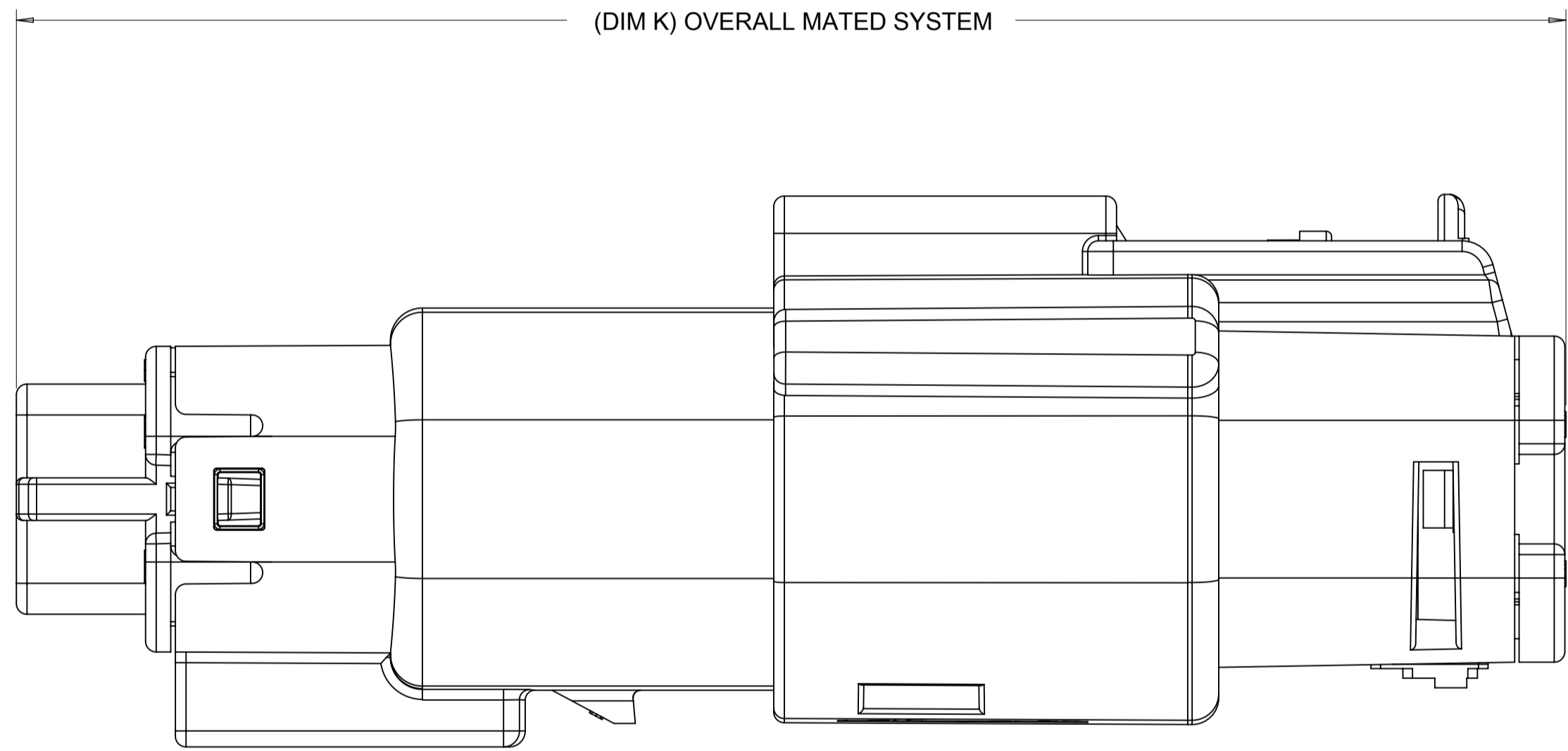
PRIMARY LOCK REINFORCEMENT (PLR) SHOWN IN FINAL-LOCK POSITION

SECTION V-V

SYMBOLS		THIS DRAWING CONTAINS INFORMATION THAT IS PROPRIETARY TO MOLEX ELECTRONIC TECHNOLOGIES, LLC AND SHOULD NOT BE USED WITHOUT WRITTEN PERMISSION		CURRENT REV DESC:		molex		
▽ = 0	DIMENSION UNITS	mm	SCALE	3:1		MX150 BLADE		
▽ = 0	GENERAL TOLERANCES (UNLESS SPECIFIED)			EC NO: 171650		DUAL ROW SEALED ASSEMBLY MAT SEAL		
▽ = 0	ANGULAR TOL ± 1.0°			DRWN: PMANJUNATHAC 2018/01/03		PRODUCT CUSTOMER DRAWING		
▽ = 0	4 PLACES	±		CHK'D: MVANSLAMBROU 2018/02/16		DOCUMENT NUMBER		
▽ = 0	3 PLACES	±		APPR: MVANSLAMBROU 2018/02/16		DOC TYPE   DOC PART   REVISION		
▽ = 0	2 PLACES	±	0.1	INITIAL REVISION:		SD-33482-0001		
▽ = 0	1 PLACE	±	0.2	DRWN: APROFFITT 2014/04/28		PSD   001   E2		
▽ = 0	0 PLACES	±		APPR: VKOSHY 2014/05/14		MATERIAL NUMBER		
▽ = 0	DRAFT WHERE APPLICABLE MUST REMAIN WITHIN DIMENSIONS			THIRD ANGLE PROJECTION		CUSTOMER		
▽ = 0			DRAWING		SERIES		SHEET NUMBER	
		A1-SIZE		33482		GENERAL MARKET		
						5 OF 11		

**SHEET DESCRIPTION**  
SYSTEM PACKAGING

CHARTED DIMENSION				
CKT	BLADE CONFIGURATION	RECEPTACLE CONFIGURATION	DIMENSIONS	
			K	L
2X2	STANDARD	W/O CLIPSLOT	72.78	28.00
		W/ CLIPSLOT	72.78	28.50
		LENGTHENED	77.21	28.00
2X3	STANDARD	W/O CLIPSLOT	72.78	28.00
		W/ CLIPSLOT		30.50
	LENGTHENED	W/O CLIPSLOT	74.79	28.00
		W/ CLIPSLOT		30.50
2X4	STANDARD	W/O CLIPSLOT	72.78	29.50
		W/ CLIPSLOT		31.50
2X6	STANDARD	W/O CLIPSLOT	72.79	35.58
		W/ CLIPSLOT		
2X8	STANDARD	W/O CLIPSLOT	72.67	42.25
		W/ CLIPSLOT		
2X10	STANDARD	STANDARD	72.78	49.05

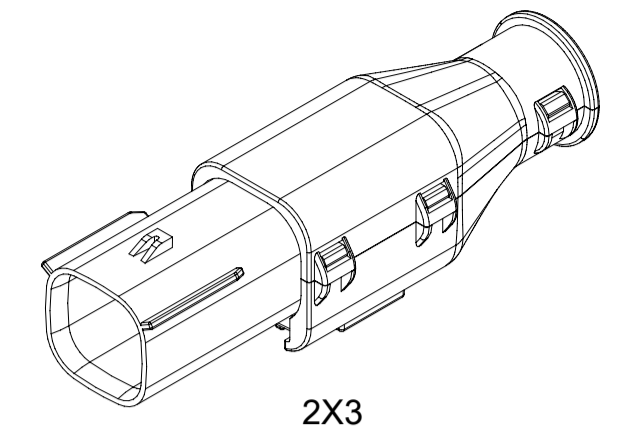


<b>SYMBOLS</b> ▽ = 0 ▽ = 0 ▽ = 0 ▽ = 0 ▽ = 0 ▽ = 0 ▽ = 0 ▽ = 0 ▽ = 0 ▽ = 0	THIS DRAWING CONTAINS INFORMATION THAT IS PROPRIETARY TO MOLEX ELECTRONIC TECHNOLOGIES, LLC AND SHOULD NOT BE USED WITHOUT WRITTEN PERMISSION	DIMENSION UNITS	SCALE	CURRENT REV DESC:						
	mm	4:1	EC NO: 171650 DRWN: PMANJUNATHAC 2018/01/03 CHK'D: MVANSLAMBROU 2018/02/16 APPR: MVANSLAMBROU 2018/02/16							
	GENERAL TOLERANCES (UNLESS SPECIFIED)				INITIAL REVISION:			DOCUMENT NUMBER		
	ANGULAR TOL ± 1.0°				DRWN: APROFFITT 2014/04/28			SD-33482-0001		
	4 PLACES ±				APPR: VKOSHY 2014/05/14			DOC TYPE   DOC PART   REVISION		
	3 PLACES ±				DRAFT WHERE APPLICABLE MUST REMAIN WITHIN DIMENSIONS			PSD   001   E2		
	2 PLACES ± 0.1				THIRD ANGLE PROJECTION			MATERIAL NUMBER		
	1 PLACE ± 0.2				DRAWING			CUSTOMER		
	0 PLACES ±				A1-SIZE			GENERAL MARKET		
	0 PLACES ±				SERIES			SHEET NUMBER		
				33482			6 OF 11			

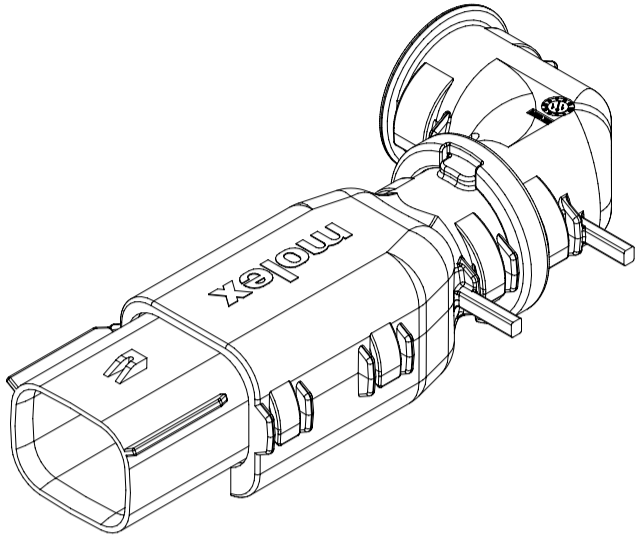
**SHEET DESCRIPTION**  
**BACKSHELL NOTES**

BACKSHELL NOTES: VALID UNLESS OTHERWISE SPECIFIED

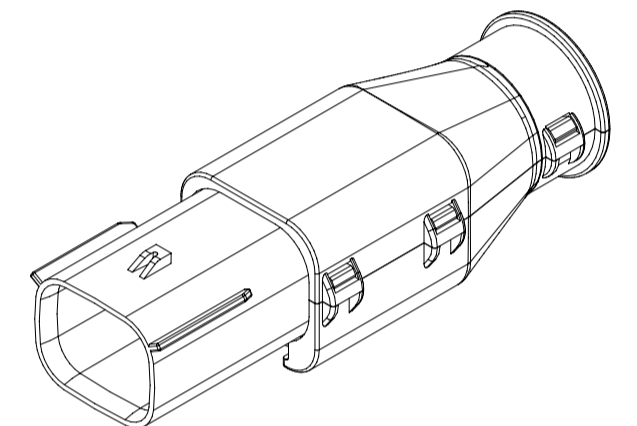
1. GENERAL:  
a. APPLICATION SPECIFICATION SEE: AS-34951-001  
-DESIGNED TO MATE WITH BLADE SEALED ASSEMBLY SPECIFIED IN MOLEX DRAWING SD-33482-0001.  
-SYSTEM TO BE USED WITH WIRE WITHIN DIAMETER RANGE OF 1.2mm TO 2.69mm.  
-COMPONENTS ARE OPTIONAL AND MUST BE PURCHASED SEPERATELY.  
-DESIGN IS OWNED BY SCHLEMMER FOR SCHLEMMER BACKSHELL.  
-DESIGN IS OWNED BY MOLEX FOR MOLEX BACKSHELL.  
-90° ADAPTOR DESIGN IS OWNED BY MOLEX.  
-FOR ADDITIONAL INFORMATION SEE THE BACKSHELL COMPONENT DRAWING SD-34950-0001.



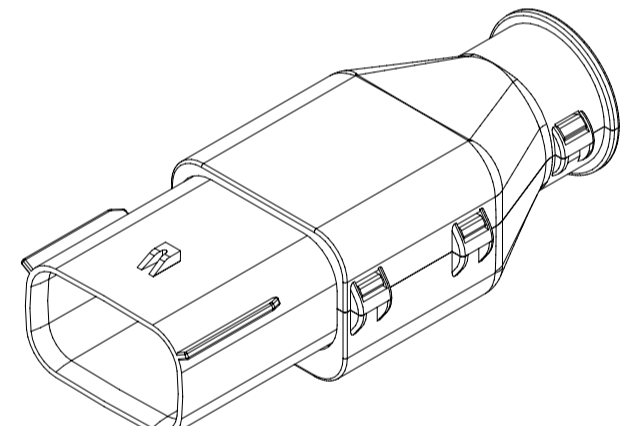
2X3



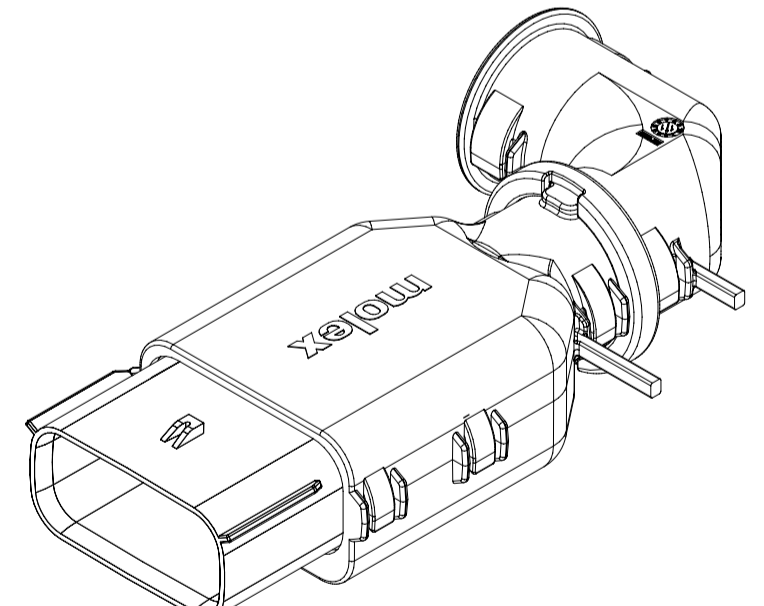
2X4



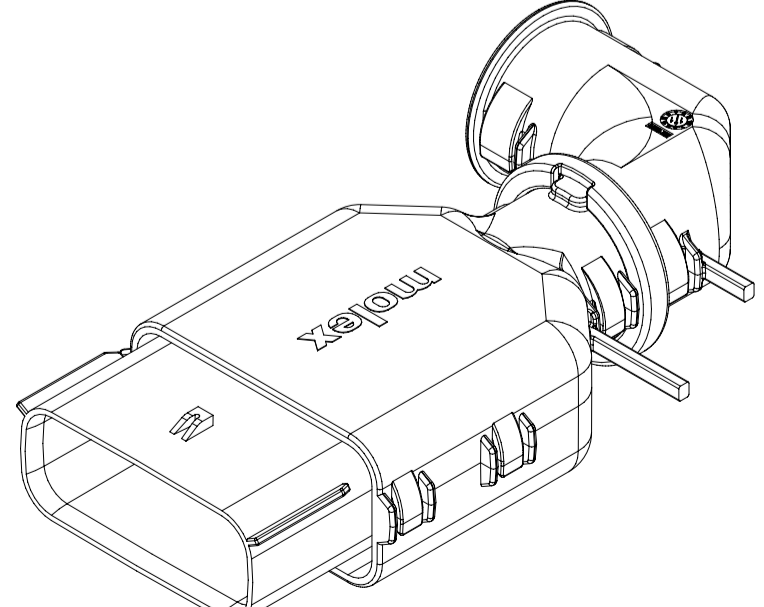
2X4



2X6



2X8



2X10

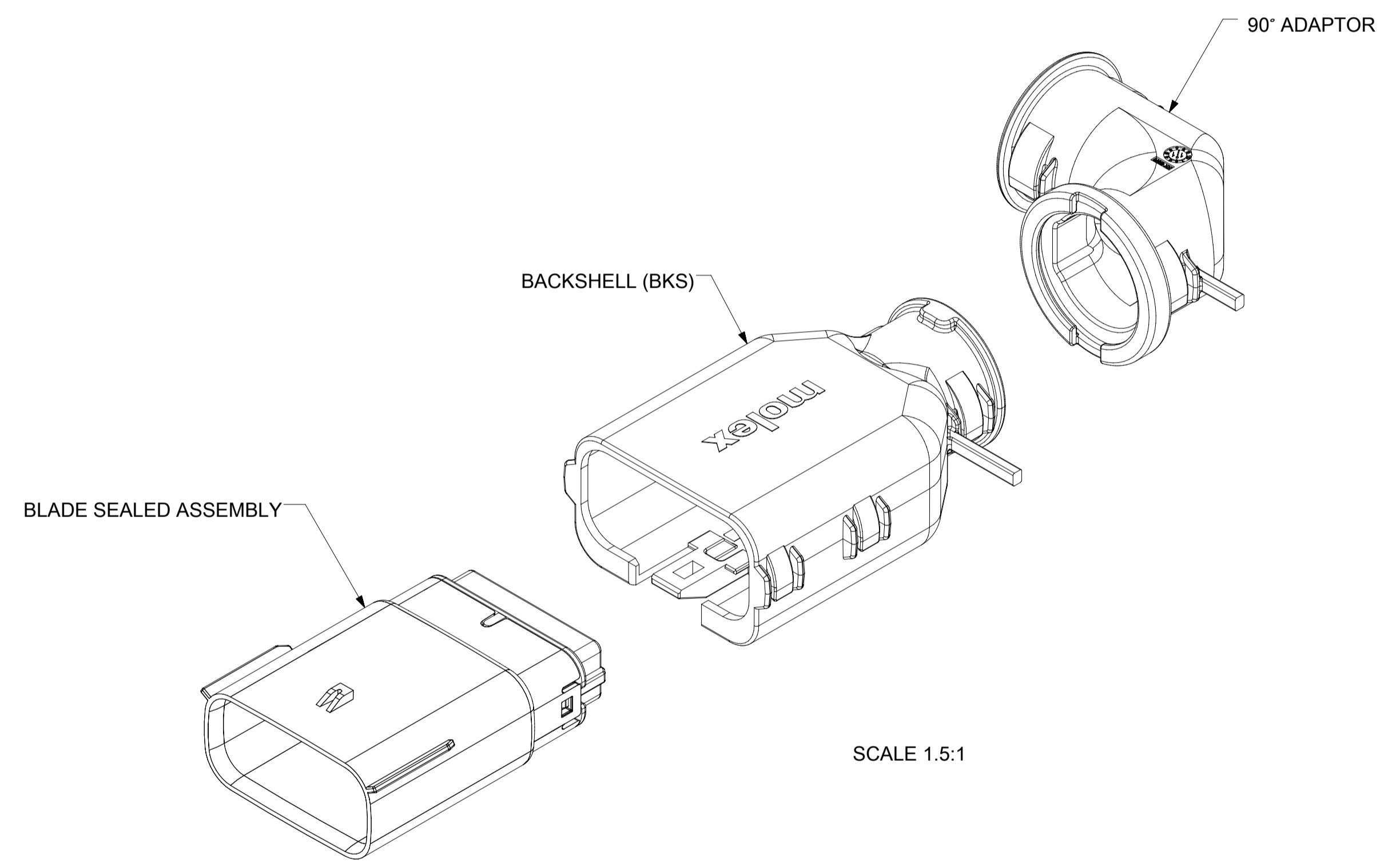
BACKSHELL CUSTOMER MODEL NUMBER LEGEND

34950-XXXX

- CUSTOMER MODEL COMPONENTS  
0 - SCHLEMMER BACKSHELL ONLY  
1 - SCHLEMMER BACKSHELL & MX150 HOUSING KEY A ASSEMBLY  
2 - SCHLEMMER BACKSHELL & MX150 HOUSING KEY B ASSEMBLY  
3 - SCHLEMMER BACKSHELL & MX150 HOUSING KEY C ASSEMBLY  
4 - SCHLEMMER BACKSHELL & MX150 HOUSING KEY D ASSEMBLY  
5 - MOLEX BACKSHELL ONLY  
6 - MOLEX BACKSHELL & MX150 HOUSING KEY A ASSEMBLY  
7 - MOLEX BACKSHELL & MX150 HOUSING KEY B ASSEMBLY  
8 - MOLEX BACKSHELL & MX150 HOUSING KEY C ASSEMBLY  
9 - MOLEX BACKSHELL & MX150 HOUSING KEY D ASSEMBLY

- BACKSHELL FEATURES  
1 - WITH RIBS  
2 - WITHOUT RIBS  
3 - 90° ADAPTOR

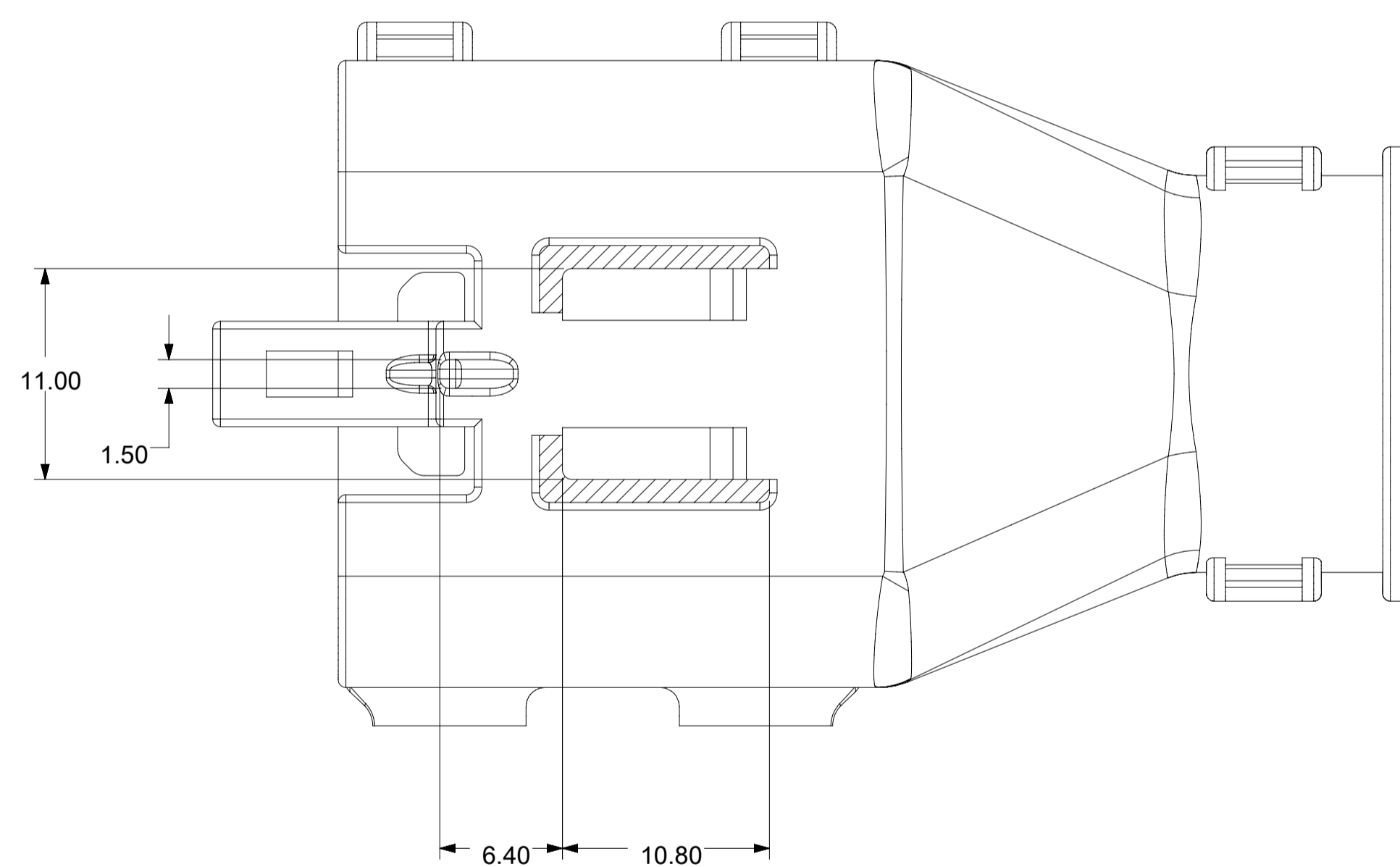
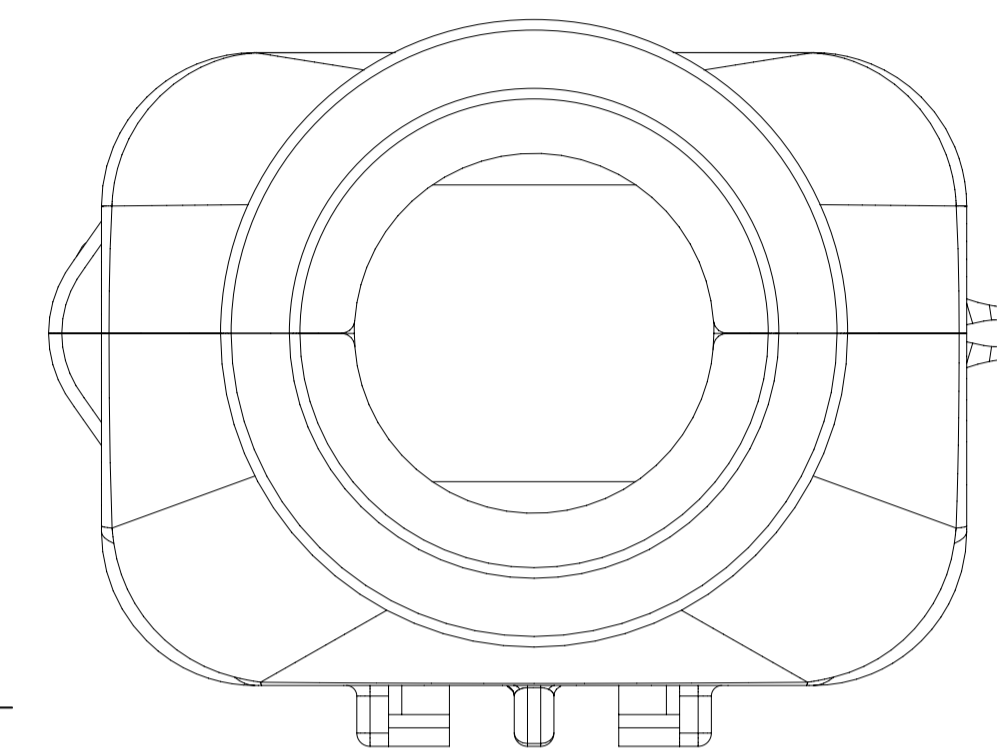
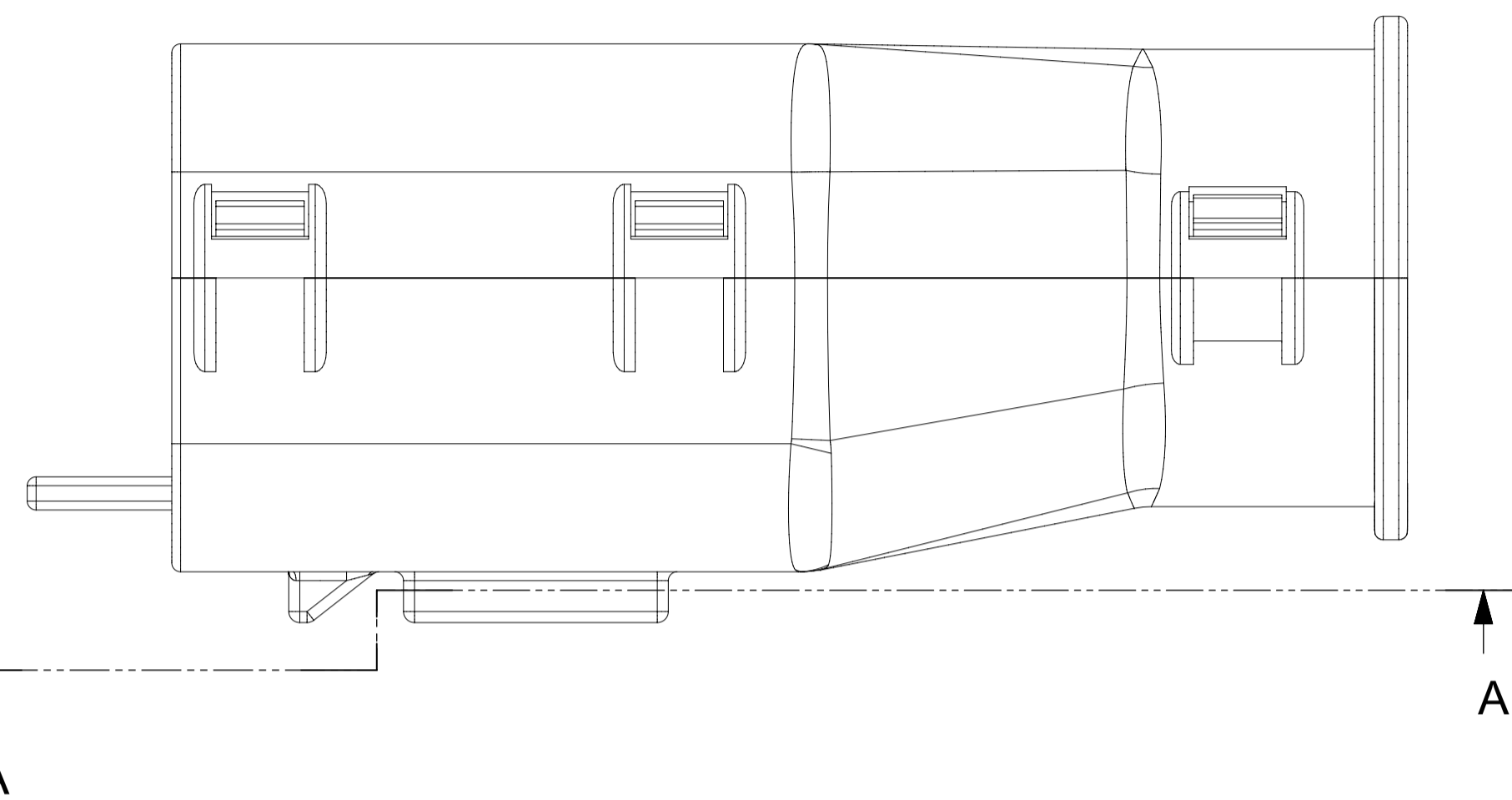
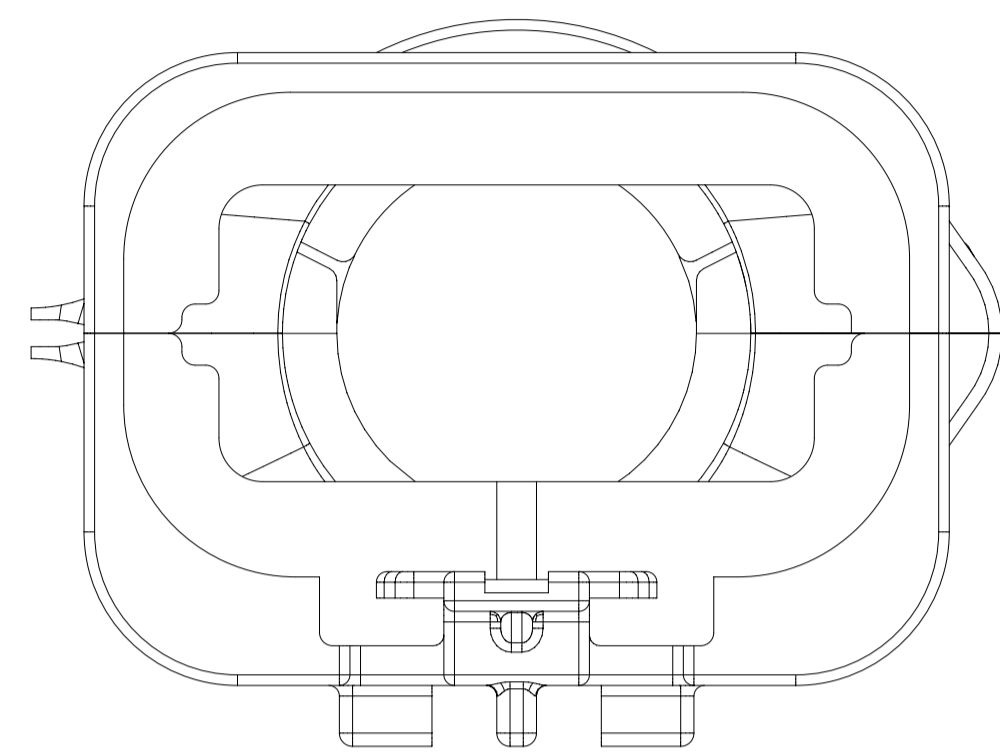
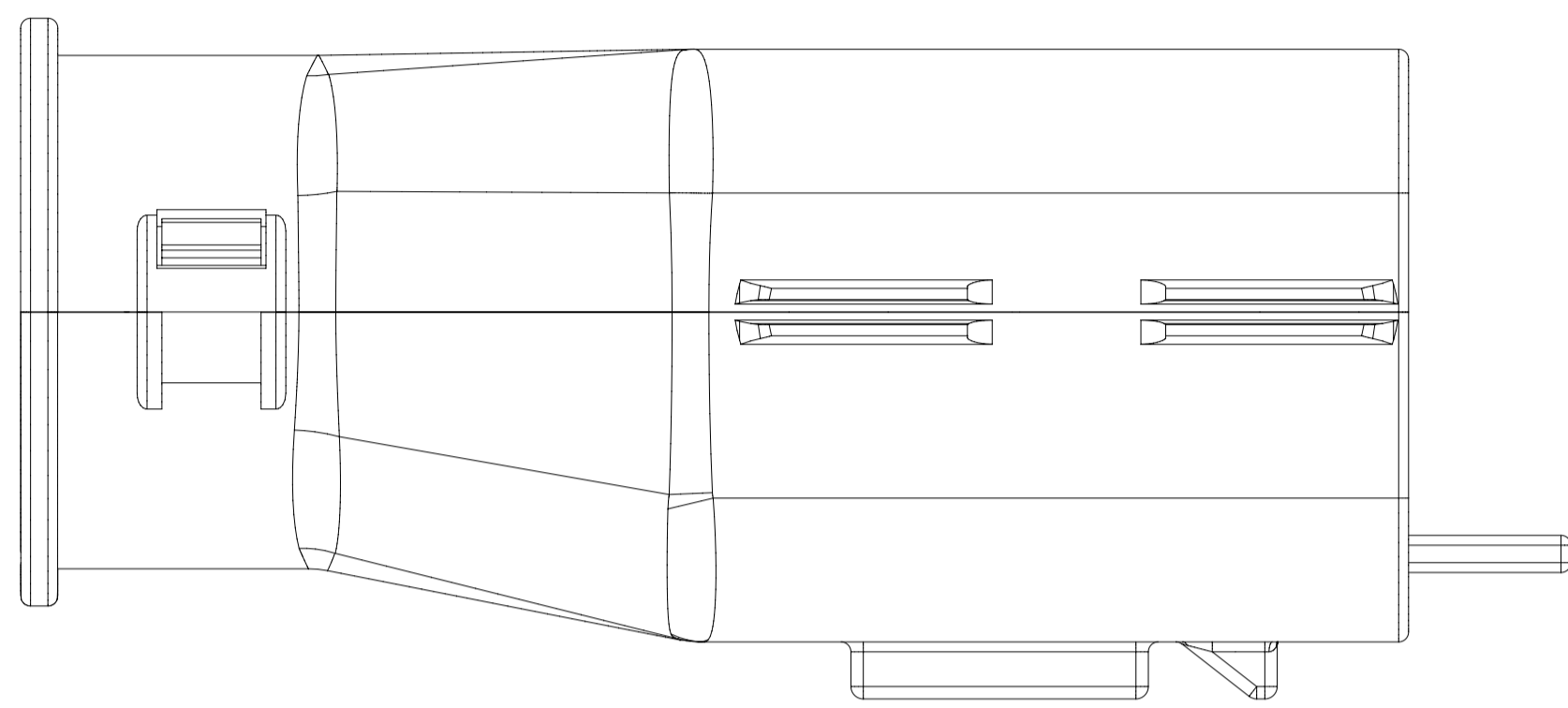
MX150 CIRCUIT SIZE 04, 06, 08, 12, 16, 20



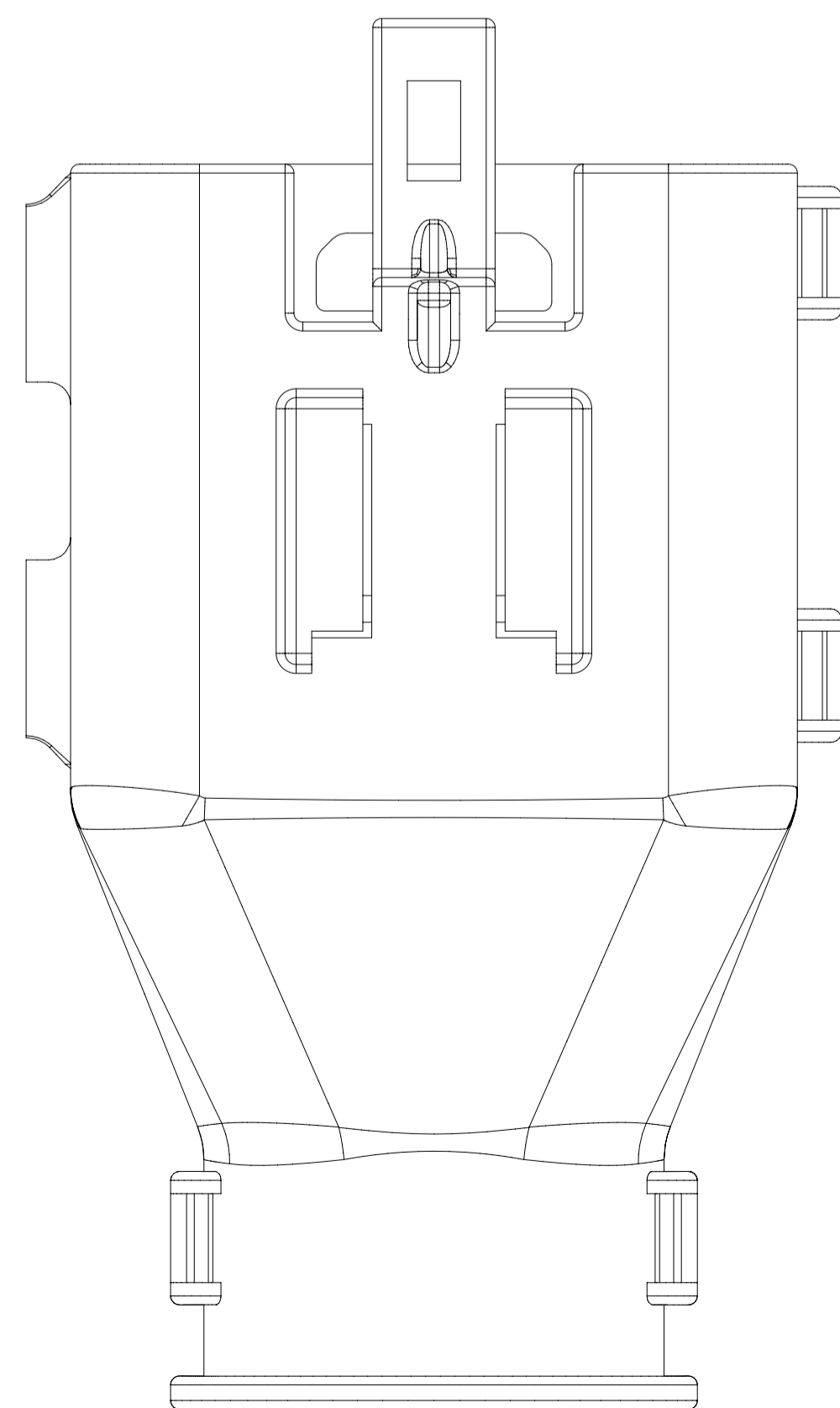
SYMBOLS	THIS DRAWING CONTAINS INFORMATION THAT IS PROPRIETARY TO MOLEX ELECTRONIC TECHNOLOGIES, LLC AND SHOULD NOT BE USED WITHOUT WRITTEN PERMISSION		CURRENT REV DESC:					
	DIMENSION UNITS	SCALE						EC NO: 171650
▽ = 0	mm	1.5:1	GENERAL TOLERANCES (UNLESS SPECIFIED)	DRWN: APROFFITT 2014/04/28	SD-33482-0001	PSD	001	E2
▽ = 0	ANGULAR TOL ± 1.0°		4 PLACES ±	CHK'D: MVANSLAMBROU 2018/02/16	PRODUCT CUSTOMER DRAWING			
▽ = 0	3 PLACES ±		3 PLACES ±	APPR: MVANSLAMBROU 2018/02/16	DOCUMENT NUMBER	CUSTOMER	SHEET NUMBER	
▽ = 0	2 PLACES ± 0.1		2 PLACES ± 0.1	INITIAL REVISION:	SD-33482-0001	GENERAL MARKET	7 OF 11	
▽ = 0	1 PLACE ± 0.2		1 PLACE ± 0.2	DRWN: APROFFITT 2014/04/28	MATERIAL NUMBER	CUSTOMER	SHEET NUMBER	
▽ = 0	0 PLACES ±		0 PLACES ±	APPR: VKOSHY 2014/05/14	33482	GENERAL MARKET	7 OF 11	
▽ = 0	DRAFT WHERE APPLICABLE MUST REMAIN WITHIN DIMENSIONS		THIRD ANGLE PROJECTION	DRAWING	A1-SIZE	SERIES	33482	

**SHEET DESCRIPTION**

SCHLEMMER BACKSHELL



SECTION A-A

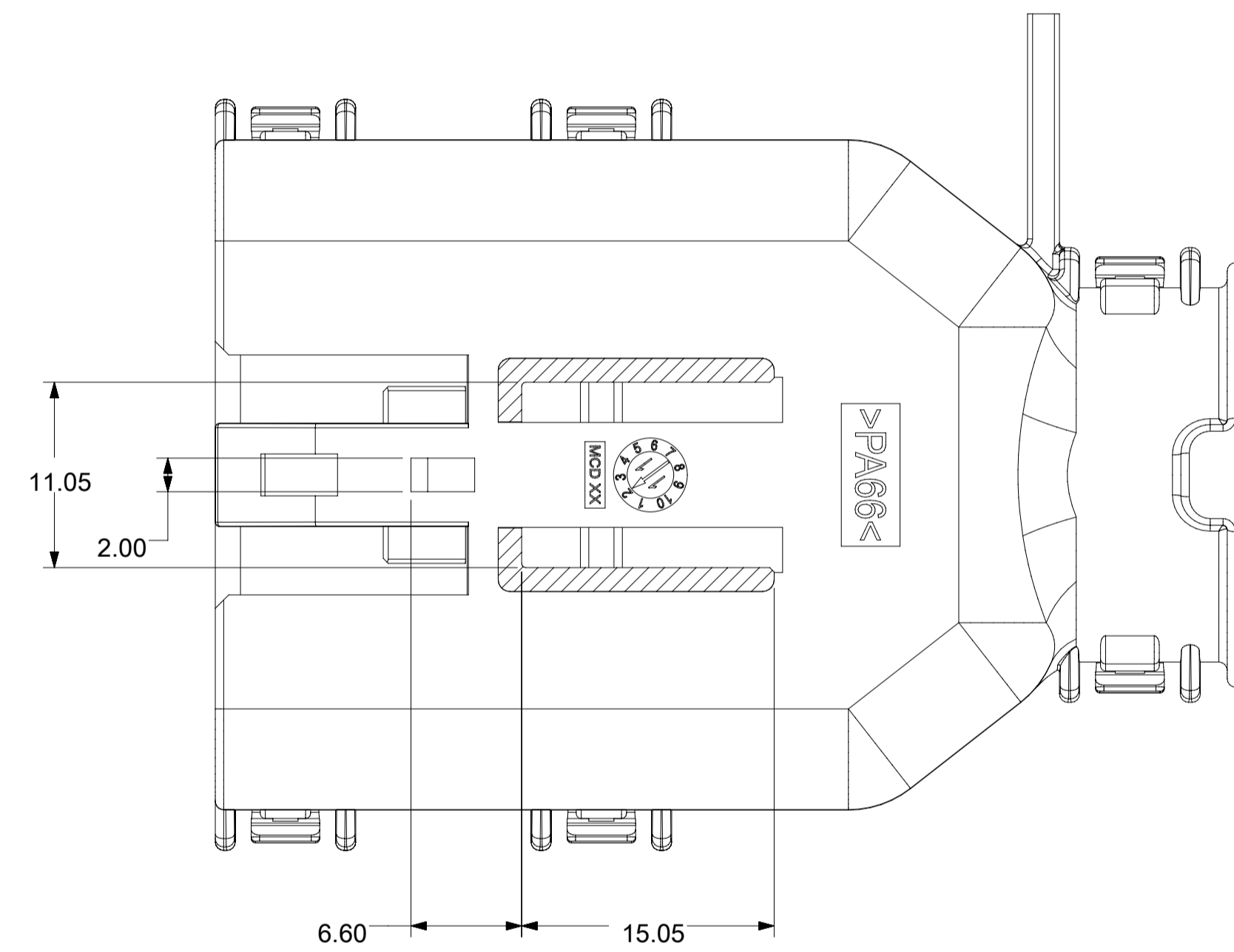
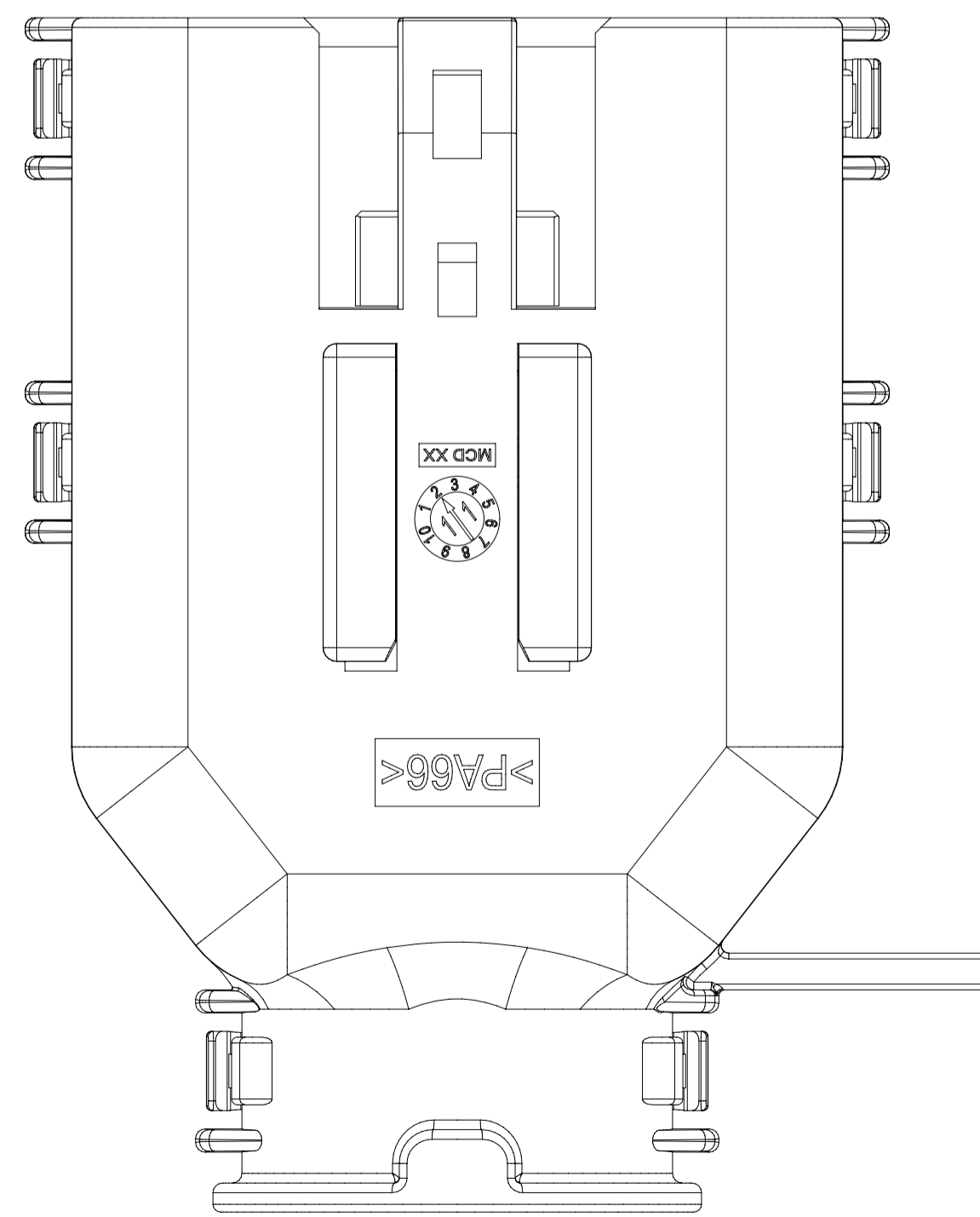
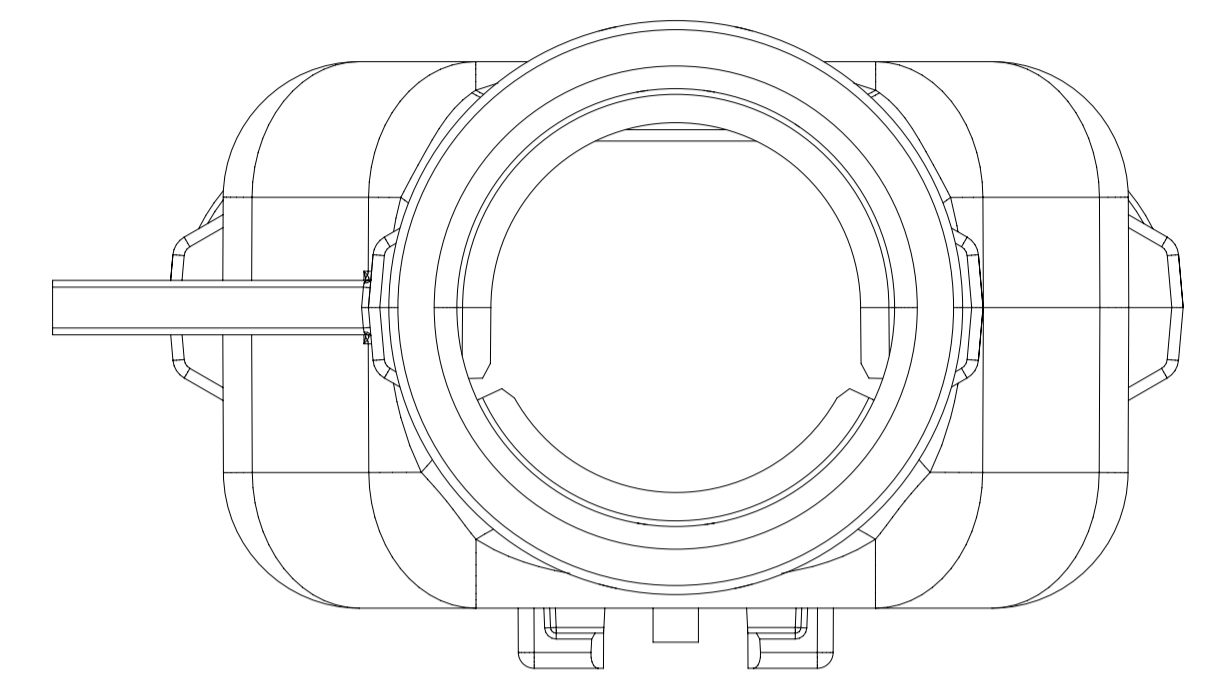
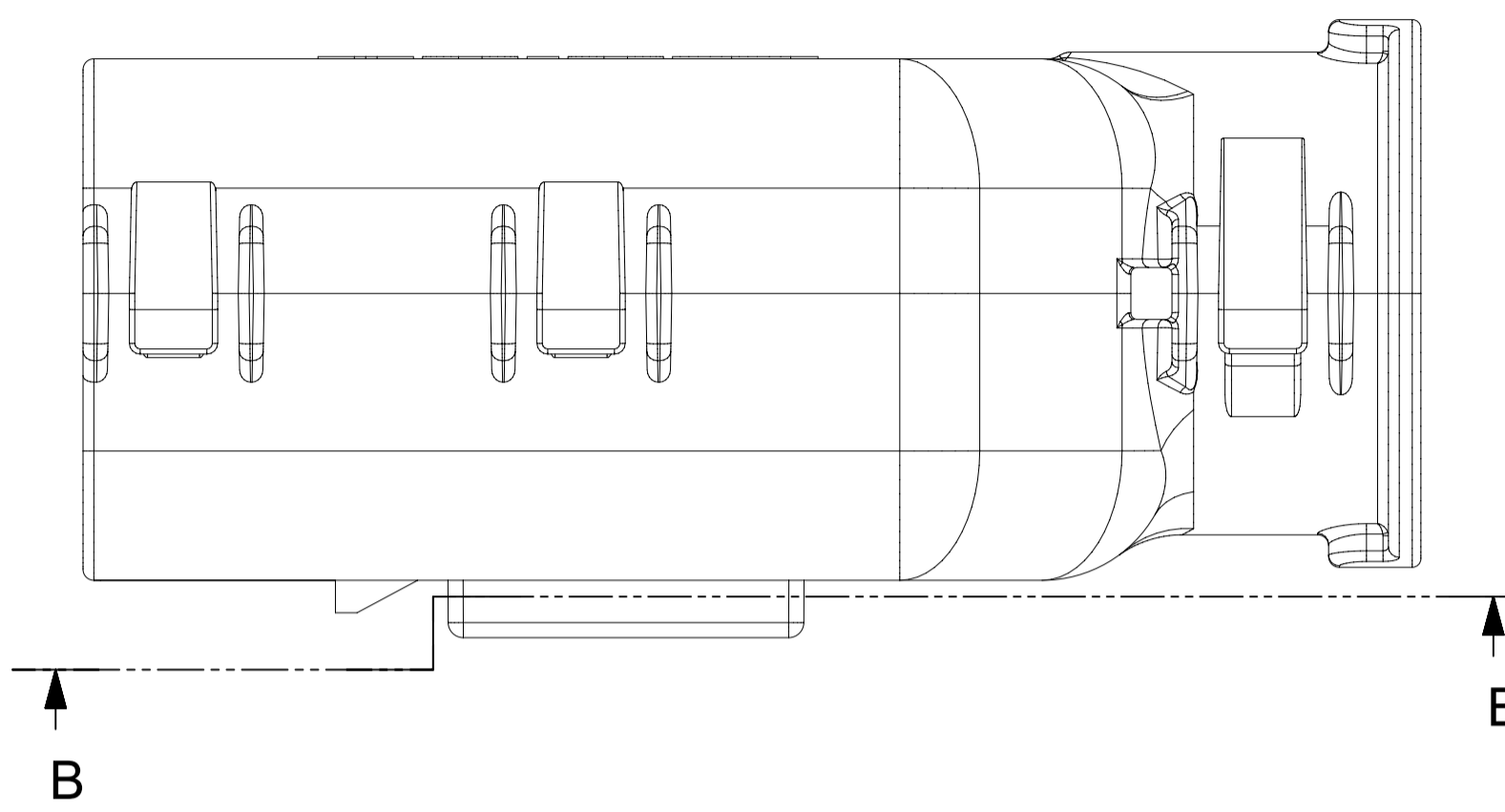
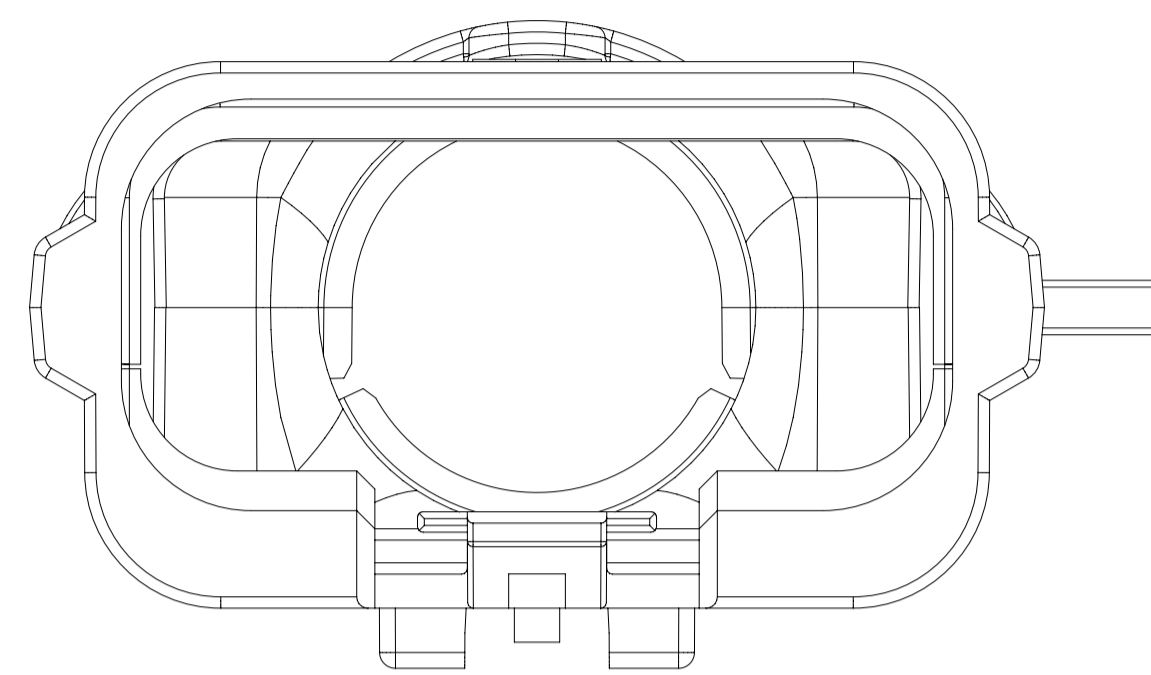
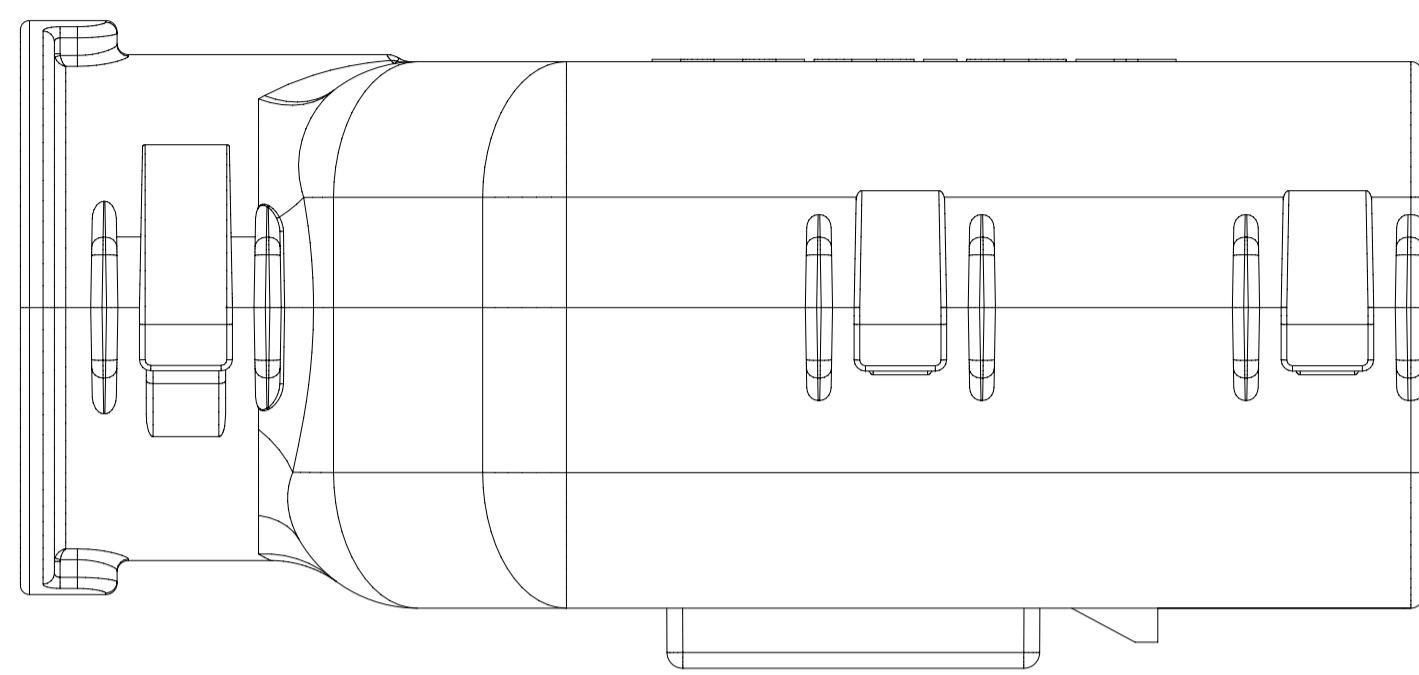


SYMBOLS		THIS DRAWING CONTAINS INFORMATION THAT IS PROPRIETARY TO MOLEX ELECTRONIC TECHNOLOGIES, LLC AND SHOULD NOT BE USED WITHOUT WRITTEN PERMISSION		CURRENT REV DESC:		<b>molex</b>		
DIMENSION UNITS	SCALE	EC NO: 171650		DRWN: PMANJUNATHAC 2018/01/03				
= 0	mm	3.5:1	CHK'D: MVANSLAMBROU 2018/02/16		2018/02/16		MX150 BLADE DUAL ROW SEALED ASSEMBLY MAT SEAL	
= 0	GENERAL TOLERANCES (UNLESS SPECIFIED)		APPR: MVANSLAMBROU 2018/02/16		2018/02/16		PRODUCT CUSTOMER DRAWING	
= 0	ANGULAR TOL ± 1.0°		INITIAL REVISION:		2014/05/14		DOCUMENT NUMBER	
= 0	4 PLACES ±		DRWN: APROFFITT		2014/04/28		SD-33482-0001	
= 0	3 PLACES ±		APPR: VKOSHY		2018/02/16		DOC TYPE   DOC PART   REVISION	
= 0	2 PLACES ± 0.1		THIRD ANGLE PROJECTION		DRAWING		PSD   001   E2	
= 0	1 PLACE ± 0.2		A1-SIZE		SERIES		MATERIAL NUMBER	
= 0	0 PLACES ±		33482		CUSTOMER		GENERAL MARKET	
= 0	DRAFT WHERE APPLICABLE MUST REMAIN WITHIN DIMENSIONS		8 OF 11		SHEET NUMBER		8 OF 11	


DOCUMENT STATUS	P1	RELEASE DATE	2018/02/16 22:02:26
-----------------	----	--------------	---------------------



SHEET DESCRIPTION  
MOLEX BACKSHELL

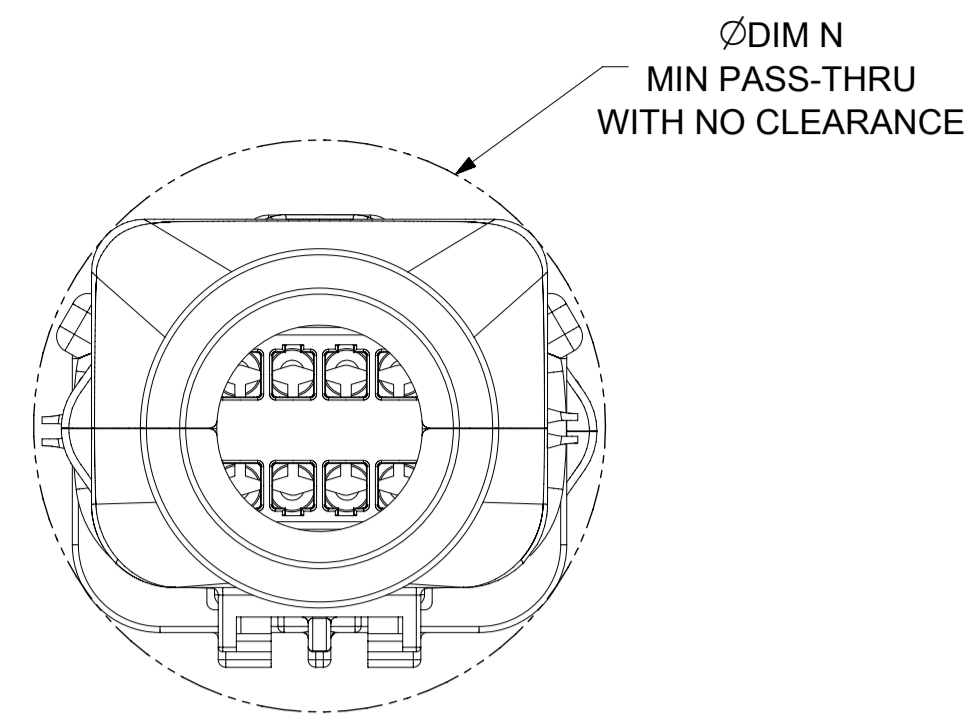
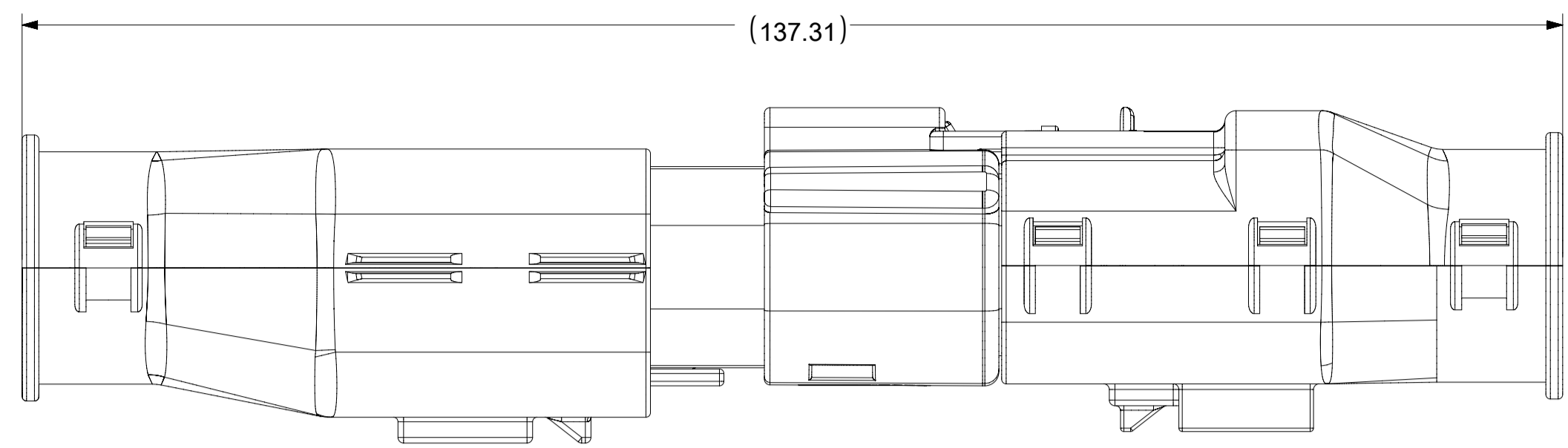


SECTION B-B

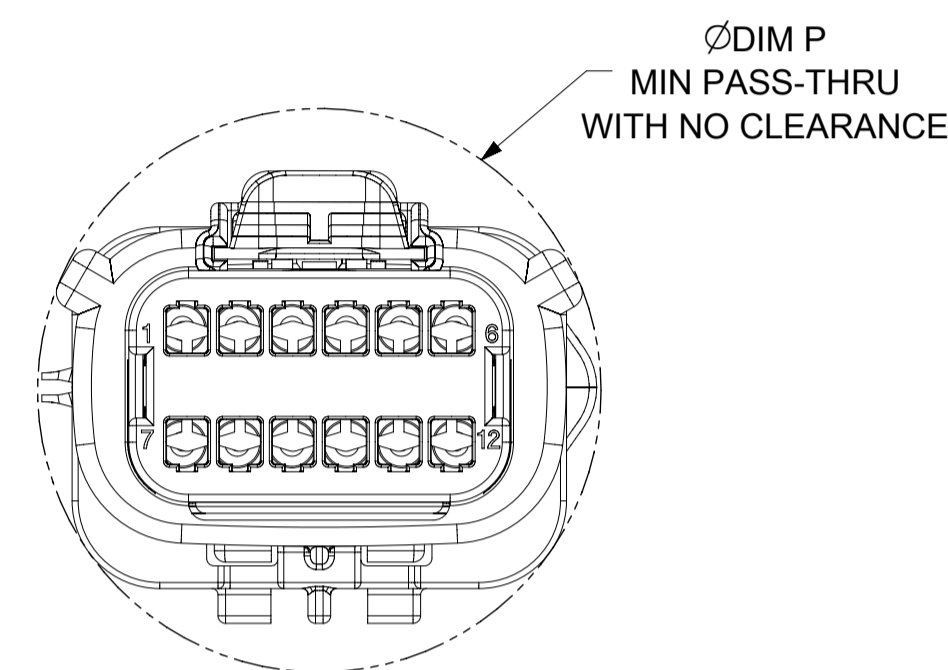
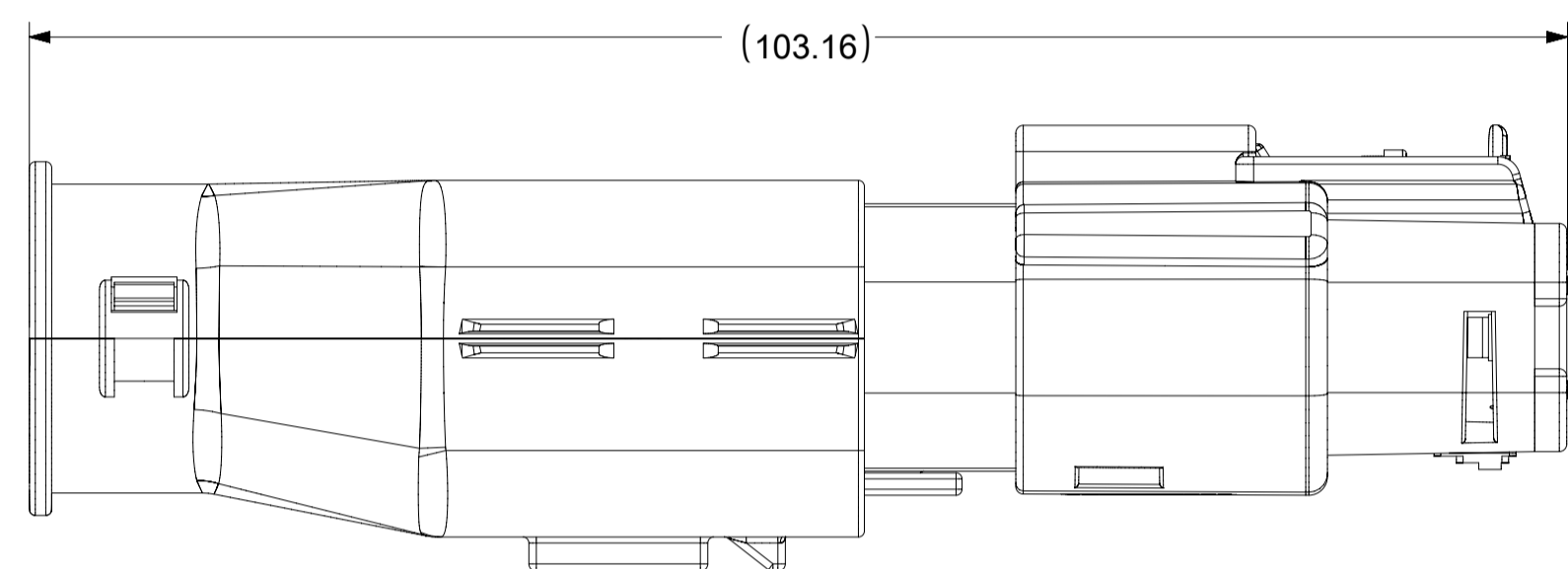
<b>SYMBOLS</b> ▽ = 0 ▽ = 0 ▽ = 0 ▽ = 0 ▽ = 0 ▽ = 0 ▽ = 0 ▽ = 0 ▽ = 0 ▽ = 0 ▽ = 0	THIS DRAWING CONTAINS INFORMATION THAT IS PROPRIETARY TO MOLEX ELECTRONIC TECHNOLOGIES, LLC AND SHOULD NOT BE USED WITHOUT WRITTEN PERMISSION		DIMENSION UNITS: <b>mm</b> SCALE: <b>3:1</b>		CURRENT REV DESC:			 MX150 BLADE DUAL ROW SEALED ASSEMBLY MAT SEAL		
	GENERAL TOLERANCES (UNLESS SPECIFIED)		EC NO: 171650 DRWN: PMANJUNATHAC 2018/01/03 CHK'D: MVANSLAMBROU 2018/02/16 APPR: MVANSLAMBROU 2018/02/16			PRODUCT CUSTOMER DRAWING				
	ANGULAR TOL ± 1.0°		INITIAL REVISION:			DOCUMENT NUMBER:		DOC TYPE:	DOC PART:	REVISION:
	4 PLACES ± 3 PLACES ± 2 PLACES ± 0.1 1 PLACE ± 0.2 0 PLACES ±		DRWN: APROFFITT 2014/04/28 APPR: VKOSHY 2014/05/14			<b>SD-33482-0001</b>		PSD	001	E2
DRAFT WHERE APPLICABLE MUST REMAIN WITHIN DIMENSIONS		THIRD ANGLE PROJECTION	DRAWING:	SERIES:	MATERIAL NUMBER:		CUSTOMER:		SHEET NUMBER:	
			A1-SIZE	33482	GENERAL MARKET			9 OF 11		

**SHEET DESCRIPTION**  
SCHLEMMER BACKSHELL CONFIGURATIONS

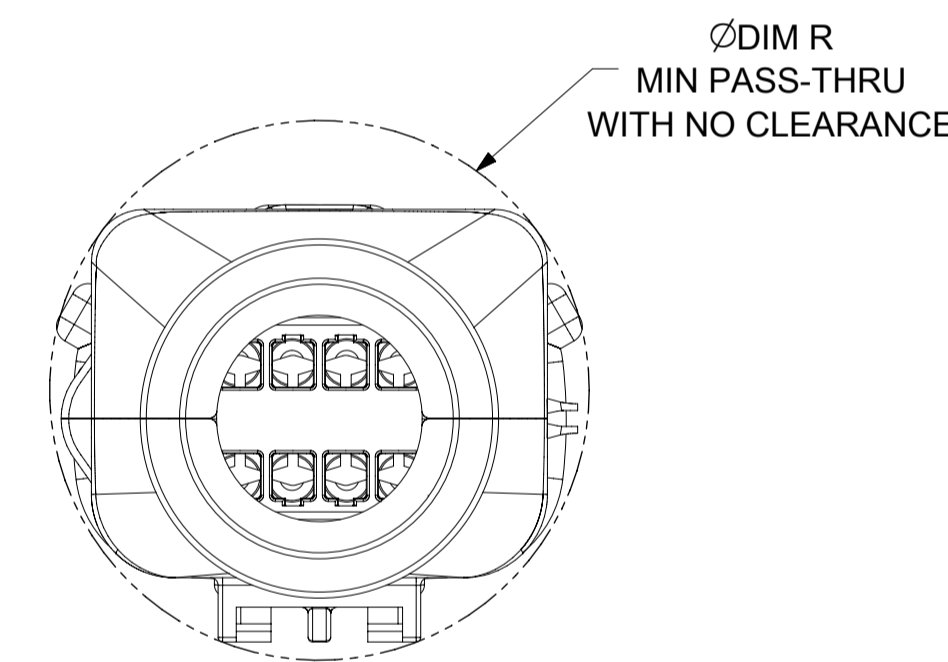
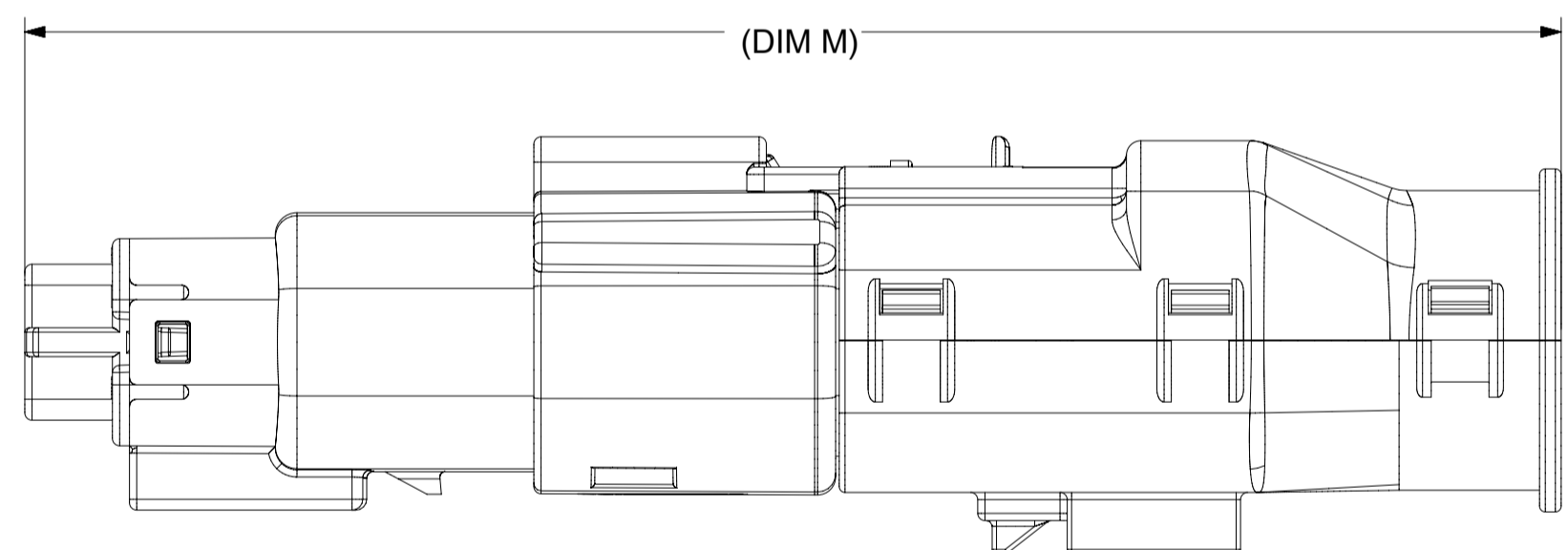
CKT	BLADE CONFIGURATION	RECEPTACLE CONFIGURATION	DIMENSIONS				
			M	N	P	R	T
2X3	STANDARD	STANDARD	106.83	32.75	31.75	29.00	29.50
	LENGTHENED		108.71				
2X4	STANDARD	STANDARD	106.83	33.50	31.90	30.70	30.70
2X6	STANDARD	STANDARD	106.83	37.84	37.27	35.83	36.83



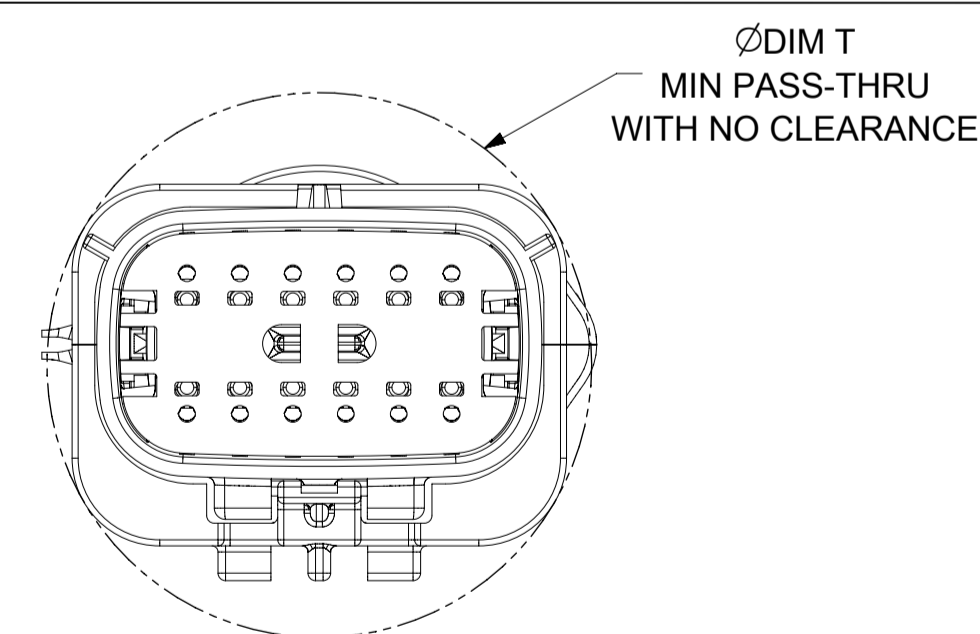
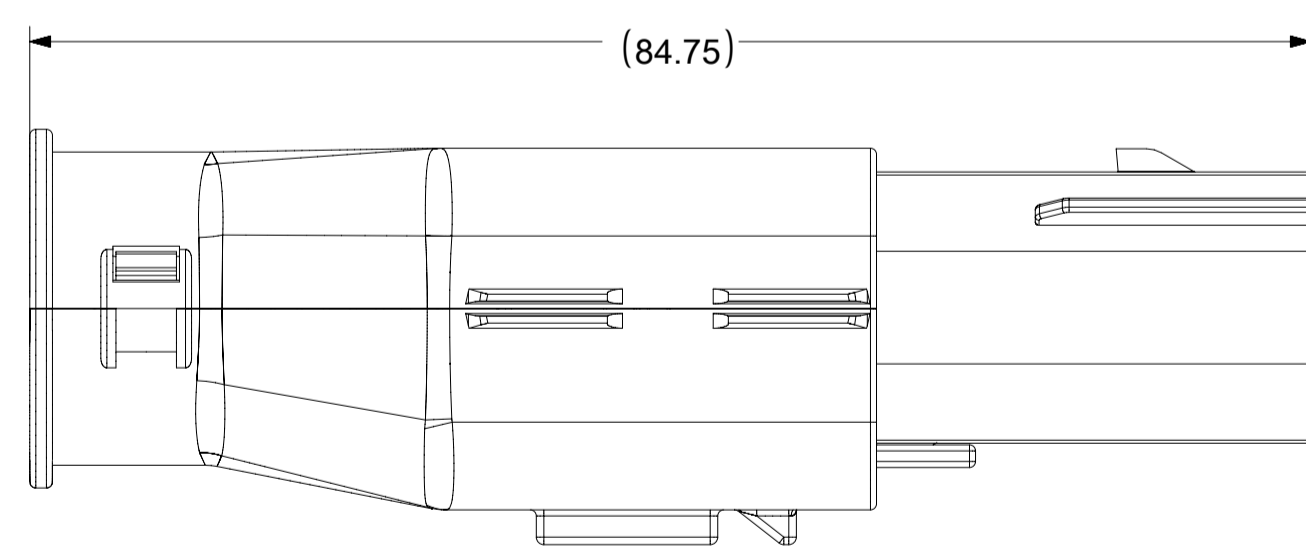
OVERALL MATED SYSTEM WITH BLADE AND RECEPTACLE BACKSHELL



OVERALL MATED SYSTEM WITH BLADE BACKSHELL



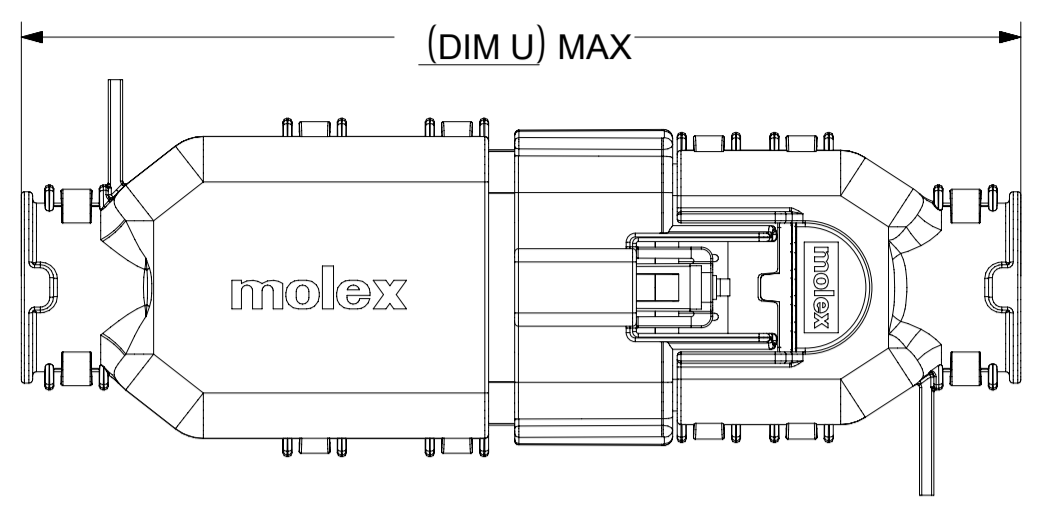
OVERALL MATED SYSTEM WITH RECEPTACLE BACKSHELL



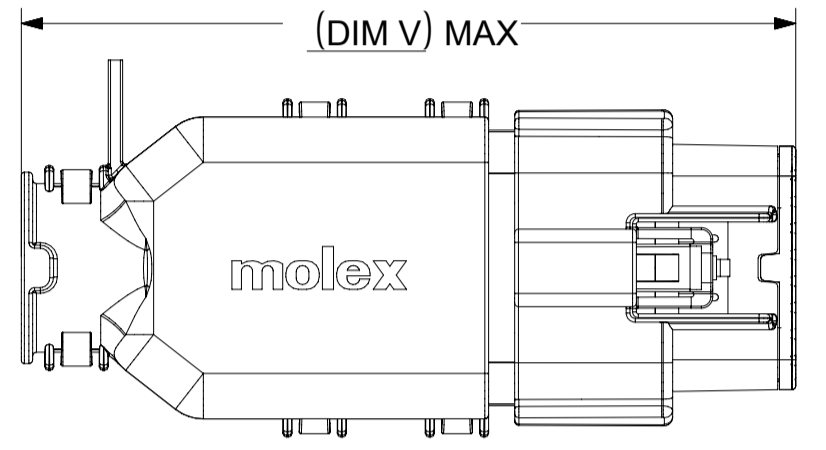
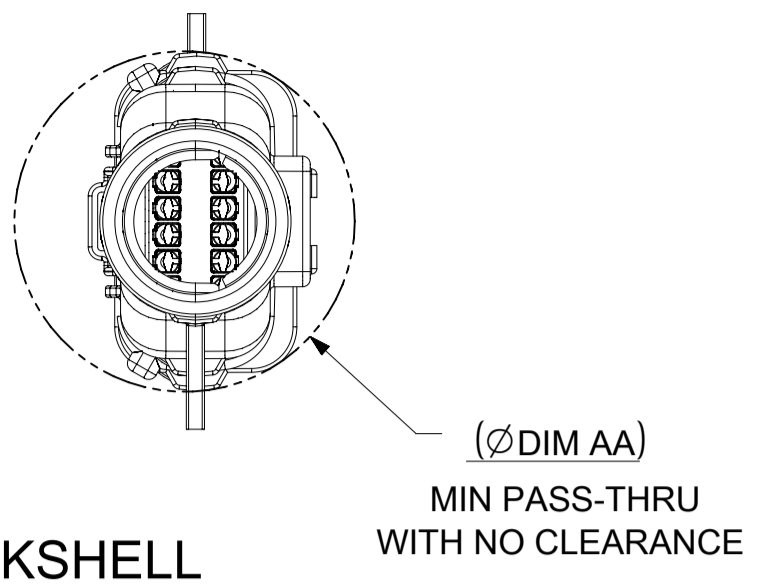
BLADE SEALED ASSEMBLY WITH BLADE BACKSHELL

<b>SYMBOLS</b> = 0 = 0 = 0 = 0 = 0 = 0 = 0 = 0	THIS DRAWING CONTAINS INFORMATION THAT IS PROPRIETARY TO MOLEX ELECTRONIC TECHNOLOGIES, LLC AND SHOULD NOT BE USED WITHOUT WRITTEN PERMISSION DIMENSION UNITS: <b>mm</b> SCALE: <b>2:1</b> GENERAL TOLERANCES (UNLESS SPECIFIED) ANGULAR TOL ± 1.0° 4 PLACES ± 3 PLACES ± 2 PLACES ± 0.1 1 PLACE ± 0.2 0 PLACES ± DRAFT WHERE APPLICABLE MUST REMAIN WITHIN DIMENSIONS	CURRENT REV DESC:  EC NO: 171650 DRWN: PMANJUNATHAC 2018/01/03 CHK'D: MVANSLAMBROU 2018/02/16 APPR: MVANSLAMBROU 2018/02/16  INITIAL REVISION: DRWN: APROFFITT 2014/04/28 APPR: VKOSHY 2014/05/14	  MX150 BLADE DUAL ROW SEALED ASSEMBLY MAT SEAL  PRODUCT CUSTOMER DRAWING	
				DOCUMENT NUMBER: <b>SD-33482-0001</b> DOC TYPE: PSD DOC PART: 001 REVISION: E2
			THIRD ANGLE PROJECTION  DRAWING: <b>A1-SIZE</b> SERIES: <b>33482</b>	MATERIAL NUMBER: _____ CUSTOMER: <b>GENERAL MARKET</b> SHEET NUMBER: <b>10 OF 11</b>
	DOCUMENT STATUS: P1 RELEASE DATE: 2018/02/16 22:02:26			

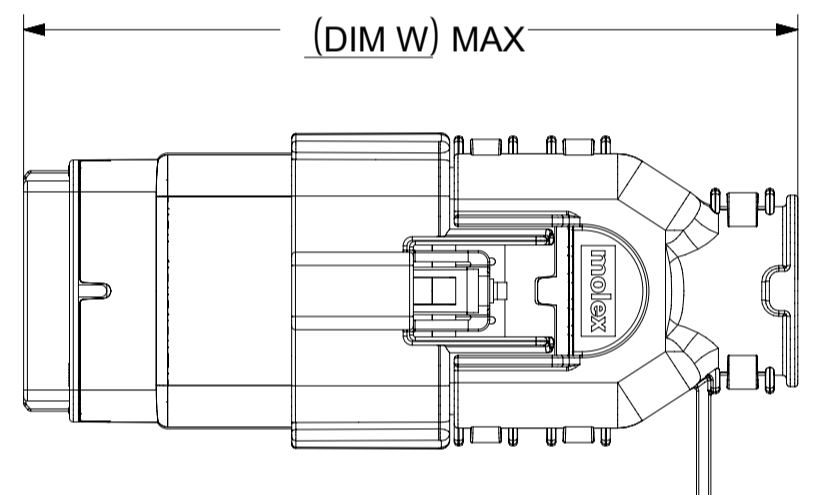
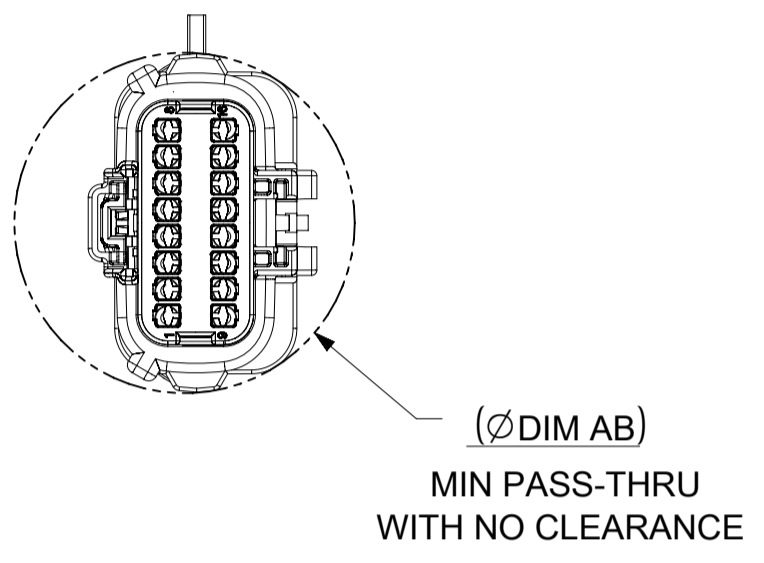
**SHEET DESCRIPTION**  
MOLEX BACKSHELL CONFIGURATIONS



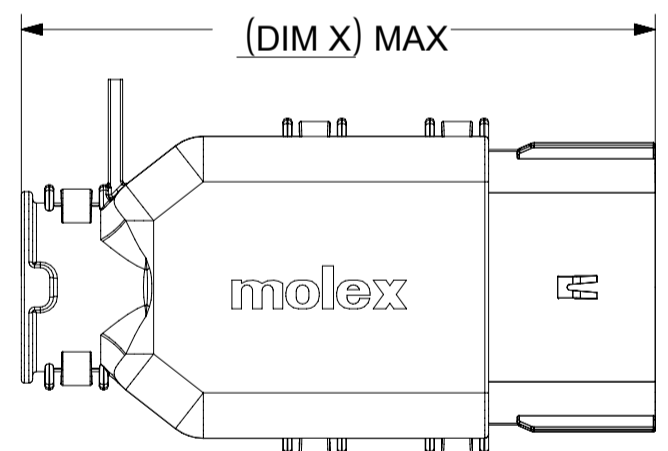
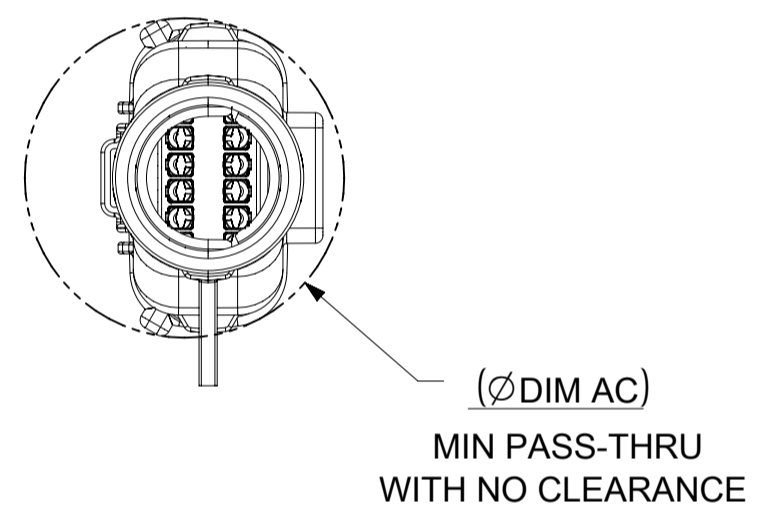
OVERALL MATED SYSTEM WITH BLADE AND RECEPTACLE BACKSHELL



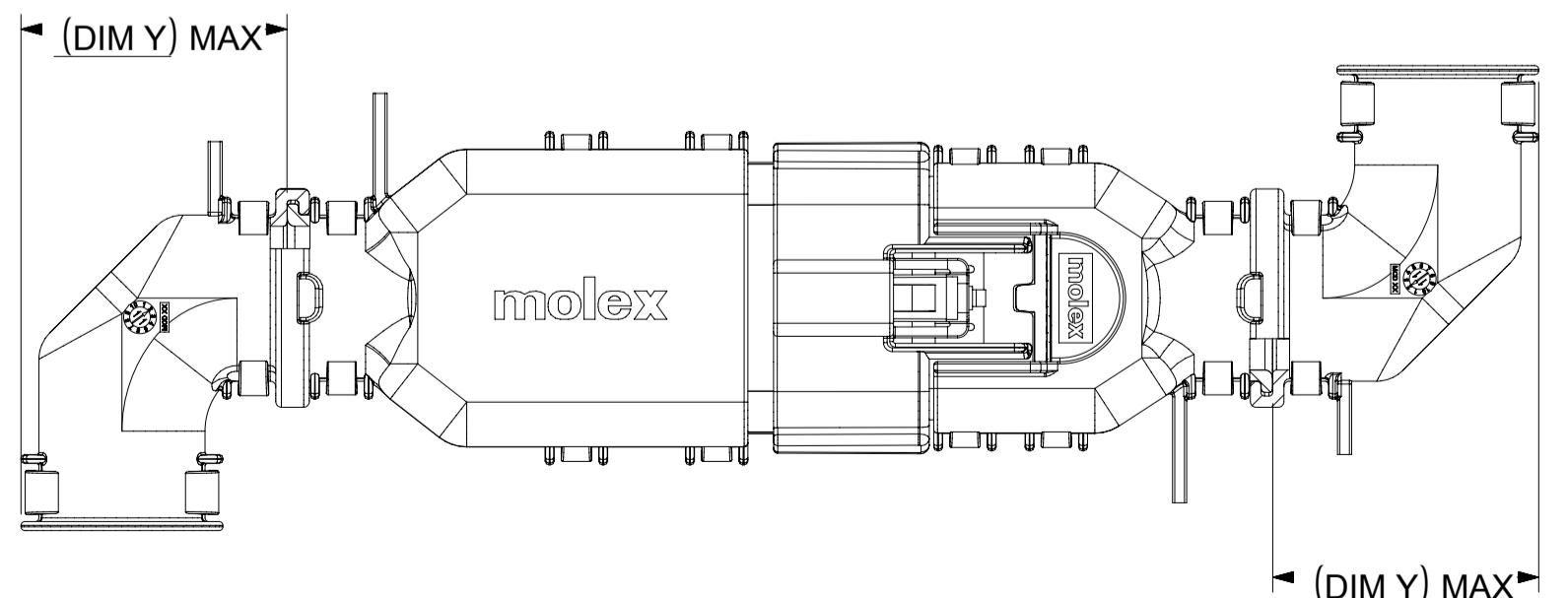
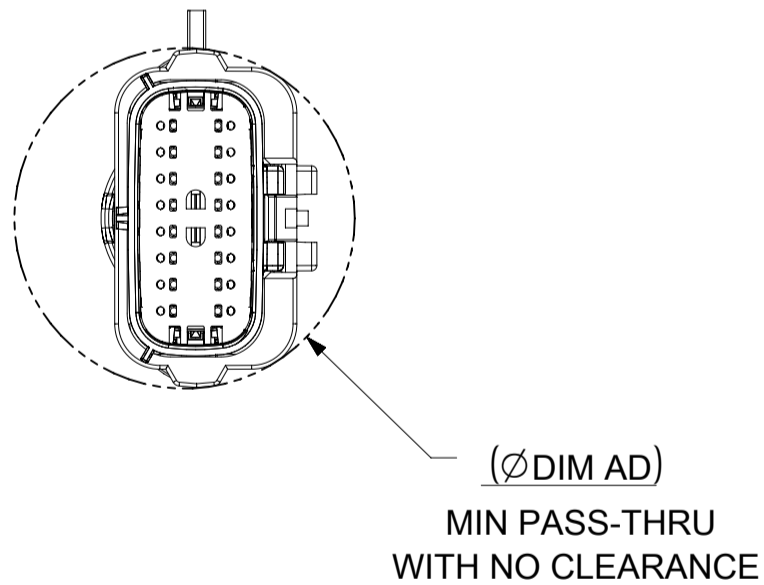
OVERALL MATED SYSTEM WITH BLADE BACKSHELL



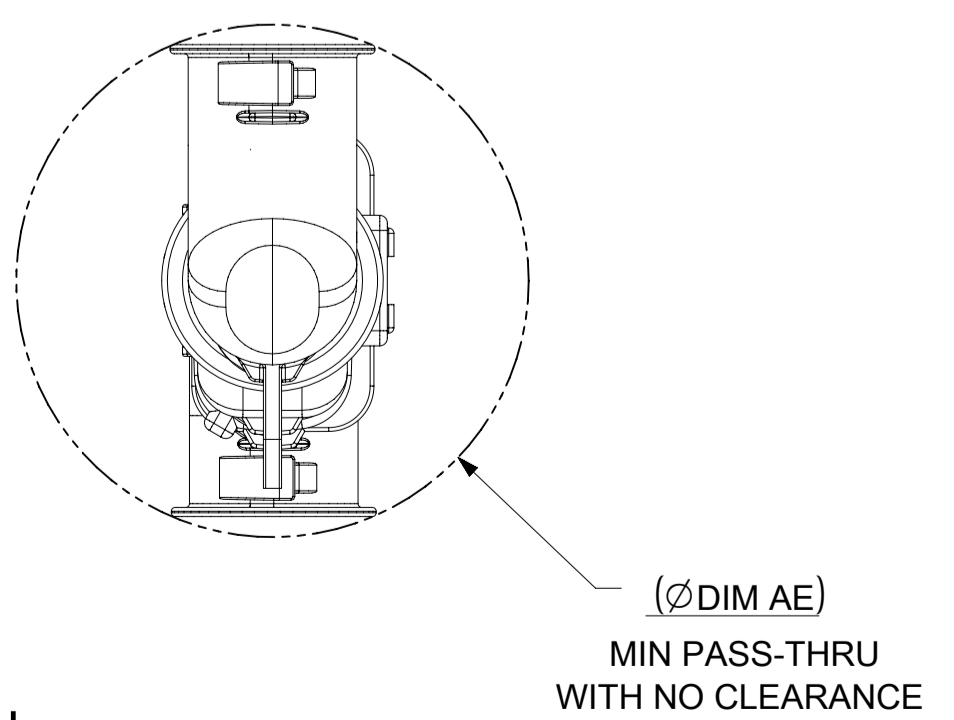
OVERALL MATED SYSTEM WITH RECEPTACLE BACKSHELL



BLADE SEALED ASSEMBLY WITH BLADE BACKSHELL



ADD THE VALUE OF 'Y' TO THE TOTAL DIMENSION WHENEVER ADAPTOR IS USED

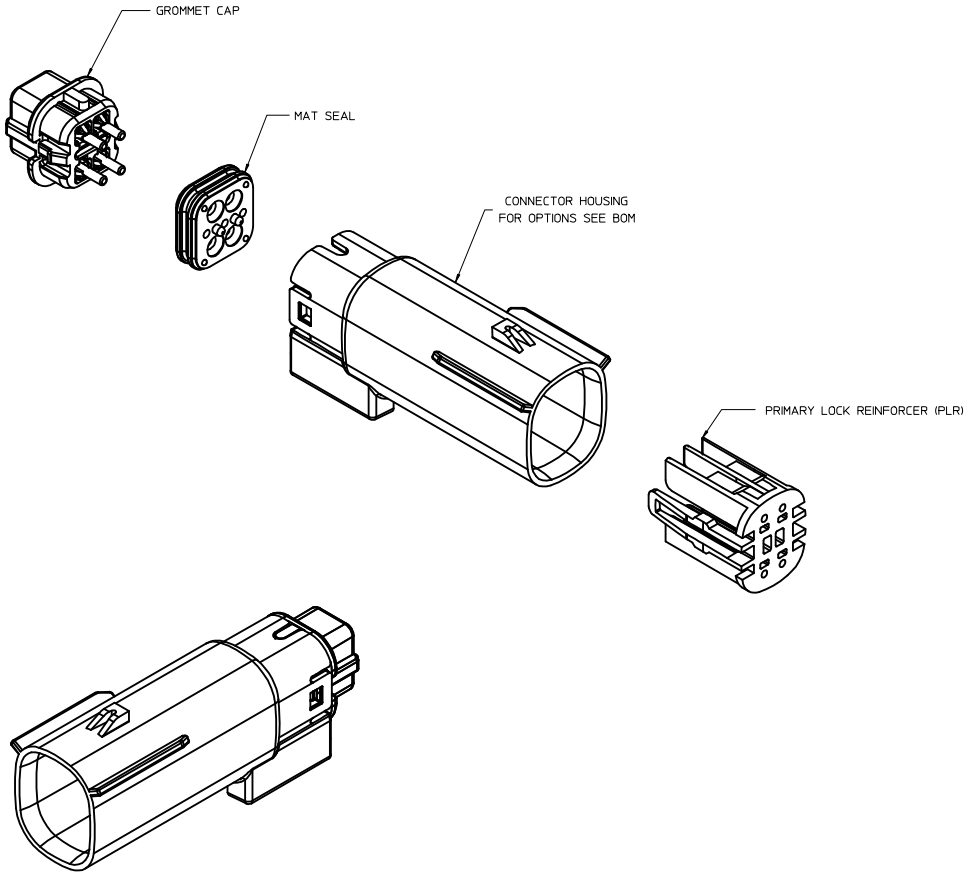


**CHARTED DIMENSIONS**

CKT	BLADE CONFIGURATION	RECEPTACLE CONFIGURATION	DIMENSIONS									
			U	V	W	X	Y	AA	AB	AC	AD	AE
2X4	STANDARD	STANDARD	115.24	94.36	93.93	75.62	32.10	32.93	32.54	32.85	31.76	56.81
2X8	STANDARD	STANDARD	132.49	102.81	102.73	84.07	36.10	45.44	45.44	42.65	45.44	68.18
2X10	STANDARD	STANDARD	132.49	102.81	102.73	84.07	36.10	45.44	45.44	42.65	45.44	68.18

<b>SYMBOLS</b> = 0 = 0 = 0 = 0 = 0 = 0 = 0 = 0 = 0 = 0	THIS DRAWING CONTAINS INFORMATION THAT IS PROPRIETARY TO MOLEX ELECTRONIC TECHNOLOGIES, LLC AND SHOULD NOT BE USED WITHOUT WRITTEN PERMISSION DIMENSION UNITS: <b>mm</b> SCALE: <b>1:1</b> GENERAL TOLERANCES (UNLESS SPECIFIED) ANGULAR TOL: ± 1.0° 4 PLACES ± 3 PLACES ± 2 PLACES ± 0.1 1 PLACE ± 0.2 0 PLACES ± DRAFT WHERE APPLICABLE MUST REMAIN WITHIN DIMENSIONS	CURRENT REV DESC:  EC NO: 171650 DRWN: PMANJUNATHAC 2018/01/03 CHK'D: MVANSLAMBROU 2018/02/16 APPR: MVANSLAMBROU 2018/02/16  INITIAL REVISION: DRWN: APROFFITT 2014/04/28 APPR: VKOSHY 2014/05/14	  MX150 BLADE DUAL ROW SEALED ASSEMBLY MAT SEAL  PRODUCT CUSTOMER DRAWING
	DOCUMENT NUMBER: <b>SD-33482-0001</b> DOC TYPE: PSD DOC PART: 001 REVISION: E2	MATERIAL NUMBER: <b>33482</b> CUSTOMER: <b>GENERAL MARKET</b> SHEET NUMBER: <b>11 OF 11</b>	

TABLE OF CONTENTS	
SHEET NO.	SHEET DESCRIPTION
1	NOTES
2	KEY CONFIGURATIONS
3	BLADE SEALED ASSEMBLY
4	SYSTEM PACKAGING
5	BOM



NOTES: VALID UNLESS OTHERWISE SPECIFIED

1. GENERAL:  
 a. APPLICATION SPECIFICATION SEE: AS-33472-100  
 CONTAINS: PRODUCT INTRODUCTION, PRODUCT SUMMARY, CONNECTOR ASSEMBLY, PACKAGING INFORMATION, CONNECTOR MATING, SERVICE INSTRUCTIONS, ELECTRICAL CONTINUITY CHECKING, CRIMPING, AND TROUBLESHOOTING.  
 -DESIGNED TO MATE WITH RECEPTACLE SEALED ASSEMBLY SPECIFIED IN MOLEX DRAWING SD-33472-041.  
 -FOR 15mm BLADE TERMINALS TO BE USED WITH THIS ASSEMBLY SEE MOLEX DRAWING SD-33000-001.  
 - SYSTEM TO BE USED WITH WIRE WITH DIAMETER RANGE OF 1.4mm TO 2.69mm.  
 -ASSEMBLY SHIPPED WITH PLR IN PRE-LOCK POSITION  
 -IN THE EVENT THAT THE PLR IS FOUND IN THE SEATED (FINAL LOCK) POSITION, REFER TO MOLEX SPECIFICATION PS-34646-001, AVAILABLE AT [www.molex.com](http://www.molex.com) <<http://www.molex.com>>  
 -ASSEMBLY CONFORMS TO SAE/USCAR-2 REV.4 WITH THE FOLLOWING EXCEPTIONS: TERMINAL INSERTION FORCE FOR WIRE DIAMETER ABOVE 2.5mm NOT EXCEEDING 2.69mm SHALL NOT EXCEED 45 NEWTONS.

b. PRODUCT SPECIFICATION SEE: PS-33472-000  
 CONTAINS: PRODUCT INTRODUCTION, PRODUCT SUMMARY, RATINGS (CURRENT, TEMPERATURE, SEALING, AND FLAMMABILITY), AND PRODUCT VALIDATION.

c. PACKAGING SPECIFICATION PER MOLEX DRAWING: PK-31300-635

d. PARTS MUST BE IN COMPLIANCE TO MOLEX CHEMICAL SUBSTANCES FOR PRODUCTS AND PACKAGING SPECIFICATION: ES-40000-5016

e. DATA MUST BE SUBMITTED UNDER THE MOLEX PART NUMBER TO IMDS (COMPANY ID#13255)

2. DESIGN - MATERIALS:  
 a. CONNECTOR HOUSING, GROMMET CAP, PLR: SPS/NYLON 20% GLASS FILLED  
 b. MAT SEAL: INTERNALLY LUBRICATED SILICONE

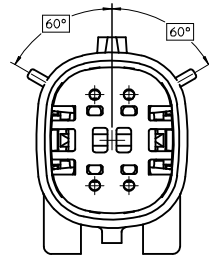
3. DESIGN - GEOMETRY:  
 a. THIS IS A 100% CAD GENERATED PART. THE CAD MATHEMATICAL DATA IS THE MASTER FOR THIS PART. FOR DIMENSIONAL OR ANY INFORMATION NOT SHOWN ON THIS DRAWING, ANALYZE THE CAD MODEL.  
 b. GEOMETRIC DIMENSIONS AND TOLERANCES PER ASME Y14.5M - 1994  
 c. EDGES AND UNDIMENSIONED DETAILS PER ISO13715  
 d. CORNERS SHOWN AS SHARP TO BE R 0.2 MAX.  
 e. LETTERING SHALL BE 0.15 MAX RAISED IN 0.25 MAX RECESS PAD. THIS INCLUDES RECYCLING CODE, CAVITY ID, VENDOR IDENTIFICATION, AND CUSTOMER MATERIAL NUMBER.  
 f. VISUAL DEFECTS SHALL MEET COSMETIC STANDARD PS-45499-002 (Class B)  
 g. LASER MARKING: TBD

INSPECTION NUMBER LOG  
 LAST NUMBER USED:  
 ADDED:  
 REMOVED:

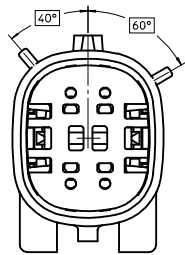
REV	DESCRIPTION
V	UPDATED STATUS AND COMMENTS COLUMNS
U	ADD NEW P/N 33482-4417
T	ADD NEW P/N 33482-4415 33482-4416
S	ADD NEW P/N 33482-4413
R	ADD NEW P/N 33482-4412
Q	UPDATED GROMMET CAP
P3	UPDATED DIMENSIONS
P2	UPDATED DIMENSIONS TO MATCH MODEL
P1	UPDATED NOTES
P	REDRAWN

REVISED EC NO: UALU2016-0465 DRAWN BY: DRWN:APROFFITT CHECKED BY: CHYK:KORUSZESKI APPROVED BY: APPR:IKOSHY	QUALITY SYMBOLS ▽=0 ▽=0 ▽=0	GENERAL TOLERANCES (UNLESS SPECIFIED) <table border="1"> <thead> <tr> <th></th> <th>mm</th> <th>INCH</th> </tr> </thead> <tbody> <tr> <td>4 PLACES</td> <td>±.005</td> <td>±.0004</td> </tr> <tr> <td>3 PLACES</td> <td>±.008</td> <td>±.0003</td> </tr> <tr> <td>2 PLACES</td> <td>±0.10</td> <td>±.004</td> </tr> <tr> <td>1 PLACE</td> <td>±0.3</td> <td>±.012</td> </tr> <tr> <td>0 PLACE</td> <td>±</td> <td>±</td> </tr> </tbody> </table> ANGULAR ± 3 ° DRAFT WHERE APPLICABLE MUST REMAIN WITHIN DIMENSIONS		mm	INCH	4 PLACES	±.005	±.0004	3 PLACES	±.008	±.0003	2 PLACES	±0.10	±.004	1 PLACE	±0.3	±.012	0 PLACE	±	±	DIMENSION STYLE MM ONLY DRAWN BY: MYANSLAMBROU CHECKED BY: DGRIFFI THS APPROVED BY: SMARCEAU	DATE: 04-27-06 DATE: 06-22-06 DATE: 06-22-06	TITLE MX150 2X2 BLADE SEALED ASSEMBLY MAT SEAL 	SCALE 3:1	DESIGN UNITS METRIC	THIRD ANGLE PROJECTION 	MATERIAL NO. SEE BOM	DOCUMENT NO. SD-33482-041	SHEET NO. 1 OF 5
		mm	INCH																										
	4 PLACES	±.005	±.0004																										
	3 PLACES	±.008	±.0003																										
2 PLACES	±0.10	±.004																											
1 PLACE	±0.3	±.012																											
0 PLACE	±	±																											
THIS DRAWING CONTAINS INFORMATION THAT IS PROPRIETARY TO MOLEX INCORPORATED AND SHOULD NOT BE USED WITHOUT WRITTEN PERMISSION																													
INSPECTION NUMBER LOG																													
LAST NUMBER USED: ADDED: REMOVED:																													

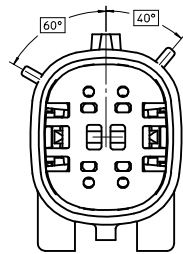
KEY CONFIGURATIONS



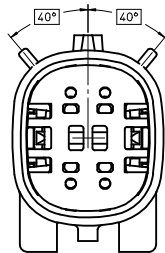
KEY A



KEY B



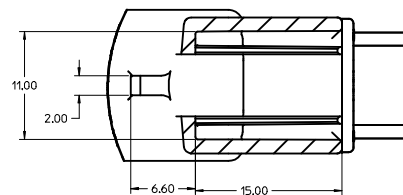
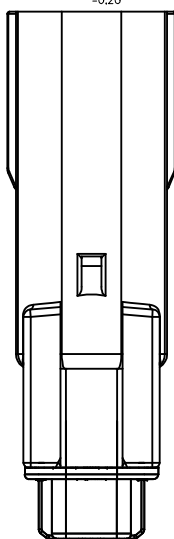
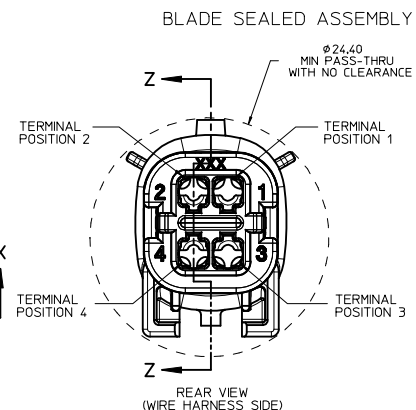
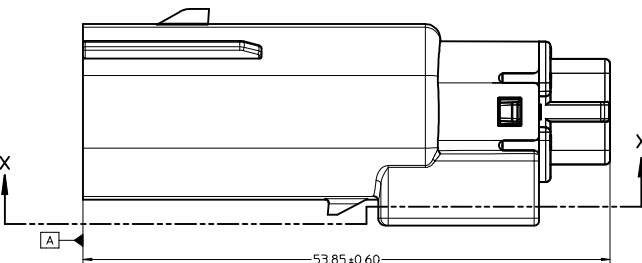
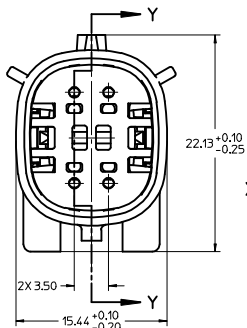
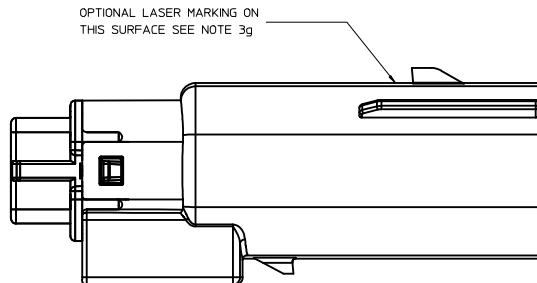
KEY C



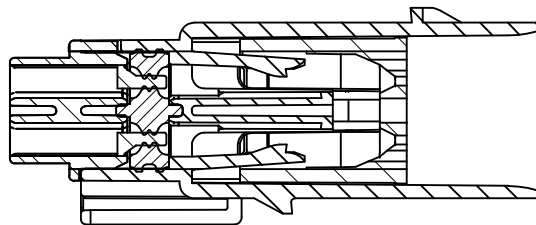
KEY D

REVISED IEC NO. UAU2016-0465 DRAWN: PROFFITT 2015/10/06 CHECKED: BRUSZENSKI 2015/10/06 APPR: IKOSHY 2015/10/07	QUALITY SYMBOLS	GENERAL TOLERANCES (UNLESS SPECIFIED)	DIMENSION STYLE	SCALE	DESIGN UNITS	THIRD ANGLE PROJECTION
	▽=0	mm INCH	MM ONLY	4:1	METRIC	☉
	▽=0	4 PLACES ± --- ± ---	DRAWN BY	DATE	TITLE	
	▽=0	3 PLACES ± 0.10 ± ---	MYANSLAMBROU	04-27-06	MX150 2X2 BLADE SEALED ASSEMBLY MAT SEAL	
▽=0	2 PLACES ± 0.3 ± ---	1 PLACE ± ±	CHECKED BY	DATE	MATERIAL NO.	
	ANGULAR ± 3 °	DRAFT WHERE APPLICABLE MUST REMAIN WITHIN DIMENSIONS	DGRIFITHS	06-22-06	SD-33482-041	
			APPROVED BY	DATE	DOCUMENT NO.	
			SMARCEAU	06-22-06	SD-33482-041	
			SIZE	THIS DRAWING CONTAINS INFORMATION THAT IS PROPRIETARY TO MOLEX INCORPORATED AND SHOULD NOT BE USED WITHOUT WRITTEN PERMISSION		
			D	SEE BOM		
				SHEET NO. 2 OF 5		



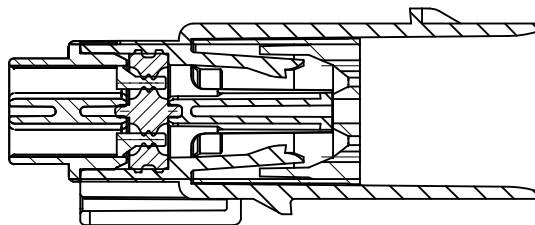


PARTIAL X-X  
SCALE 4:1



PRIMARY LOCK REINFORCER (PLR) SHOWN  
IN PRE-STAGED POSITION

SECTION Z-Z



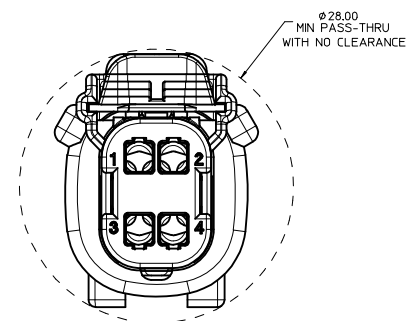
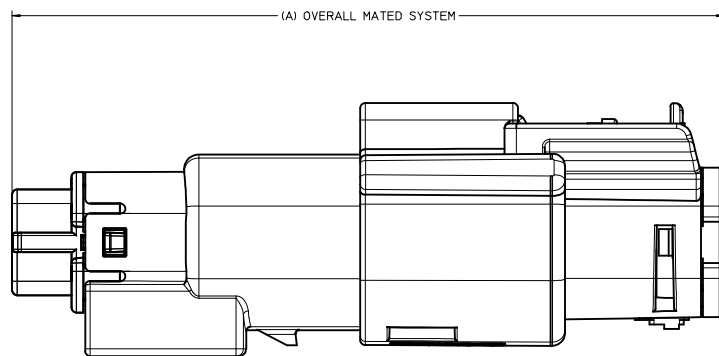
PRIMARY LOCK REINFORCER (PLR) SHOWN  
IN FINAL LOCK POSITION

SECTION Y-Y

<b>REVISED</b> IEC NO. UAU2016-0465 DRAWN BY: 2015/10/06 CHYKORUSZENSKI 2015/10/06 APPR: VIKOSHY 2015/10/07 REVISION DESCRIPTION	QUALITY SYMBOLS	GENERAL TOLERANCES (UNLESS SPECIFIED)	DIMENSION STYLE	SCALE	DESIGN UNITS	THIRD ANGLE PROJECTION	
	∇=0 ∇=0 ∇=0	mm INCH 4 PLACES ± --- ± --- 3 PLACES ± --- ± --- 2 PLACES ± 0.10 ± --- 1 PLACE ± 0.3 ± --- 0 PLACE ± ±	MM ONLY	4:1	METRIC	DRAWN BY: MYANSLAMBROU CHECKED BY: DGRIFITHS APPROVED BY: SMARCEAU DATE: 04-27-06 DATE: 06-22-06 DATE: 06-22-06	TITLE: MX150 2X2 BLADE SEALED ASSEMBLY MAT SEAL molex DOCUMENT NO. SD-33482-041
	ANGULAR ± 3 ° DRAFT WHERE APPLICABLE MUST REMAIN WITHIN DIMENSIONS	MATERIAL NO. SEE BOM SIZE D	SHEET NO. 3 OF 5	THIS DRAWING CONTAINS INFORMATION THAT IS PROPRIETARY TO MOLEX INCORPORATED AND SHOULD NOT BE USED WITHOUT WRITTEN PERMISSION			

20 19 18 17 16 15 14 13 12 11 10 9 8 7 6 5 4 3 2 1

SYSTEM PACKAGING



CHARTED DIMENSIONS		
RECEPTACLE ASSY PART NUMBER	CONFIGURATION	A
33472-0401 THRU 33472-0452	MX150 2X2 RECEPTACLE SEALED ASSEMBLY - STANDARD	72.78
33472-4401 THRU 33472-4412	MX150 2X2 RECEPTACLE SEALED ASSEMBLY - LENGTHENED	77.21

<b>REVISED</b> IEC NO. UAU2016-0465 DRAWN BY: APPOFFITT 2015/10/06 CHECKED BY: KBRUSZENSKI 2015/10/06 APPR: IKOSHY 2015/10/07	QUALITY SYMBOLS ∇=0 ∇=0 ∇=0	GENERAL TOLERANCES (UNLESS SPECIFIED) mm INCH 4 PLACES ± --- ± --- 3 PLACES ± --- ± --- 2 PLACES ± 0.10 ± --- 1 PLACE ± 0.3 ± --- 0 PLACE ± ± ANGULAR ± 3 ° DRAFT WHERE APPLICABLE MUST REMAIN WITHIN DIMENSIONS	DIMENSION STYLE MM ONLY DRAWN BY: MYANSLAMBROU 04-27-06 CHECKED BY: DGRIFITHS 06-22-06 APPROVED BY: SMARCEAU 06-22-06	SCALE 4:1 DESIGN UNITS METRIC THIRD ANGLE PROJECTION	TITLE MX150 2X2 BLADE SEALED ASSEMBLY MAT SEAL <b>molex</b>	MATERIAL NO. SEE BOM	DOCUMENT NO. SD-33482-041	SHEET NO. 4 OF 5

19 18 17 16 15 14 13 12 11 10 9 8 7 6 5 4 3 2 1

ASSEMBLY PART NUMBER	COLOR	KEYING OPTION	CAVITY TYPE & STATUS (X = PLUGGED)				STATUS	COMMENTS
			1	2	3	4		
33482-0401	BLACK	A						
33482-0402	LIGHT GRAY	B						
33482-0403	BROWN	C						
33482-0404	GREEN	D						
33482-0406	BLACK	A		X				
33482-0407	LIGHT GRAY	B		X				
33482-0408	BROWN	C		X				
33482-0409	GREEN	D		X				
33482-0411	BLACK	A		X	X			
33482-0412	LIGHT GRAY	B		X	X			
33482-0413	BROWN	C		X	X			
33482-0414	GREEN	D		X	X			
33482-0416	BLACK	A	X	X	X	X		
33482-0417	LIGHT GRAY	B	X	X	X	X		
33482-0418	BROWN	C	X	X	X	X		
33482-0419	GREEN	D	X	X	X	X		
33482-0421	BLACK	A	X	X	X			
33482-0422	BLACK	A					X	
33482-0423	BLACK	A					X	X
33482-0424	BLACK	A					X	
33482-0425	BLACK	A	X	X				
33482-4403	DARK GRAY	C						
33482-4404	STONE GRAY	D						
33482-4405	DARK GRAY	C		X				
33482-4406	STONE GRAY	D		X				
33482-4407	DARK GRAY	C		X	X			
33482-4408	STONE GRAY	D		X	X			
33482-4409	DARK GRAY	C	X	X	X	X		
33482-4410	STONE GRAY	D	X	X	X	X		
33482-4411	BLACK	A		X			X	
33482-4412	YELLOW	A						
33482-4413	LIGHT GRAY	B	X					
33482-4415	BLACK	A	X				X	
33482-4416	DARK GRAY	C		X			X	
33482-4417	LIGHT GRAY	B		X			X	

PLANNED OBSOLESCENCE  
SEE DRAWING SD-33482-0002  
FOR REPLACEMENT P/N

REPLACEMENT P/N'S ARE:  
33482-04XX TO 33482-40XX  
33482-44XX TO 33482-41XX

<b>REVISED</b> IEC NO. UAU2016-0465 DRAWN BY: CHYKORUSZENSKI 2015/10/06 CHECKED BY: APPR:VKOSHY 2015/10/07 REV:	QUALITY SYMBOLS	GENERAL TOLERANCES (UNLESS SPECIFIED)	DIMENSION STYLE	SCALE	DESIGN UNITS	THIRD ANGLE PROJECTION
	▽=0	mm INCH	MM ONLY		METRIC	
	▽=0	4 PLACES ± 0.10		DRAWN BY: MYANSLAMBROU 04-27-06		TITLE: MX150 2X2 BLADE SEALED ASSEMBLY MAT SEAL
	▽=0	3 PLACES ± 0.03		CHECKED BY: DGRIFITHS 06-22-06		
		ANGULAR ± 3°		APPROVED BY: SMARCEAU 06-22-06		
		DRAFT WHERE APPLICABLE MUST REMAIN WITHIN DIMENSIONS		MATERIAL NO. SEE BOM	DOCUMENT NO. SD-33482-041	SHEET NO. 5 OF 5
			SIZE D	THIS DRAWING CONTAINS INFORMATION THAT IS PROPRIETARY TO MOLEX INCORPORATED AND SHOULD NOT BE USED WITHOUT WRITTEN PERMISSION		