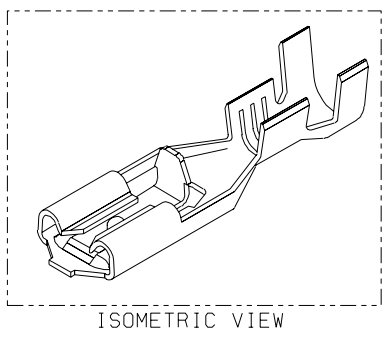
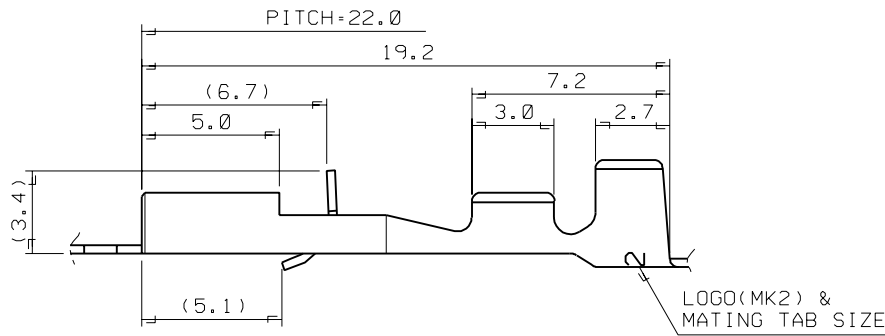
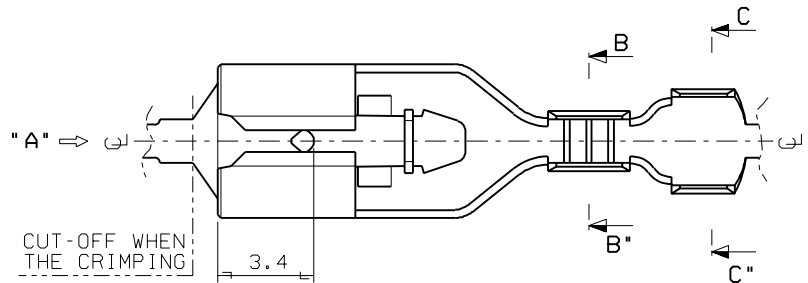


DWG. NO. SD 35068-9722

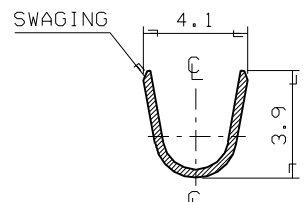
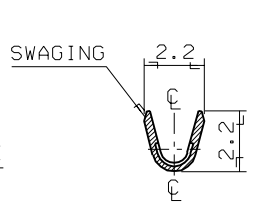
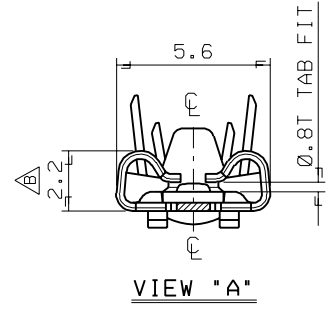
SIMILAR ITEM

PROJECT NO. .187 MP-LOCK CONN'

DO NOT SCALE DRAWING DIMENSION IN METRIC



- NOTES
1. MATERIAL : BRASS, Ø.3MM THICKNESS
 2. FINISH : PRE-PLATED TIN
 3. MATING TAB THICKNESS : Ø.8MM
 4. RECOMMENDED LENGTH OF WIRE STRIP IS 4.4-5.0MM.
 5. APPLICABLE WIRE : AWG #22-#20
INSULATION DIA. : Ø1.5-2.7MM
 6. CRIMPING SPECIFICATION : CS35068



Ø.8
MK2

REVISED	EC NO. KOR1998-0140 DRWN: J.S.KANG 98/11/12 CHK: B.K.CHOI APPR: C.W.LEE	DESCRIPTION MAJOR CRITICAL	QUALITY SYMBOLS		GENERAL TOLERANCES: (UNLESS SPECIFIED)	SCALE 6/1	DESIGN UNITS <input checked="" type="checkbox"/> mm <input type="checkbox"/> INCH	THIRD ANGLE PROJECTION	DIMENSIONS:			SHT	REV
			<input type="checkbox"/> mm <input type="checkbox"/> INCH	<input checked="" type="checkbox"/> mm ONLY					REVISE ON CAD ONLY				
B	REV		4 PLACES	±0.	±.	DRAWN BY & DATE J.S.KANG 98/01/21		TITLE: .187 MP-LOCK TERMINAL(S) (FOR Ø.8T TAB)					
			3 PLACES	±0.	±.	CHECKED BY & DATE B.K.CHOI 98/01/21							
			2 PLACES	±0.2	±.	APPROVED BY & DATE C.W.LEE 98/01/21		MOLEX INCORPORATED KOREA					
			1 PLACE	±0.3	±.	CAD FILENAME S35068F.DGN							MATERIAL NO. 35068-9722
DRAFT WHERE APPLICABLE MUST REMAIN WITHIN DIMENSIONS						THIS DRAWING CONTAINS INFORMATION THAT IS PROPRIETARY TO MOLEX INCORPORATED AND SHOULD NOT BE USED WITHOUT WRITTEN PERMISSION.							