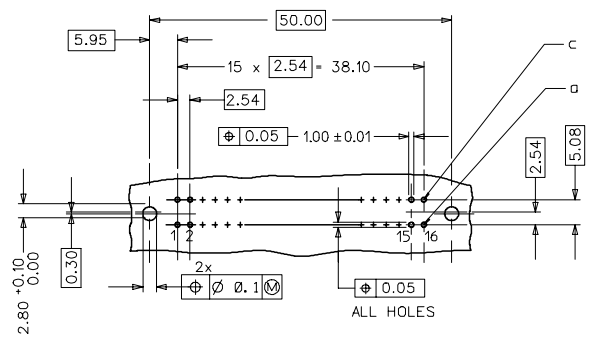
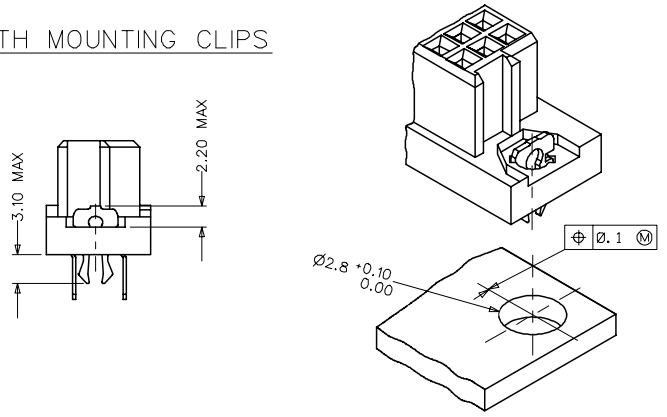


RECOMMENDED PCB LAYOUT  
COMPONENT SIDE



WITH MOUNTING CLIPS



- NOTES:
- 1) MATERIALS: THERMOPLASTIC POLYESTER, GLASS FILLED, UL94V-0. COLOUR: PEBBLE GREY RAL 7032  
TERMINAL - PHOSPHOR BRONZE  
MOUNTING CLIP: STEEL
  - 2) FINISH: TERMINAL:-  
CONTACT AREA  
1. PERFORMANCE LEVEL 1: SELECTIVE GOLD (Au), THICKNESS = 1.1 MICROMETER  
OVER NICKEL, THICKNESS = 1.5 MICROMETER  
2. PERFORMANCE LEVEL 2: SELECTIVE GOLD (Au), THICKNESS = 0.6 MICROMETER  
OVER NICKEL, THICKNESS = 1.5 MICROMETER  
3. PERFORMANCE LEVEL 3: SELECTIVE GOLD (Au), THICKNESS = 0.3 MICROMETER  
OVER NICKEL, THICKNESS = 1.5 MICROMETER  
TERMINATION AREA:  
SELECTIVE TIN, THICKNESS = 5 MICROMETER  
OVER NICKEL, THICKNESS = 1.5 MICROMETER OVERALL
  - 3) MOUNTING CLIP:-  
TIN (Sn), THICKNESS = 5-10 MICROMETER,  
OVER NICKEL (Ni), THICKNESS = 2.5 MICROMETER
  - 4) FOR NON MOUNTING CLIP OPTION, CONNECTOR TO BE SECURED WITH  
RIVETS: 2 TUBULAR RIVETS 2.5 x 0.3 ... DIN 7340  
SCREWS: 2 CHEESEHEAD SCREWS M2.5 x ... DIN 84 AND 2 HEXAGONAL NUTS M2.5 DIN 934
  - 5) MATERIAL No, BATCH CODE, UL AND CSA MARKING TO BE PRINTED ON THE CONNECTOR.
  - 6) CUT FACES OF TIP WITHOUT PLATING PERMITTED.
  - 7) PRODUCT SPECIFICATION PS-36500-001

RoHS COMPLIANT

<b>ENTER DESCRIPTION</b> ELC INC 2007/04/24 2006/10/10 DRWNGSATTI/MARAD 2006/10/11 CHKD/SSUDHIR 2006/10/10 APPR/SSUDHIR 2006/10/10	<b>QUALITY SYMBOLS</b> ▽=0 ▽=0	<b>GENERAL TOLERANCES (UNLESS SPECIFIED)</b>		<b>DIMENSION STYLE</b> MM ONLY		SCALE 2:1	DESIGN UNITS METRIC	THIRD ANGLE PROJECTION	
		4 PLACES ± --- ± --- 3 PLACES ± 0.005 ± --- 2 PLACES ± 0.1 ± --- 1 PLACE ± 0.15 ± ---	mm INCH	DRAWN BY SHANKAR	DATE 2006/04/25	TITLE ASSY DIN41612 C/2 FEMALE 32 POS 1.0MM PCB DIA A+C LOADED	MOLEX INCORPORATED		
<b>DRAFT WHERE APPLICABLE MUST REMAIN WITHIN DIMENSIONS</b>	SEE SHEET 2	MATERIAL NO. SD-36501-0003		DOCUMENT NO.		SHEET NO. 1 OF 2		THIS DRAWING CONTAINS INFORMATION THAT IS PROPRIETARY TO MOLEX INCORPORATED AND SHOULD NOT BE USED WITHOUT WRITTEN PERMISSION	

	20	19	18	17	16	15	14	13	12	11	10	9	8	7	6	5	4	3	2	1
	MATERIAL No	MOLEX ENG No	PERF LEVEL	PLATING	CONTACT SEQUENCE/ROW	DIM "L" mm	MOUNTING CLIP	FLUX PROOF												
	36501-0097	MM-B2401-C483	1	Au+Ni	1.2.3....16 a+c	2.9	NO	NO												
	36501-0098	MM-B2501-C483	2	Au+Ni	1.2.3....16 a+c	2.9	NO	NO												
	36501-0099	MM-B2601-C483	3	Au+Ni	1.2.3....16 a+c	2.9	NO	NO												
L	36501-0103	MM-B2401-C413	1	Au+Ni	1.2.3....16 a+c	2.9	YES	NO												
	36501-0104	MM-B2501-C413	2	Au+Ni	1.2.3....16 a+c	2.9	YES	NO												
	36501-0105	MM-B2601-C413	3	Au+Ni	1.2.3....16 a+c	2.9	YES	NO												
	36501-0109	MM-B2401-C483-133	1	Au+Ni	1.2.3....16 a+c	2.9	NO	YES												
	36501-0110	MM-B2501-C483-133	2	Au+Ni	1.2.3....16 a+c	2.9	NO	YES												
K	36501-0111	MM-B2601-C483-133	3	Au+Ni	1.2.3....16 a+c	2.9	NO	YES												
	36501-0115	MM-B2401-C413-133	1	Au+Ni	1.2.3....16 a+c	2.9	YES	YES												
	36501-0116	MM-B2501-C413-133	2	Au+Ni	1.2.3....16 a+c	2.9	YES	YES												
	36501-0117	MM-B2601-C413-133	3	Au+Ni	1.2.3....16 a+c	2.9	YES	YES												
J	36501-0121	MM-B2402-C483	1	Au+Ni	1.2.3....16 a+c	4.5	NO	NO												
	36501-0122	MM-B2502-C483	2	Au+Ni	1.2.3....16 a+c	4.5	NO	NO												
	36501-0123	MM-B2602-C483	3	Au+Ni	1.2.3....16 a+c	4.5	NO	NO												
	36501-0127	MM-B2402-C413	1	Au+Ni	1.2.3....16 a+c	4.5	YES	NO												
	36501-0128	MM-B2502-C413	2	Au+Ni	1.2.3....16 a+c	4.5	YES	NO												
I	36501-0129	MM-B2602-C413	3	Au+Ni	1.2.3....16 a+c	4.5	YES	NO												
	36501-0133	MM-B2402-C483-133	1	Au+Ni	1.2.3....16 a+c	4.5	NO	YES												
	36501-0134	MM-B2502-C483-133	2	Au+Ni	1.2.3....16 a+c	4.5	NO	YES												
	36501-0135	MM-B2602-C483-133	3	Au+Ni	1.2.3....16 a+c	4.5	NO	YES												
H	36501-0139	MM-B2402-C413-133	1	Au+Ni	1.2.3....16 a+c	4.5	YES	YES												
	36501-0140	MM-B2502-C413-133	2	Au+Ni	1.2.3....16 a+c	4.5	YES	YES												
	36501-0141	MM-B2602-C413-133	3	Au+Ni	1.2.3....16 a+c	4.5	YES	YES												

RoHS COMPLIANT

<b>ENTER DESCRIPTION</b> ELC.NCL.12007.0044 B1 DRWNGSATTI/MARAD 2006/10/10 CHKD/SSUDHIR 2006/10/11 APPR/SSUDHIR 2006/10/16	<b>QUALITY SYMBOLS</b> 	<b>GENERAL TOLERANCES (UNLESS SPECIFIED)</b> <table border="1"> <tr> <th></th> <th>mm</th> <th>INCH</th> </tr> <tr> <td>4 PLACES</td> <td>±---</td> <td>±---</td> </tr> <tr> <td>3 PLACES</td> <td>±---</td> <td>±---</td> </tr> <tr> <td>2 PLACES</td> <td>±---</td> <td>±---</td> </tr> <tr> <td>1 PLACE</td> <td>±---</td> <td>±---</td> </tr> <tr> <td colspan="3">ANGULAR ±---°</td> </tr> </table>		mm	INCH	4 PLACES	±---	±---	3 PLACES	±---	±---	2 PLACES	±---	±---	1 PLACE	±---	±---	ANGULAR ±---°			<b>DIMENSION STYLE</b> MM ONLY	<b>SCALE</b> ---	<b>DESIGN UNITS</b> METRIC	<b>THIRD ANGLE PROJECTION</b>
		mm	INCH																					
	4 PLACES	±---	±---																					
	3 PLACES	±---	±---																					
2 PLACES	±---	±---																						
1 PLACE	±---	±---																						
ANGULAR ±---°																								
<b>DESCRIPTION</b> ASSY DIN41612 C/2 FEMALE 32 POS 1.0MM PCB DIA A+C LOADED	<b>DRAWN BY</b> SHANKAR	<b>DATE</b> 2006/04/25	<b>TITLE</b> ASSY DIN41612 C/2 FEMALE 32 POS 1.0MM PCB DIA A+C LOADED																					
<b>DRAFT WHERE APPLICABLE MUST REMAIN WITHIN DIMENSIONS</b>	<b>CHECKED BY</b> SSUDHIR	<b>DATE</b> 2006/04/25	<b>APPROVED BY</b> SSUDHIR	<b>DATE</b> 2006/04/25																				
<b>SIZE</b> A 1	<b>SEE CHART</b>	<b>MATERIAL NO.</b> SD-36501-0003	<b>DOCUMENT NO.</b> SD-36501-0003	<b>MOLEX INCORPORATED</b>	<b>SHEET NO.</b> 2 OF 2																			