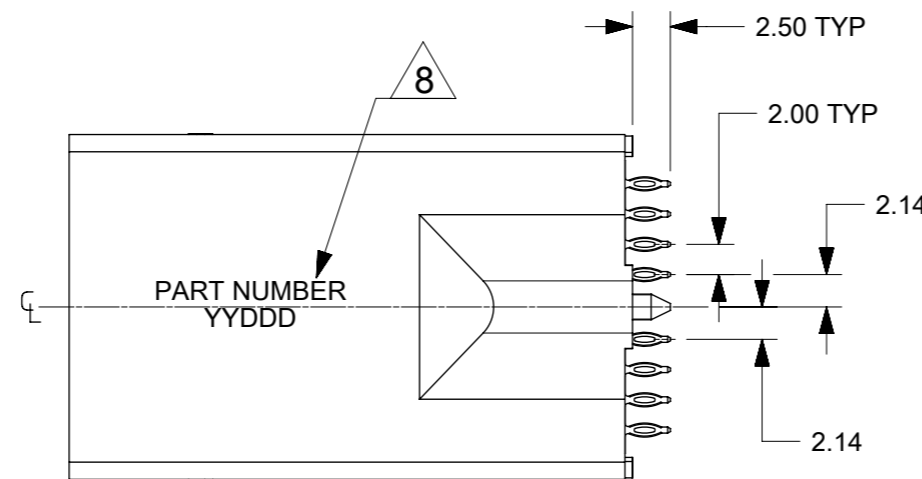
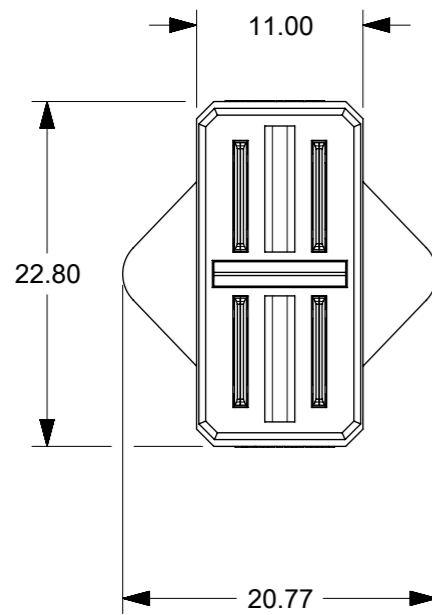
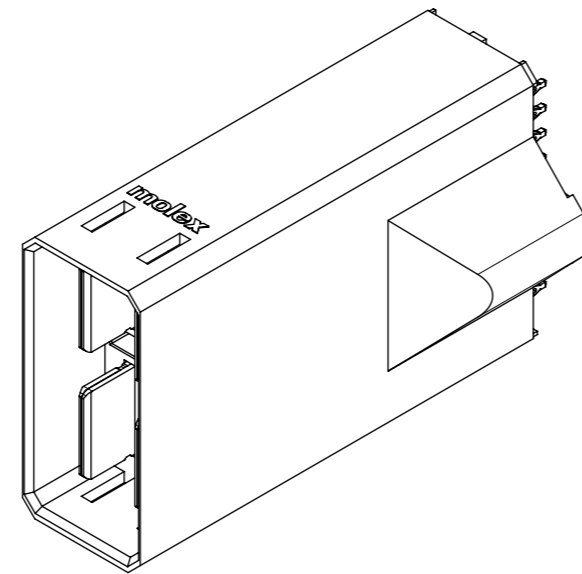
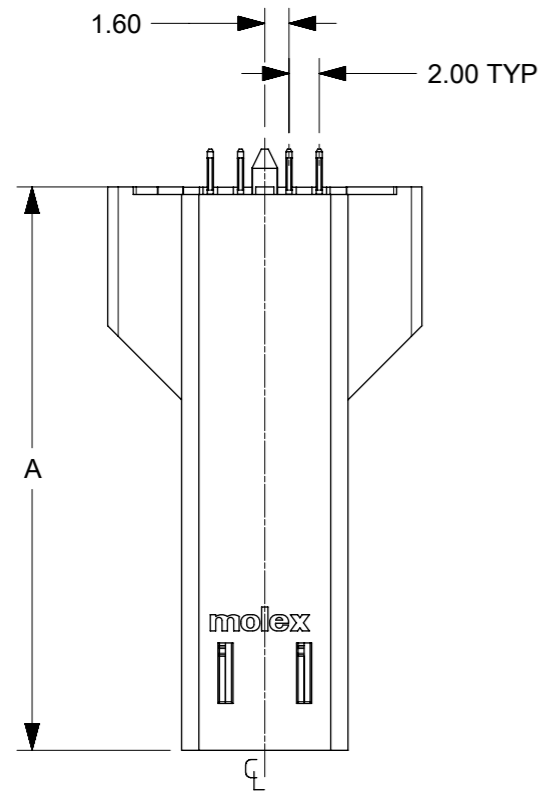


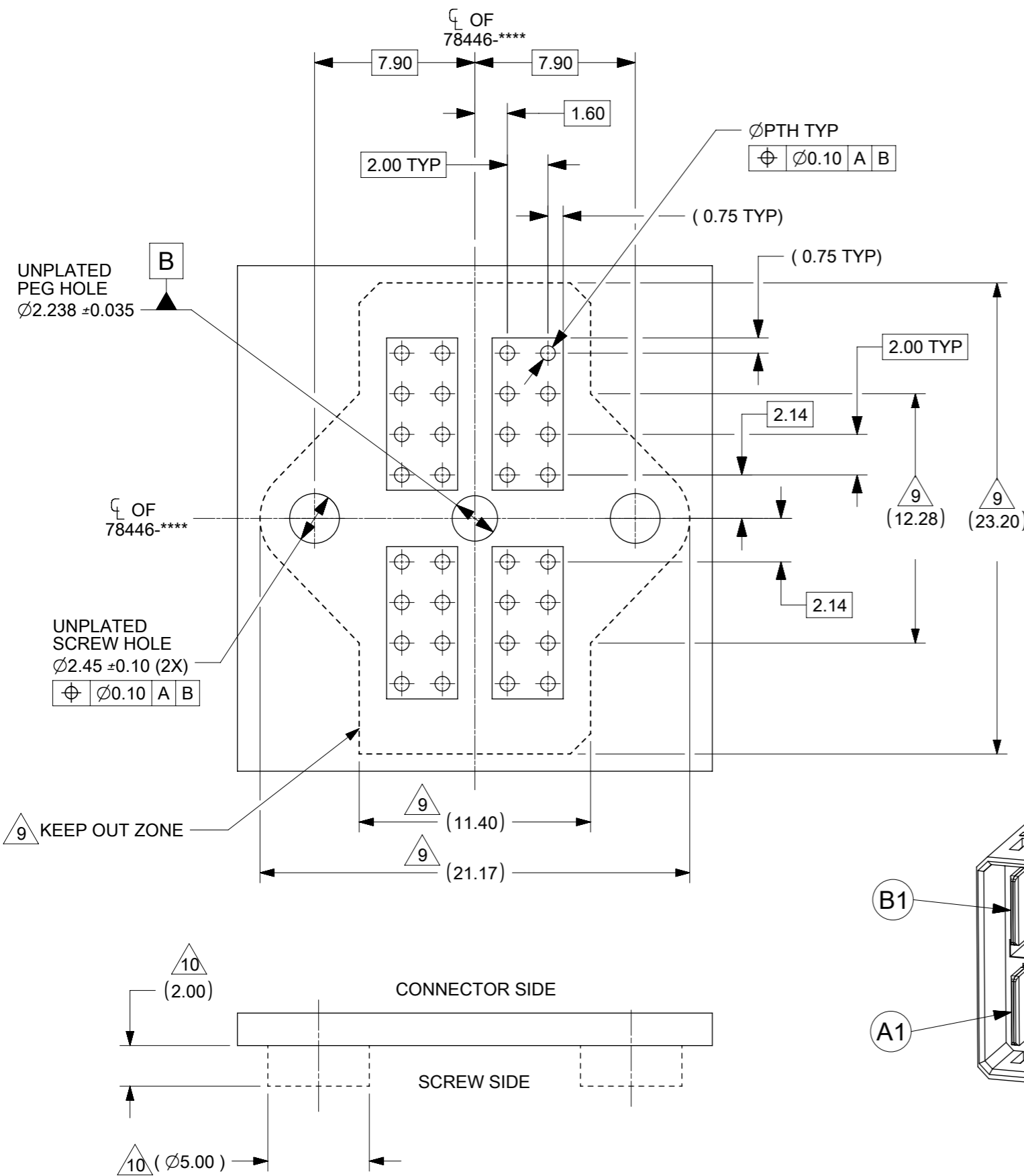
PART NUMBER	STACK HEIGHT	DIMENSION A	PLATING OPTIONS	PACKAGING
78446-3222	32	29.25	TIN PLATING	TRAY
78446-3822	38	35.25		
78446-1022	40	37.25		



NOTES:

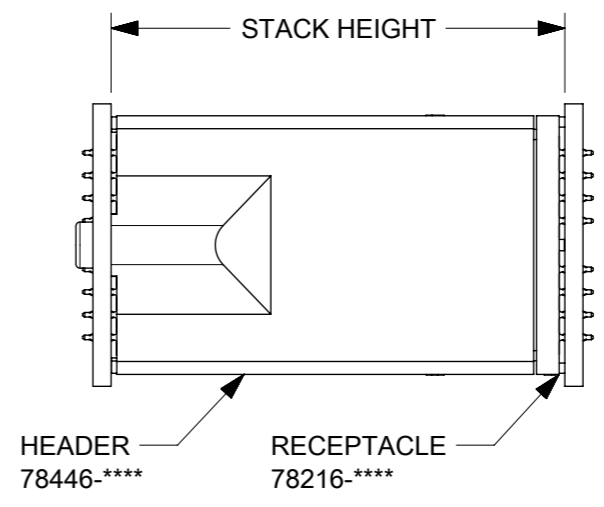
- MATERIAL:
HOUSING - LCP, GLASS FILLED, UL94-V0, COLOR: BLACK
POWER PIN - COPPER ALLOY
- FINISHES:
TIN - 0.76 μ m MINIMUM GOLD AT CONTACT AND
2.54 μ m MINIMUM TIN AT SOLDER TAIL AREA OVER
1.27 μ m MINIMUM NICKEL UNDERPLATE OVERALL.
- PRODUCT SPECIFICATION: PS-78213-001.
- PACKAGING SPECIFICATION: PK-78446-001.
- MATES WITH 78216-****.
- REFER SHEET 2 FOR RECOMMENDED PCB LAYOUT.
- REFER TO MOLEX PRODUCT SPECIFICATION PS-78213-001 FOR PLATED THROUGH-HOLE SPECIFICATIONS.
- PART NUMBER AND DATE CODE (YYDDD) APPROXIMATELY SHOWN.
- KEEP OUT ZONE FROM OTHER COMPONENTS.
- PARTS ARE SHIPPED WITH #2-32 TYPE AB SELF-TAPPING SCREW PART NUMBER 73726-0000.

THIS DRAWING CONTAINS INFORMATION THAT IS PROPRIETARY TO MOLEX ELECTRONIC TECHNOLOGIES, LLC AND SHOULD NOT BE USED WITHOUT WRITTEN PERMISSION											
DIMENSION UNITS		SCALE		CURRENT REV DESC: MIGRATED TO NX							
mm		NTS									
GENERAL TOLERANCES (UNLESS SPECIFIED)										EC NO: 611162 DRWN: RSHIVANANDKE 2019/01/02 CHK'D: ABN 2019/02/01 APPR: CWANG25 2019/02/27	
ANGULAR TOL \pm 3.0°				IMPACT POWER, 5 PAIR VERTICAL HEADER PRODUCT CUSTOMER DRAWING							
4 PLACES \pm				INITIAL REVISION:		DOCUMENT NUMBER		DOC TYPE		DOC PART	REVISION
3 PLACES \pm				DRWN: KJKOH 2008/10/09		SD-78446-001		PSD		001	E1
2 PLACES \pm 0.25				APPR: SHONG 2008/10/09		MATERIAL NUMBER		CUSTOMER		SHEET NUMBER	
1 PLACE \pm				DRAFT WHERE APPLICABLE MUST REMAIN WITHIN DIMENSIONS		SEE TABLE		GENERAL MARKET		1 OF 2	
0 PLACES \pm				THIRD ANGLE PROJECTION		DRAWING		SERIES		MATERIAL NUMBER	
						A3-SIZE		78446		SEE TABLE	

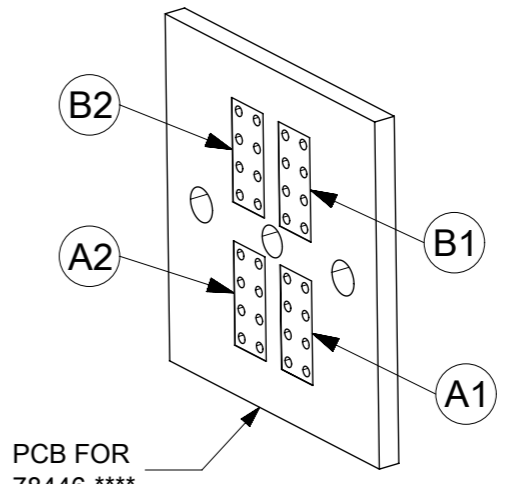
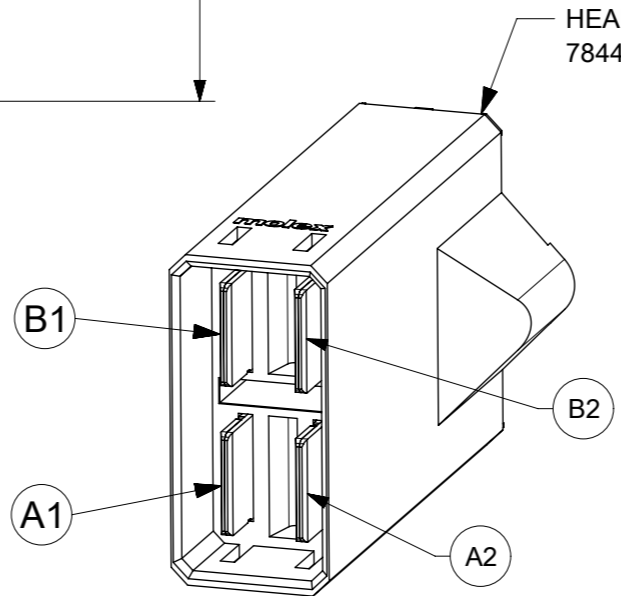
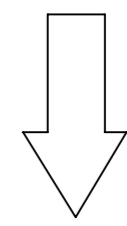
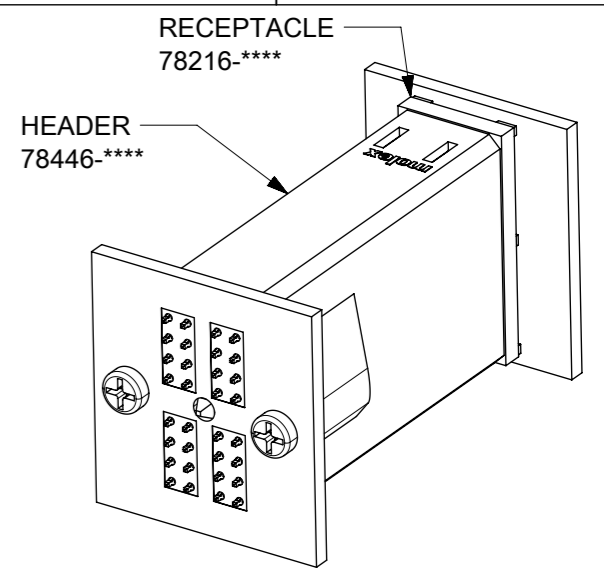


RECOMMENDED PCB LAYOUT
(COMPONENT SIDE SHOWN)
BOARD THICKNESS: 1.60mm to 4.40mm

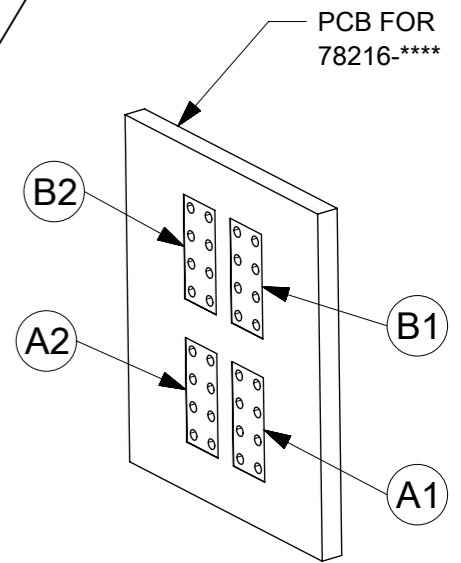
PIN NUMBER ASSIGNMENT
BASED ON HEADER SIDE:
A1, B1 ON THE LEFT
A2, B2 ON THE RIGHT



5 MATED SYSTEM OF 78446 & 78216



CIRCUIT PATH OF MATED SYSTEM



THIS DRAWING CONTAINS INFORMATION THAT IS PROPRIETARY TO MOLEX ELECTRONIC TECHNOLOGIES, LLC AND SHOULD NOT BE USED WITHOUT WRITTEN PERMISSION									
DIMENSION UNITS		SCALE		CURRENT REV DESC: MIGRATED TO NX					
mm		NTS		<p>IMPACT POWER, 5 PAIR VERTICAL HEADER</p> <p>PRODUCT CUSTOMER DRAWING</p>					
GENERAL TOLERANCES (UNLESS SPECIFIED)									
ANGULAR TOL		± 3.0 °							
4 PLACES		±							
3 PLACES		±							
2 PLACES		± 0.25							
1 PLACE		±		INITIAL REVISION:		DOCUMENT NUMBER		DOC TYPE	
0 PLACES		±		DRWN: KJKOH		2008/10/09		SD-78446-001	
DRAFT WHERE APPLICABLE MUST REMAIN WITHIN DIMENSIONS		THIRD ANGLE PROJECTION		DRAWING		SERIES		MATERIAL NUMBER	
				A3-SIZE		78446		SEE TABLE	
				CUSTOMER		GENERAL MARKET		SHEET NUMBER	
								2 OF 2	